

# **ROOF BOX INSTRUCTIONS**

## *Fitting Instructions for CRG3 Roof Box*

### **Pack Contains**

---

1 x Roof Box	4 x 65 x 60 U-bolts
1 x Instructions	8 x Plastic Knobs
2 x Keys	30 x Plastic Plugs
2 x Tie Down Straps	
4 x Metal Mounting Plates	
4 x Plastic Mounting Plates	
4 x 100 x 60 U-bolts	

Remove parts from box & check  
Contact your Prorack dealer if any parts are missing or damaged

### **Items you will require that are not included:**

---

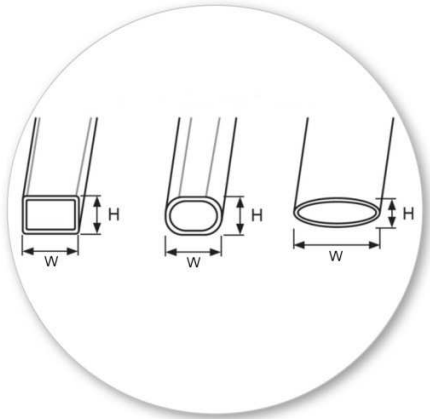
- Tape measure
- Step ladder (for taller vehicles)

### **Fitting Notes:**

---

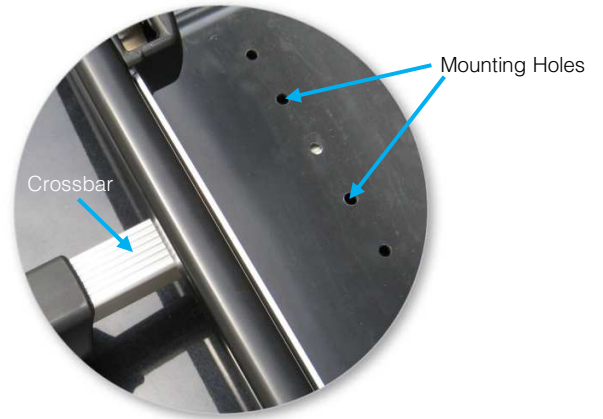
- Please read these instructions carefully before installing roof box
- Roof box can be installed on to crossbars with a maximum width of 92mm and height of 40mm
- Minimum spacing between crossbars should be not less than 510mm
- Roof box should be placed on the crossbars with the pointy end of the box facing forwards
- For safety reasons, we recommend that you install the roof box with the assistance of another person

## 1. Attaching Roof Box to Crossbars with width less than 60mm



1.1

- This part of instructions applies for installation on to crossbars of any shape with maximum dimensions: H – 40mm and W – 60mm



1.2

- Place roof box on the crossbars
- Open boot and bonnet and check their clearance with the roof box
- Move the roof box forwards, backwards and sideways until you are happy with the position
- Make sure that mounting holes on the bottom of the roof box lined up with the crossbar so that you can fit U-Bolt over the crossbar
- Check you can reach to load and unload the roof box



1.3

- Put 60 x 65 U-Bolts under the crossbar and push the threads up through the mounting holes in the bottom of the roof box.
- Repeat for all four mounting positions



1.4

- Make sure that enough of U-Bolt threads passing through the mounting holes.



1.5

- Place plastic mounting plates over the threads of the U-Bolt with tie down lug facing up
- You also can use metal mounting plates alternatively. Refer to steps 2.5 – 2.10.



1.6

- Loosely fit plastic knobs on to each threaded end of the U-Bolt inside of the roof box.



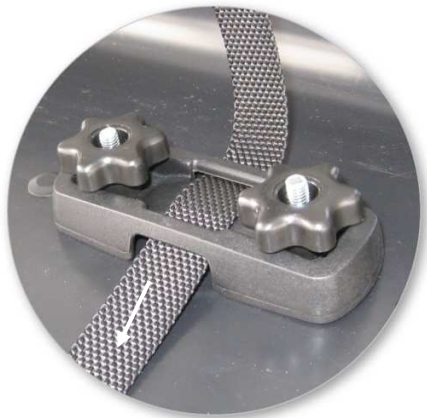
1.7

- Make sure that you satisfied with the position of your roof box
- Fully tighten plastic knobs



1.8

- Fill all unused mounting holes with plastic plugs provided.



1.9

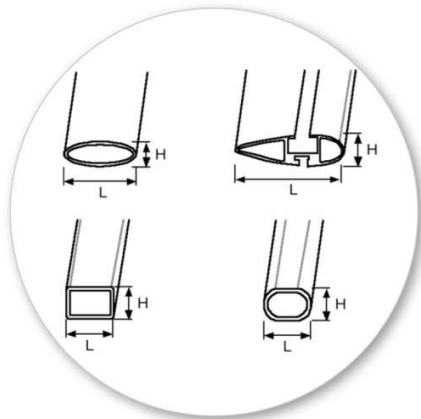
- Feed the tie down straps through the lugs on the opposite mounting plates.



1.10

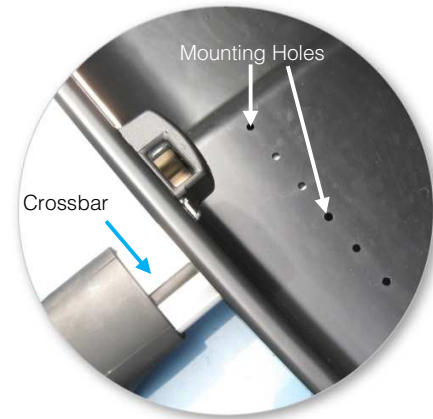
- Put tie down straps in the way so that to tighten the load you pull the strap down towards yourself.

## 2. Attaching Roof Box to Crossbars with 60mm to 92mm width



2.1

- This part of instructions applies for installation on to crossbars of any shape with maximum dimensions: H – 40mm and W – 92mm



2.2

- Place roof box on the crossbars
- Open boot and bonnet and check their clearance with the roof box
- Move the roof box forwards, backwards and sideways until you are happy with the position
- Make sure that mounting holes on the bottom of the roof box lined up with the crossbar so that you can fit U-Bolt over the crossbar
- Check you can reach to load and unload the roof box



2.3

- Put a 100 x 60 U-Bolt under the crossbar and push the threads up through the mounting holes in the bottom of the roof box.



2.4

- Make sure that enough of U-Bolt threads passing through the mounting holes.



2.5

- Place metal mounting plates over the threads of the U-Bolt with tie down lugs facing towards the walls of the roof box.



2.6

- Loosely fit plastic knobs on to the threaded top ends of the U-Bolt inside the roof box.



**2.7**

- Make sure that you are satisfied with the position of your roof box
- Fully tighten plastic knobs



**2.8**

- Fill all unused mounting holes with plastic plugs provided



**2.9**

- Feed tie down straps through the lugs on the opposite mounting plates.



**2.10**

- Put tie down straps in the way so that to tighten the load you pull the strap down towards yourself.

### Loading the Roof Box:

---

- Maximum roof box load is 50kg
- Spread the load evenly and keep it as low as possible within the roof box
- Always restrain the load with the tie down straps
- Ensure the roof box lid can close over the load
- Roof boxes are water resistant, not waterproof

### Attention:

---

- At the start of a trip check that the roof box is correctly fitted and that all the fasteners are secure
- Ensure the lid is locked and the key is removed before beginning your journey
- Check the roof box regularly during long trips
- Remember to allow for extra height because of the roof box fitted to your vehicle
- Record your key number and keep instructions in a safe place

Your Key Number is					

### Driving and Braking:

---

- Adjust your speed to allow for the roof box
- The vehicle handling characteristics will change due to the roof box and its load
- A longer braking distance will be required

### Care & Maintenance:

---

- For security and fuel economy reasons it is advisable to remove the roof box when it is not required
- Clean the roof box using water and car detergent only
- Do not enter an automatic car wash with roof box fitted
- When not in use, store your roof box in a clean dry place



## Warranty and Disclaimer

---

- 1 Where the product is supplied to the customer for other than business purposes within the meaning of section 43 of the New Zealand Consumer Guarantees Act 1993, the provisions of that Act shall apply. It is important that anyone who fits or uses this product does so in accordance with the manufacturers instructions.
- 2 Where the product is supplied to the customer for business purposes within the meaning of section 43 of the New Zealand Consumer Guarantees Act 1993, the provisions of that Act shall have no effect and the clauses below shall apply. Where the product is supplied and purchased in Australia, the following shall apply:
  - a) THE SUPPLIER WARRANTS the product to be free from defects in materials and/or workmanship for a period of two (2) years from the date of original purchase (the warranty period). Proof of purchase is required. Subject to the limitations and exclusions set out below, the Supplier hereby agrees to remedy any defects in materials or workmanship becoming apparent during the warranty period, by replacing or repairing any defective product or component (at its option) free of charge to the purchaser in respect of replacement parts or labour. Any defective product or component must be notified and where practicable, returned at the purchaser's expense to the Supplier immediately upon discovery of the alleged defect and no attempt made on the part of the purchaser to repair it.
  - b) EXCEPTIONS, EXCLUSIONS AND LIMITATIONS TO WARRANTY. The product and/or its components must be fitted/assembled in accordance with the Supplier's written instructions. This warranty does not cover defects, loss or damage resulting from circumstances beyond the Supplier's control including, but not limited to misuse, overloading, or failure to assemble and/or fit the product or component in accordance with the Supplier's written instructions. Nor does the warranty cover defects, loss or damage resulting from accidents, unlawful use of the vehicle or defects/inconsistencies in the vehicle on which the product or component is fitted. Liability for direct, indirect, special, punitive, incidental, exemplary, contractual or consequential damage or loss arising from defects, faulty materials or design omissions or negligence or workmanship in the product or its components is hereby expressly excluded. Certain Commonwealth legislation, including the Trade Practices Act 1974, and other State and Territorial legislation confers upon purchasers rights which cannot be excluded from or be restricted or modified by contract. Any conditions, guarantees and/or warranties implied by law and incapable of exclusion are deemed to be expressly incorporated herein. Nothing herein contained is intended nor shall be permitted to be inconsistent with any such conditions, guarantees and/or warranties. To the extent permitted by legislation all conditions, guarantees and/or warranties such as implied warranties which are capable of exclusion are hereby expressly excluded and negated.

Hubco Automotive Ltd  
46 Parkhouse Road  
PO Box 11-017  
Christchurch 8004  
New Zealand

Free phone New Zealand:  
0800 4776 722  
Free phone Australia:  
1800 143 548

Page 8 of 8