

LUGGAGE TRAY INSTRUCTIONS

Fitting Instructions for PR3056 Luggage Tray, Small

Pack Contains:

- 1 x Set of Assembly Instructions
- 2 x Side Rails
- 2 x End Rails
- 3 x Slats
- 4 x Plastic Corner Assemblies
- 1 x Bag of screws (to assemble tray)
- 1 x Boxed fitting kit (plates and hardware)

Before starting, check that the contents of the pack are complete and undamaged. Contact your supplier if any items are missing.

Items you may require that are not included:

- Phillips Screwdriver
- Tape Measure
- Step Ladder (for taller vehicles)

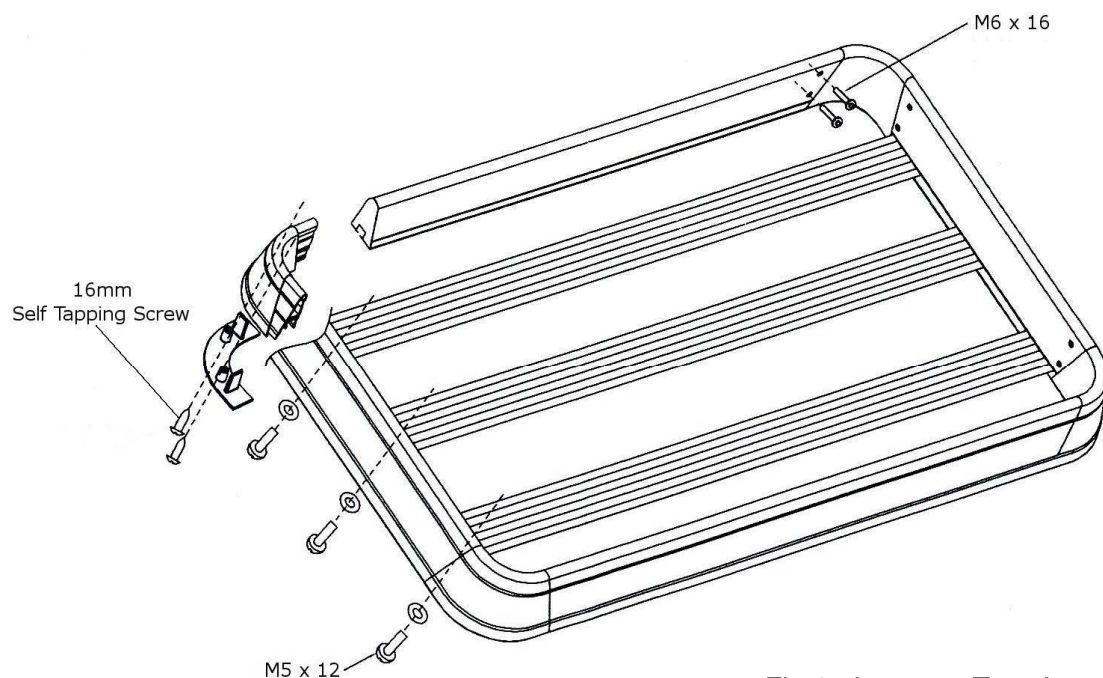


Fig 1 - Luggage Tray Assembly

1. Luggage Tray Assembly

- Refer to Fig 1
- Assemble the plastic corners
- Attach two corner assemblies to each end rail
- Attach both side rails to one end rail assembly
- Attach all three slats to this end rail
- Slide four rectangular nuts into the T-slot of both outer slats
- Attach remaining end rail assembly
- Ensure all screws are in place and secure

2. Fitting Mounting Plates to the Luggage Tray



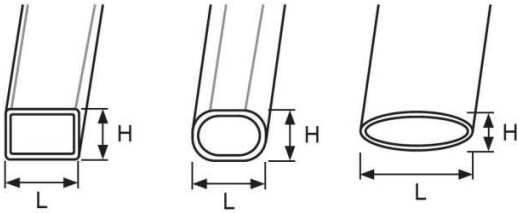
- Turn the Luggage Tray upside down on a clear surface (to avoid damaging the tray)
- Attach a Tee shaped mounting plate to the outer slat using two countersunk head screws
- Leave the screws loose at this stage
- Repeat at all four corners

3. Attaching the Luggage Tray to Crossbars

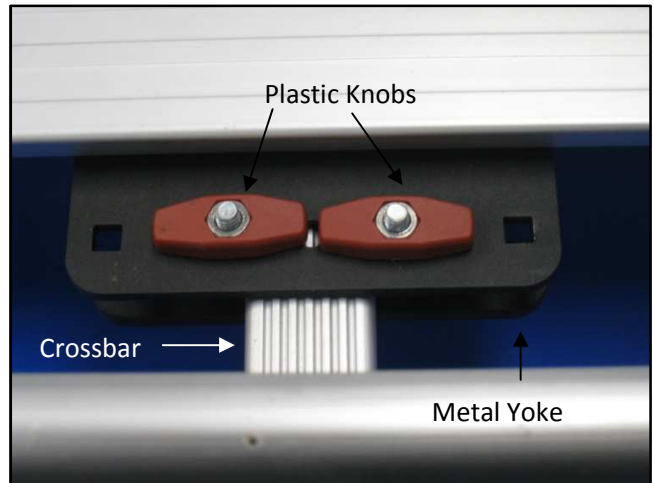
- Crossbars spacing should be 600-1000mm
- For safety reasons, we recommend you install the luggage tray with the assistance of another person

4. Attaching Luggage Tray by clamping around the Crossbars

Some examples of Crossbar Profiles that this step can be applied to



H (max) = 55mm – L (max) = 95mm



- Place the luggage tray onto the crossbars
- Centre the luggage tray over the crossbars
- Check the clearance of boot, bonnet and any accessories e.g. aerials
- Slide the mounting plates into position over the crossbars
- Tighten countersunk head screws with Allen key
- Lift one corner of the luggage tray at a time to gain access to the screws
- Recheck the luggage tray position
- Hold a metal yoke under the crossbars and line up the holes with the mounting plate
- Select coach bolts whose length best matches the crossbars you are attaching to
- Select two holes in the plates that enable the bolts to get as close as possible to each other
- Bolts can go either up or down, but check that the bolt won't damage the vehicle roof
- Attach a plastic knob to each bolt
- Tighten the knobs evenly
- Repeat for all four mounting plates





5. Attaching Luggage Tray to the Trades Crossbars



- Place two spring nuts into each crossbar
- Position these nuts to match the spacing of the mounting plates
- Use four M6 x 20 security head screws to attach the mounting plates to the crossbars
- Use the central round hole in the mounting plate
- Tighten screws with the Allen key provided



6. Attaching Luggage Tray to the Whispbar Crossbars



- Place two square t-nuts into each crossbar
- Position these nuts to match the spacing of the mounting plates
- Use four M6 x 10 capscrews to attach the mounting plates to the crossbars
- Use the central round hole in the mounting plate
- Tighten screws with the Allen key provided

7. Attaching Luggage Tray to other types of Crossbars

- The luggage tray can be fitted to nearly any type of crossbar, but special hardware may be required
- Contact your Prorack dealer for advice

Attention!

- At the start of a trip check the roof luggage tray is correctly fitted and that all the fasteners are secure
- Check the luggage tray regularly during long trips
- Remember to allow for the extra height because of the luggage tray fitted to your vehicle

Driving and Braking

- Adjust your speed to allow for the luggage tray
- The vehicles handling characteristics will change due to the luggage tray and its load
- A longer braking distance will be required

Care and Maintenance

- For security and fuel economy reasons it is advisable to remove the luggage tray when it is not required
- Clean the luggage tray using only water and car detergent
- Do not enter a car wash with luggage tray fitted
- When not in use, store your luggage tray in a clean dry place

Warranty and Disclaimer

- 1 Where the product is supplied to the customer for other than business purposes within the meaning of section 43 of the New Zealand Consumer Guarantees Act 1993, the provisions of that Act shall apply. It is important that anyone who fits or uses this product does so in accordance with the manufacturers instructions.
- 2 Where the product is supplied to the customer for business purposes within the meaning of section 43 of the New Zealand Consumer Guarantees Act 1993, the provisions of that Act shall have no effect and the clauses below shall apply. Where the product is supplied and purchased in Australia, the following shall apply:
 - a) THE SUPPLIER WARRANTS the product to be free from defects in materials and/or workmanship for a period of two (2) years from the date of original purchase (the warranty period). Proof of purchase is required. Subject to the limitations and exclusions set out below, the Supplier hereby agrees to remedy any defects in materials or workmanship becoming apparent during the warranty period, by replacing or repairing any defective product or component (at its option) free of charge to the purchaser in respect of replacement parts or labour. Any defective product or component must be notified and where practicable, returned at the purchaser's expense to the Supplier immediately upon discovery of the alleged defect and no attempt made on the part of the purchaser to repair it.
 - b) EXCEPTIONS, EXCLUSIONS AND LIMITATIONS TO WARRANTY. The product and/or its components must be fitted/assembled in accordance with the Supplier's written instructions. This warranty does not cover defects, loss or damage resulting from circumstances beyond the Supplier's control including, but not limited to misuse, overloading, or failure to assemble and/or fit the product or component in accordance with the Supplier's written instructions. Nor does the warranty cover defects, loss or damage resulting from accidents, unlawful use of the vehicle or defects/inconsistencies in the vehicle on which the product or component is fitted. Liability for direct, indirect, special, punitive, incidental, exemplary, contractual or consequential damage or loss arising from defects, faulty materials or design omissions or negligence or workmanship in the product or its components is hereby expressly excluded. Certain Commonwealth legislation, including the Trade Practices Act 1974, and other State and Territorial legislation confers upon purchasers rights which cannot be excluded from or be restricted or modified by contract. Any conditions, guarantees and/or warranties implied by law and incapable of exclusion are deemed to be expressly incorporated herein. Nothing herein contained is intended nor shall be permitted to be inconsistent with any such conditions, guarantees and/or warranties. To the extent permitted by legislation all conditions, guarantees and/or warranties such as implied warranties which are capable of exclusion are hereby expressly excluded and negated.

Hubco Automotive Ltd Free phone New Zealand:
46 Parkhouse Road 0800 4776 722
PO Box 11-017 Free phone Australia:
Christchurch 8004 1800 143 548
New Zealand