



Heavy Duty Alloy Tray

First Time Installation

- Check your bar length, a minimum 1200 mm bar length is required.
- Check your roof rack type, this kit suits Prorack Heavy Duty and Trade roof racks out of the box, and most other popular heavy duty and commercial bars with T-Slot channels.
- Prorack Tray Aero Adapter (PR3214) (sold separately) is available to fit Prorack Alloy Trays to Prorack Aero Through Bars 1200 mm & up, and other popular curved aero bars with T-Slot channel & 1100 mm of free space per bar.
- Please read instructions carefully before installation.
- Check the contents of kit. Contact your Prorack dealer if any parts appear to be missing or damaged.
- Clean your roof racks and cargo tray prior to fitting the Alloy Tray.
- Use caution when handling rails and slats, sharp edges may be present.
- Images throughout show a 4 slat tray indicative of PR3210 & PR3211. Note PR3212 has a 5th slat, additional Slat Clamps and associated fixing hardware.

Important Warning

- It is critical that all Prorack racks and accessories be properly and securely attached to your vehicle. Improper attachment could result in an automobile accident, and could cause serious bodily injury or death to you or to others.
- You are responsible for securing the racks and accessories to your car, checking the attachments prior to use, and periodically inspecting the products for adjustment, wear, and damage.
- If you do not understand all of the instructions and cautions, or if you have no mechanical experience and are not thoroughly familiar with the installation procedures, you should have the product installed by a professional installer such as a roof rack specialist.

Part Number

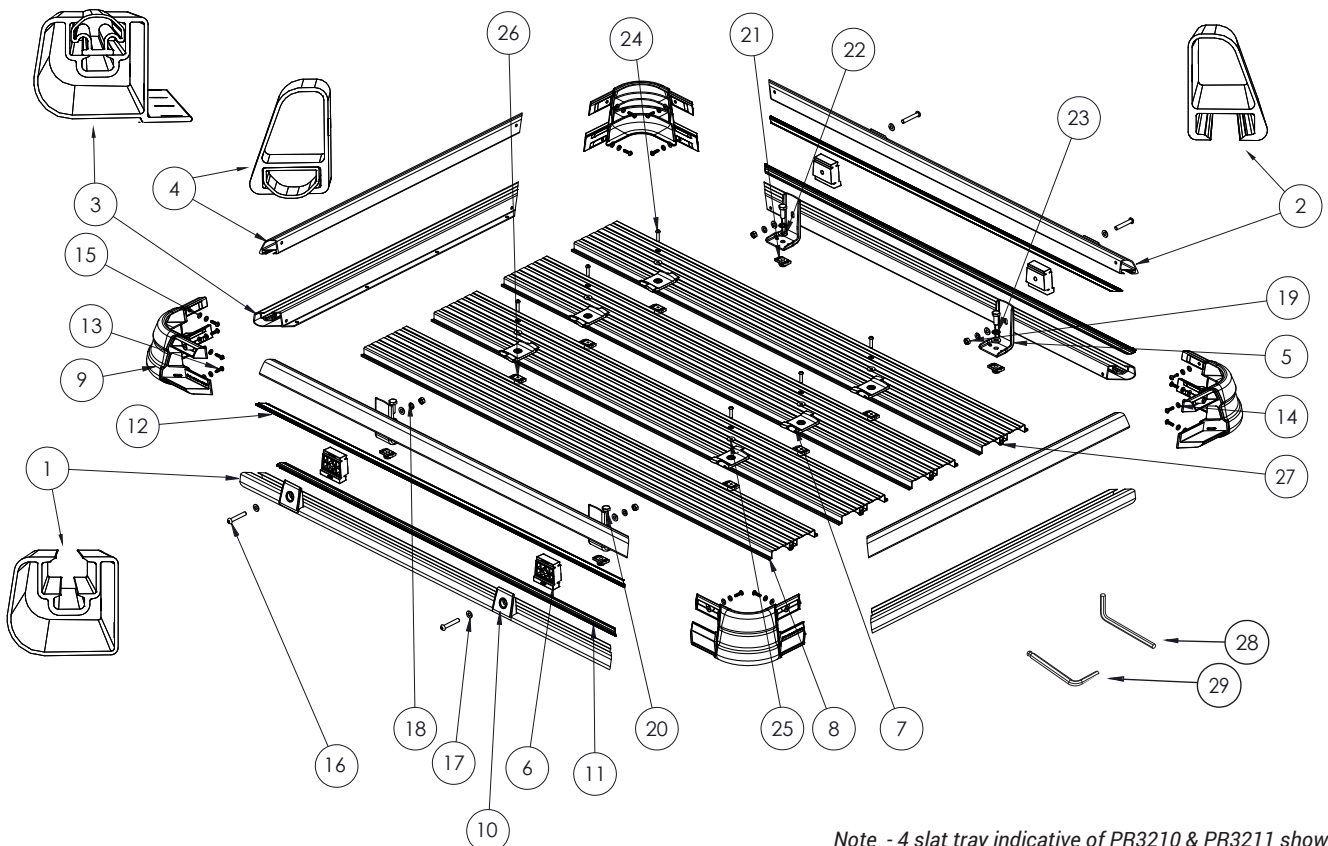
- PR3210 (fitment for two bars) 143 x 108 cm - Approx. assembly time 1 hr
- PR3212 (fitment for three bars) 193 x 131 cm - Approx. assembly time 1 hr 25 mins

Tools Required

- 13 mm Spanner
- 17 mm Spanner
- Large Scissors
- Measuring Tape
- Torque Wrench (optional)
- Silicon Spray (optional)
- Screwdriver (optional)

Kit Contents

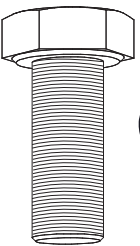
Item	Component	PR3210	PR3212
1	Long Rail Lower Side	2	2
2	Long Rail Upper Side	2	2
3	Short Rail Lower Front & Rear (with infill)	2	2
4	Short Rail Upper Front & Rear (with infill)	2	2
5	Mounting Bracket	4	6
6	Mounting T-Block	4	6
7	Slat Clamp	6	12
8	Slat	4	5
9	Corner Moulding	4	4
10	Mounting Cap	4	6
11	Infill Lower Side	2	2
12	Infill Upper Side	2	2
13	M6 Plastite Button Socket Head Screw 20 mm	16	16
14	M6 Spring Washer	30	38
15	M6 Washer	24	26
16	M8 Button Head Capscrew 50 mm	4	6
17	M8 Washer 16.8 x 1.7 mm	8	12
18	M8 Spring Washer	4	12
19	M8 Hex Nut	4	6
20	M10 Hex Screw	4	6
21	M10 Spring Nut	4	6
22	M10 Washer	4	6
23	M10 Spring Washer	4	6
24	M6 Domed Socket Head Screw	6	12
25	M6 Washer 18 x 1.6 mm	6	12
26	M6 Spring Nut	6	12
27	M6 Button Head Capscrew 20 mm	8	10
28	5 mm Allen Key	1	1
29	4 mm Ball End Allen Key	1	1



Note - 4 slat tray indicative of PR3210 & PR3211 shown.

Component Size Guide

20



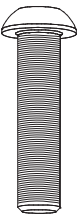
M10 Hex Screw 25 mm

16



M8 Button Head Capscrew 50 mm

24



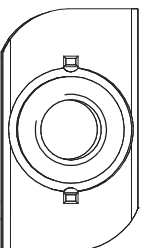
M6 Button Head Capscrew 25 mm

27



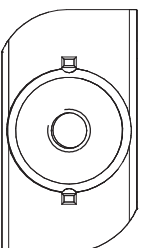
M6 Button Head Capscrew 20 mm

21



M10 Spring Nut

26



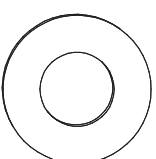
M6 Spring Nut

13



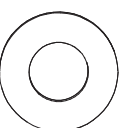
M6 Plastite Button Socket Head Screw 20 mm

22



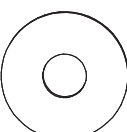
M10 Washer

17



M8 Washer 16.8 x 1.7 mm

25



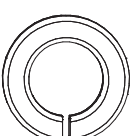
M6 Washer 18 x 1.6 mm

15



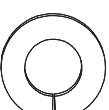
M6 Washer 12.5 x 1.2 mm

23



M10 Spring Washer

18



M8 Spring Washer

14



M6 Spring Washer

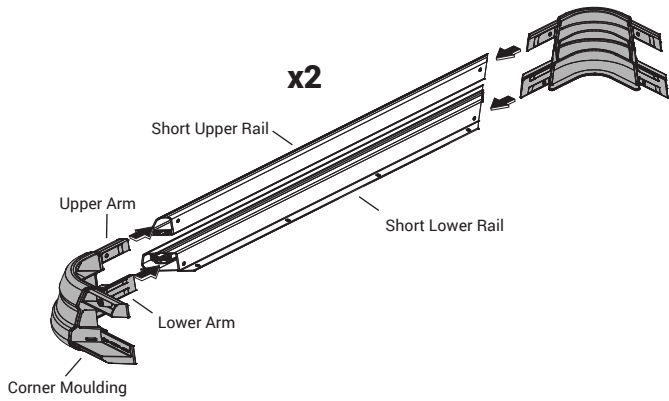
19



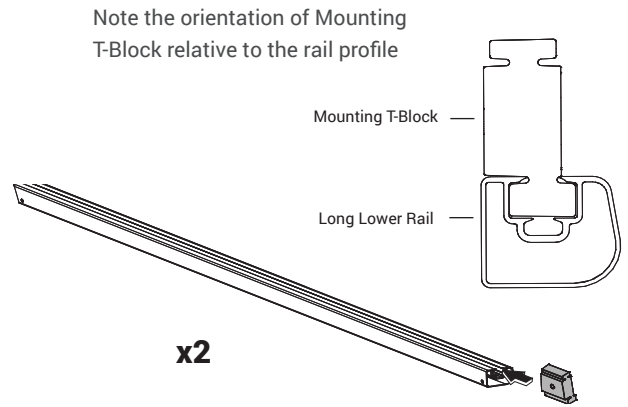
M8 Hex Nut

Please use caution when handling rails and slats, sharp edges may be present

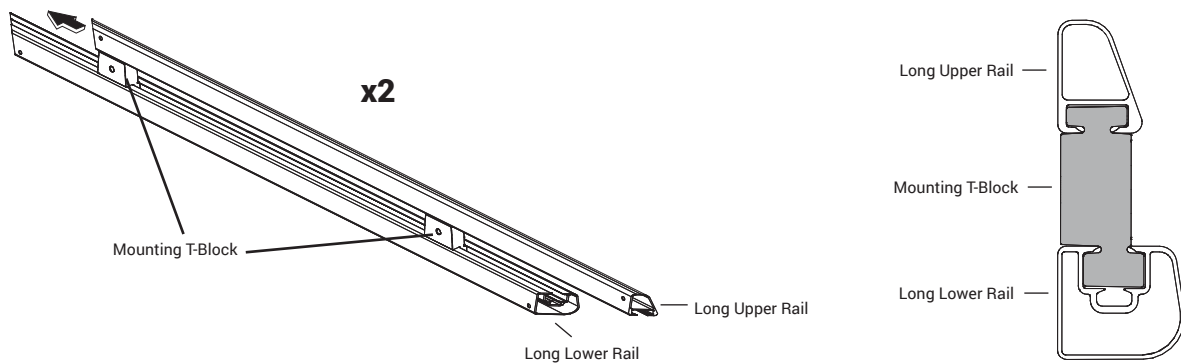
1 Assemble Short Lower Rail to Corner Moulding by sliding in lower arm of Corner Moulding inside Short Lower Rail, then slide in upper arm of Corner Moulding inside Short Upper Rail. Repeat steps for other end and then the remaining Short Rails.



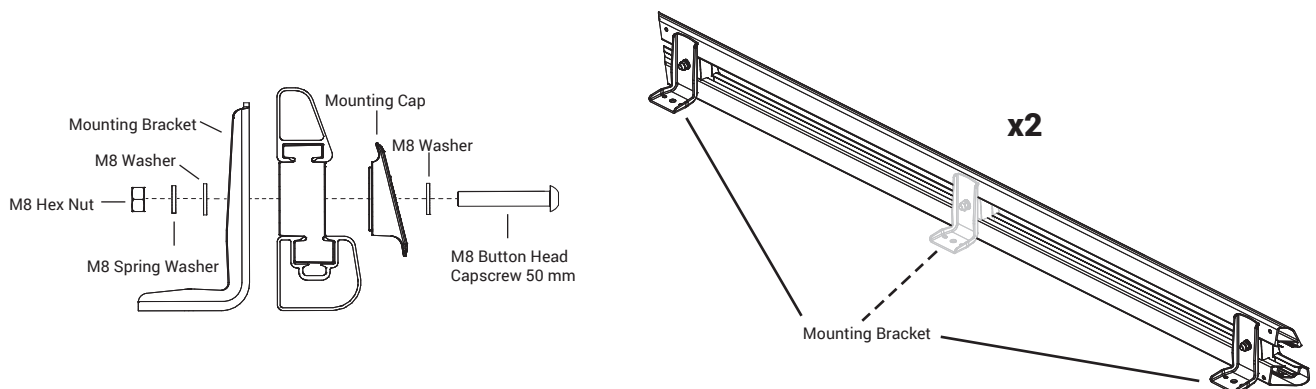
2 Slide Mounting T-Blocks into the channels of each Long Lower Rail. 2x LHS & 2x RHS for a two crossbar system, and 3x LHS and 3x RHS for a three crossbar system. Position Mounting T-Blocks roughly to match vehicle crossbar placement.



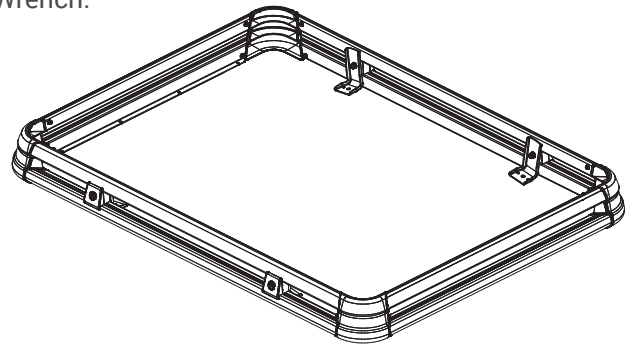
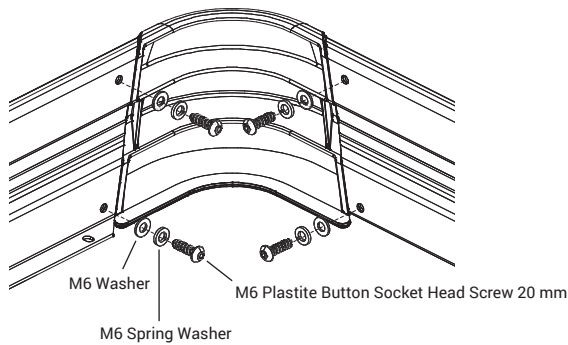
3 Slide Long Upper Rails on top, matching up with the grooves on the Mounting T-Blocks. Repeat step for other side.



4 Loosely install a Mounting Bracket onto each Mounting T-Block as pictured using a Mounting Cap, 2x M8 Washers, M8 Button Head Capscrew 50 mm, M8 Spring Washer and M8 Hex Nut.

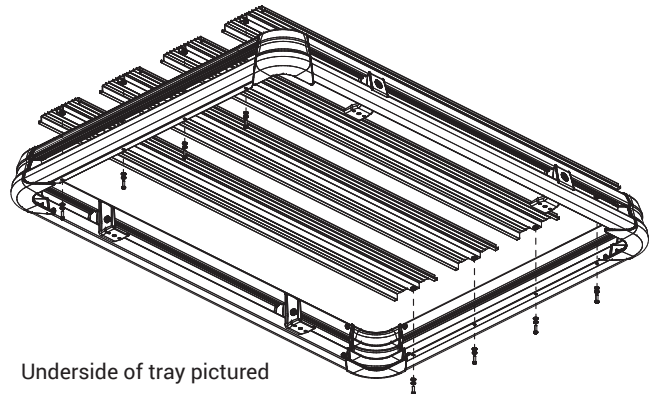
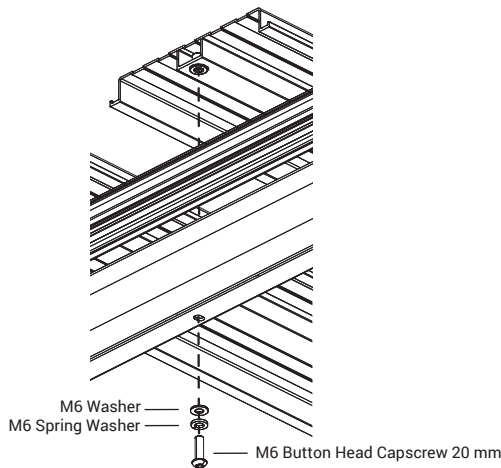


- 5** Assemble Long Lower & Upper Side rails to the 4x Corner Moulding pieces so you have a complete frame with four sides. Secure all Upper & Lower frames to both sides of all four Corner Mouldings with M6 Washer, M6 Spring Washer and M6 Plastite Button Socket Head Screw 20 mm. Tighten to 4 Nm with 4 mm Ball End Allen Key provided or a suitable Torque Wrench.



Note - the images in this step are shown from underneath the tray looking up

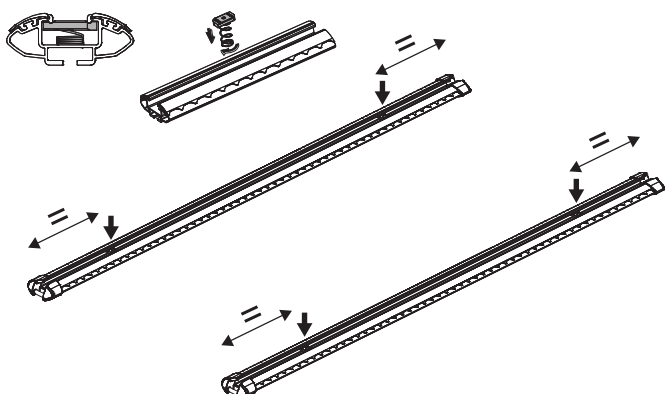
- 6** Position Slat to line up the rivnuts in both ends with holes in the Short Lower Front & Rear Rails. Secure from underneath with M6 Washer, M6 Spring Washer and M6 Button Head Capscrew 20 mm. Tighten to 6 Nm with 4 mm Ball End Allen Key provided or a suitable Torque Wrench. Repeat for all Slats.



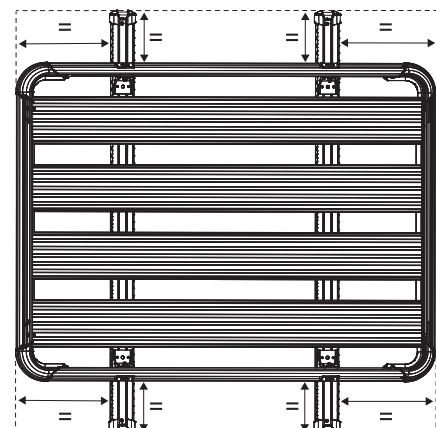
Underside of tray pictured

Note - two person install required for this step

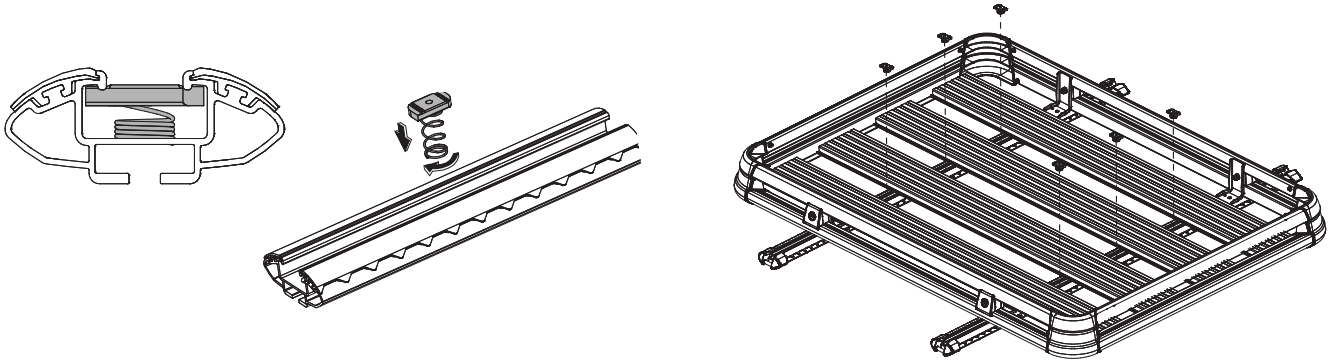
- 7** Insert 2x M10 Spring Nuts into each crossbar 920 mm apart for PR3210 / PR3211 4 slat trays and 1150 mm apart for PR3212 5 slat trays, and an equal distance from the ends of each crossbar. Push Spring Nuts down into the crossbar channels and twist to lock into place as pictured.



- 8** With the help of a friend, carefully position the assembled Tray on top of vehicle crossbars. Measure the distance from each end of the crossbars to the Tray on both sides, and crossbar overhang on front and rear to ensure Tray is centrally positioned on crossbars.

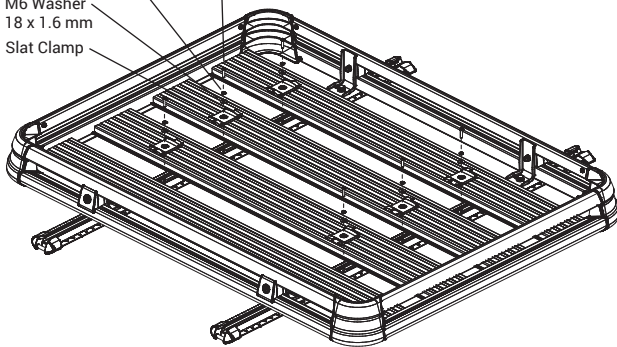


- 9** Insert 3 x M6 Spring Nuts into each crossbar channel between Slats.
Push Spring Nuts down into the crossbar channels and twist to lock into place as pictured.

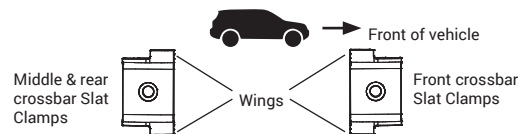


- 10** Loosely install Slat Clamps onto each M6 Spring Nut using M6 Washer 18 x 1.6 mm, M6 Spring Washer and M6 Domed Socket Head Screw.

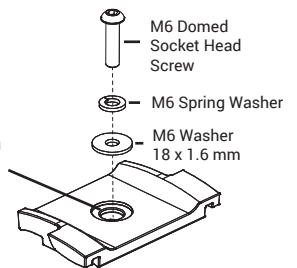
M6 Domed Socket Head Screw
M6 Spring Washer
M6 Washer
18 x 1.6 mm
Slat Clamp



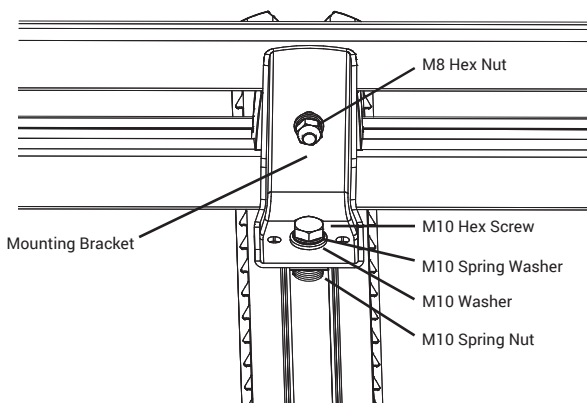
Note the orientation of the crossbar Slat Clamp wings.
The front faces rearwards and the middle & rear face forward.



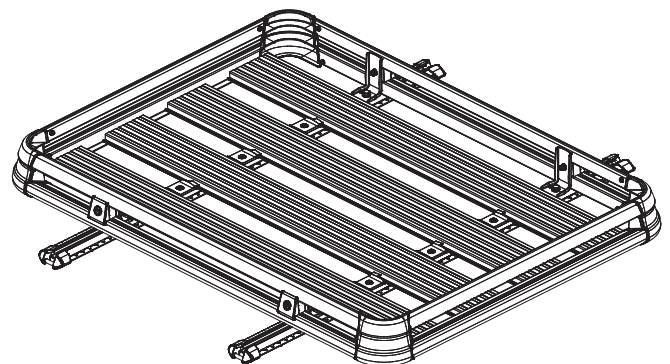
Note that the M6 Washers 18 x 1.6 mm need to fit flush into the Slat Clamp recesses



- 11** Adjust Mounting Brackets so holes align with the M10 Spring Nuts on each end of every crossbar. Secure all Mounting Brackets with M10 Washer, M10 Spring Washer and M10 Hex Screw to 25 Nm using a 17 mm Spanner. Tighten the M8 Button Head Cap Screws and M8 Hex Nuts that were loosely installed in Step 4 using the 5 mm Allen Key provided or a suitable Torque Wrench, and a 13 mm Spanner. A torque setting of 10 Nm is recommended.

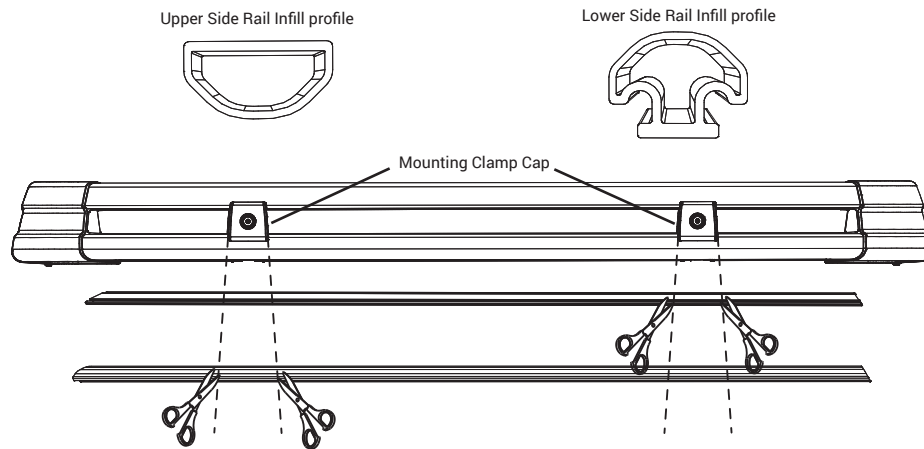


- 12** Securely tighten all Slat Clamp Screws that were loosely installed in Step 10 to 5 Nm with 4 mm Ball End Allen Key provided or a suitable Torque Wrench.



13

Install Rubber Infill to Upper and Lower Side Rails by measuring the spaces between Mounting T-Blocks and cutting the Rubber Infill strips to fit with a large pair of scissors. Squeeze and push cut Rubber Infill strips completely into the Upper and Lower Side Rail channels. Silicon spray can be used to assist installation.



Maintenance

- Check accessory is securely attached whenever you refit it to the vehicle. If the unit feels loose, refer to the fitting instructions and readjust.
- Regularly check all fasteners. This includes all attached accessories and roof racks.
- Clean with hot soapy water and sponge as required.

Caution

- Ensure that all loads are distributed evenly across the roof racks and in the Tray, and are fastened securely.
- A loaded roof rack system can alter the performance of your vehicle. Be especially aware of the effects of side winds, changing of direction, and braking performance. Avoid rapid acceleration and deceleration. Drive Carefully.
- Make sure all loads are securely fastened with non-elastic straps. Check regularly during longer journeys.
- Never drive into a car wash with the roof rack system or accessories fitted.
- Do not exceed the vehicle manufacturer's roof load rating. Total load equals weight of roof racks + accessories + cargo/ equipment.


Prorack[®]
Ready for anything

Prorack
17 Hinkler Court, Brendale
QLD 4500, Australia

Freephone
AU: 1800 143 548
NZ: 0800 4776 722

www.prorack.com.au
www.prorack.co.nz