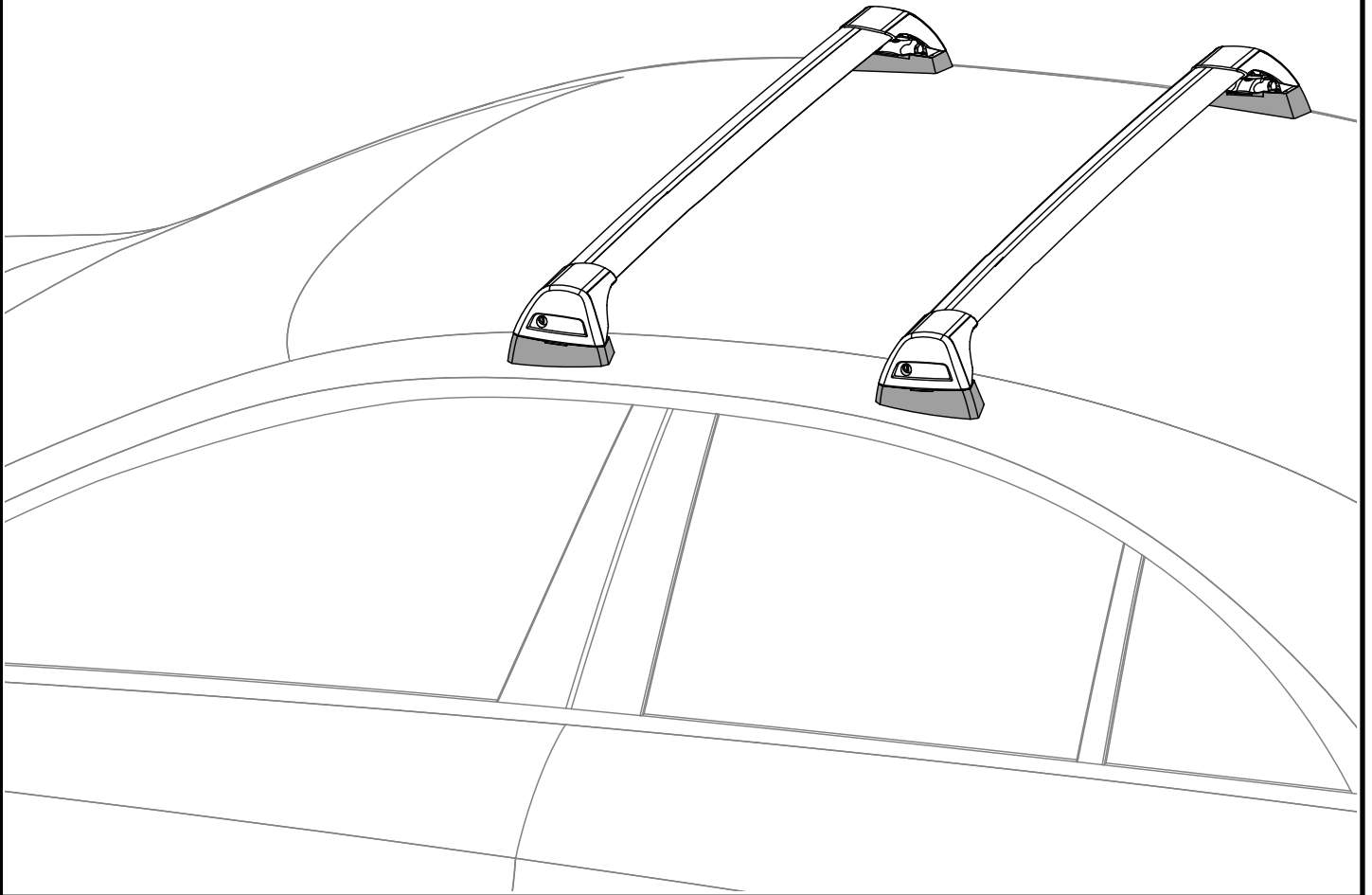
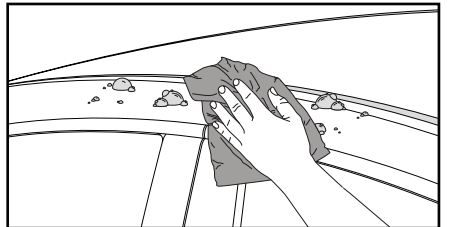
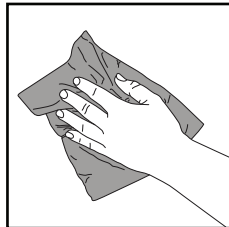
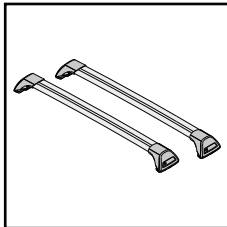
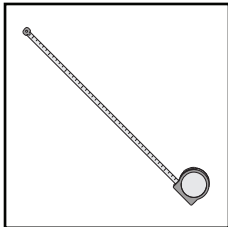
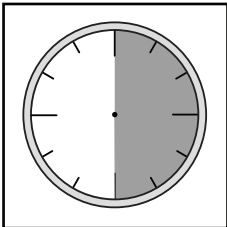


# K332

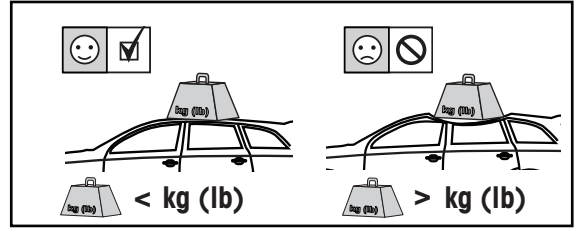
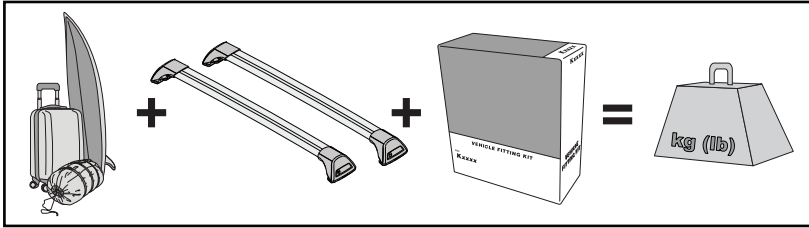
# Fitting Kit



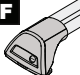
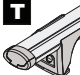






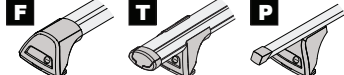
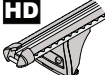
REQUIRED • ERFORDERLICH • REQUERIDOS • OBLIGATOIRE • NØDVENDIG • NECESSÁRIO • ОБЯЗАТЕЛЬНО • OBBLIGATORIO  
POTRZEBY • NEVYHNUTELNÉ • NEVYHNUTNÉ • NODIG • NÖDVÄNDIG • PÅKRÆVET • ПОТРІБНА • EDELLYTETÄÄN



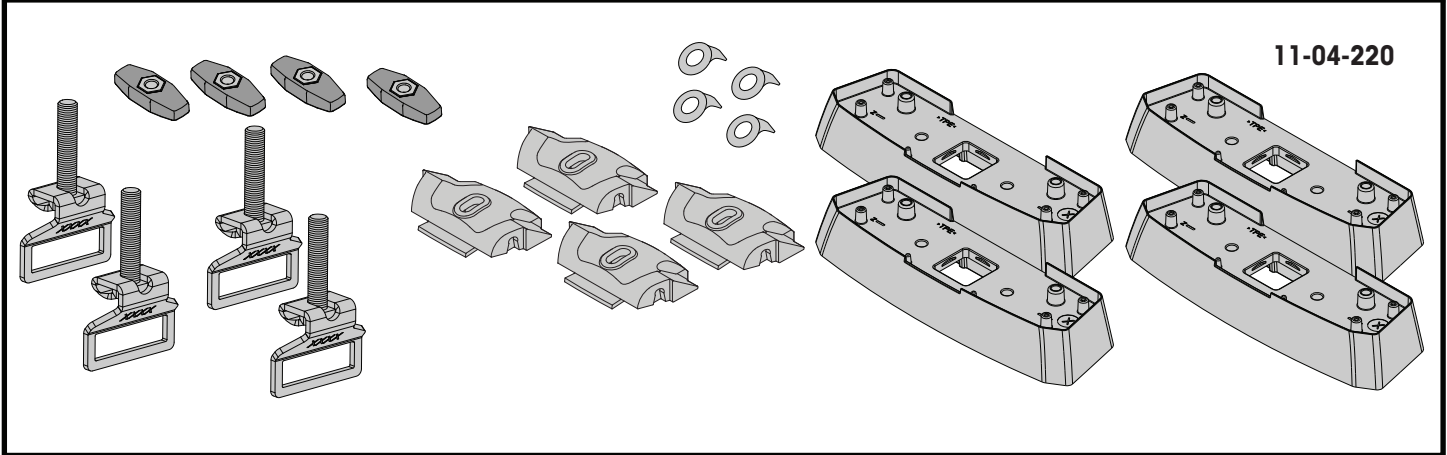
**MAXIMUM kg (lb) • MAXIMUM kg • MÁXIMO kg • MAXIMUM kg • MAKSIMALT kg • MÁXIMO kg  
 МАКСИМУМ кг • MASSIMO kg • MAKSIMALNEJ kg • MAXIMÁLNÍ kg • MAXIMÁLNE kg  
 MAXIMUM kg • MAXIMAL kg • MAKSIMAL kg • МАКСИМАЛЬНА kg • ENIMMÄISMÄÄRÄ kg**



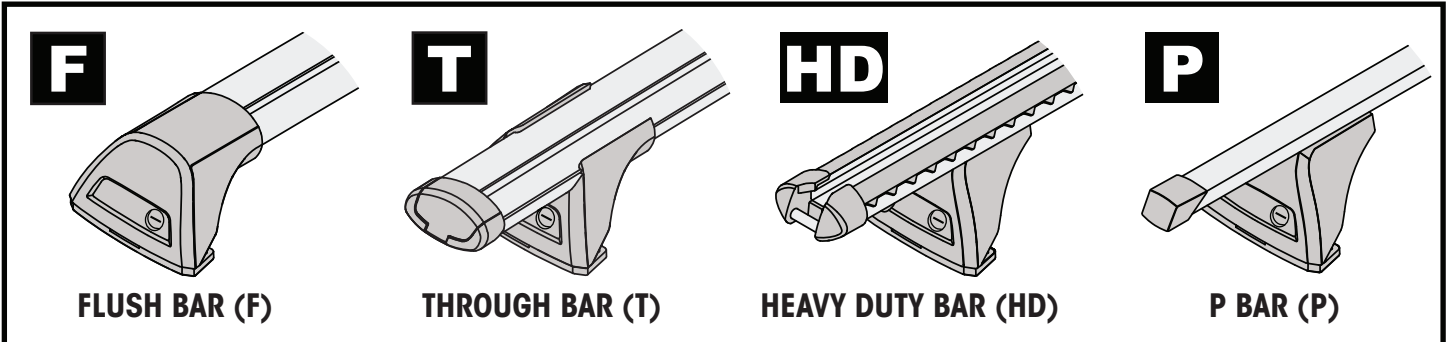
|  |  | <b>F</b>  <b>T</b>  <b>P</b>  | <b>HD</b>  |
|---|---|---|---|
| Mitsubishi Airtrek, 5dr SUV 01-05   | EU  | 50 kg (110 lb)  | 50 kg (110 lb)  |
| Mitsubishi Airtrek, 5dr SUV 01-Jan 06   | NZ  | 50 kg (110 lb)  | 50 kg (110 lb)  |
| Mitsubishi Cedia, 4dr Sedan Feb 01-Jul 03   | AU, EU, NZ  | 50 kg (110 lb)  | 50 kg (110 lb)  |
| Mitsubishi Cedia, 4dr Sedan 03-07   | NZ  | 50 kg (110 lb)  | 50 kg (110 lb)  |
| Mitsubishi Chariot Grandis, 5dr MPV 98-03   | EU  | 50 kg (110 lb)  | 50 kg (110 lb)  |
| Mitsubishi Colt Plus, 5dr Wagon Aug 04-12   | NZ  | 50 kg (110 lb)  | 50 kg (110 lb)  |
| Mitsubishi Colt, 5dr Hatch 03-14  | EU  | 50 kg (110 lb)  | 50 kg (110 lb)  |
| Mitsubishi Colt, 5dr Hatch Dec 03-14  | NZ  | 50 kg (110 lb)  | 50 kg (110 lb)  |
| Mitsubishi Colt, 5dr Hatch Aug 04-14  | AU  | 50 kg (110 lb)  | 50 kg (110 lb)  |
| Mitsubishi Delica D5, 5dr MPV 07+   | AU, NZ  | 50 kg (110 lb)  | 50 kg (110 lb)  |
| Mitsubishi Grandis, 5dr MPV 98-Dec 03   | NZ  | 50 kg (110 lb)  | 50 kg (110 lb)  |
| Mitsubishi Grandis, 5dr MPV 03-11   | EU  | 50 kg (110 lb)  | 50 kg (110 lb)  |
| Mitsubishi Grandis, 5dr MPV Sep 04-11   | AU, NZ  | 50 kg (110 lb)  | 50 kg (110 lb)  |
| Mitsubishi Lancer CG, 4dr Sedan Jun 02-Jul 03                                     | AU  | 50 kg (110 lb)  | 50 kg (110 lb)  |
| Mitsubishi Lancer CH/CS, 4dr Sedan Aug 03-Aug 07                                  | AU  | 50 kg (110 lb)  | 50 kg (110 lb)  |
| Mitsubishi Lancer CH/CS, 5dr Wagon Aug 03-Aug 07                                  | AU  | 50 kg (110 lb)  | 50 kg (110 lb)  |
| Mitsubishi Lancer EVO VII, 4dr Sedan Mar 01-Jan 03                                | AU, EU, NZ  | 50 kg (110 lb)  | 50 kg (110 lb)  |
| Mitsubishi Lancer EVO VIII, 4dr Sedan 03-05                                       | AU, EU, NZ  | 50 kg (110 lb)  | 50 kg (110 lb)  |
| Mitsubishi Lancer, 4dr Sedan 00-03  | EU, ZA  | 50 kg (110 lb)  | 50 kg (110 lb)  |
| Mitsubishi Lancer, 4dr Sedan Feb 01-Jul 03  | NZ  | 50 kg (110 lb)  | 50 kg (110 lb)  |
| Mitsubishi Lancer, 4dr Sedan 03-06  | ZA  | 50 kg (110 lb)  | 50 kg (110 lb)  |
| Mitsubishi Lancer, 4dr Sedan 03-07  | EU  | 50 kg (110 lb)  | 50 kg (110 lb)  |
| Mitsubishi Lancer, 4dr Sedan Aug 03-Aug 07  | NZ  | 50 kg (110 lb)  | 50 kg (110 lb)  |
| Mitsubishi Lancer, 5dr Estate 00-03   | EU  | 50 kg (110 lb)  | 50 kg (110 lb)  |
| Mitsubishi Lancer, 5dr Wagon Feb 01-Jul 03  | NZ  | 50 kg (110 lb)  | 50 kg (110 lb)  |
| Mitsubishi Lancer, 5dr Wagon Aug 03-Aug 07  | NZ  | 50 kg (110 lb)  | 50 kg (110 lb)  |
| Mitsubishi Legnum, 5dr Wagon 96-03  | NZ  | 50 kg (110 lb)  | 50 kg (110 lb)  |
| Mitsubishi Montero, 3dr SUV 99-06   | CN, EU  | 50 kg (110 lb)  | 50 kg (110 lb)  |
| Mitsubishi Montero, 5dr SUV 99-06   | EU  | 75 kg (165 lb)  | 75 kg (165 lb)  |
| Mitsubishi Nimbus UG, 5dr MPV Nov 98-Jun 04                                       | AU  | 50 kg (110 lb)  | 50 kg (110 lb)  |
| Mitsubishi Nimbus, 5dr MPV Nov 98-Jun 04  | NZ  | 50 kg (110 lb)  | 50 kg (110 lb)  |
| Mitsubishi Outlander, 5dr SUV 03-06   | EU  | 50 kg (110 lb)  | 50 kg (110 lb)  |
| Mitsubishi Outlander, 5dr SUV Feb 03-Jan 06                                       | AU  | 50 kg (110 lb)  | 50 kg (110 lb)  |
| Mitsubishi Pajero iO, 3dr SUV Jul 97-Jul 03                                       | NZ  | 75 kg (165 lb)  | 75 kg (165 lb)  |

|  |  |  |  |
|--|--|---|--|
| Mitsubishi Pajero iO, 3dr SUV 99-03  | ZA   | 75 kg (165 lb)  | 75 kg (165 lb)   |
| Mitsubishi Pajero iO, 3dr SUV Mar 99-Jul 03                                      | AU   | 75 kg (165 lb)  | 75 kg (165 lb)   |
| Mitsubishi Pajero iO, 5dr SUV 99-03  | ZA   | 75 kg (165 lb)  | 75 kg (165 lb)   |
| Mitsubishi Pajero iO, 5dr SUV Mar 99-Jul 03                                      | AU   | 75 kg (165 lb)  | 75 kg (165 lb)   |
| Mitsubishi Pajero LWB NM/NP, 5dr SUV May 00-Oct 06                               | NZ   | 75 kg (165 lb)  | 75 kg (165 lb)   |
| Mitsubishi Pajero LWB NM/NP, 5dr SUV May 00-Feb 07                               | AU   | 75 kg (165 lb)  | 75 kg (165 lb)   |
| Mitsubishi Pajero LWB, 5dr SUV 99-06   | ZA   | 75 kg (165 lb)  | 75 kg (165 lb)   |
| Mitsubishi Pajero LWB, 5dr SUV Mar 07+   | NZ   | 75 kg (165 lb)  | 75 kg (165 lb)   |
| Mitsubishi Pajero NS, 5dr SUV Mar 07+  | AU   | 75 kg (165 lb)  | 75 kg (165 lb)   |
| Mitsubishi Pajero SWB, 3dr SUV Jun 00-Oct 06                                     | NZ   | 50 kg (110 lb)  | 50 kg (110 lb)   |
| Mitsubishi Pajero SWB, 3dr SUV Jun 00-Feb 07                                     | AU   | 50 kg (110 lb)  | 50 kg (110 lb)   |
| Mitsubishi Pajero SWB, 3dr SUV Mar 07+   | AU, NZ   | 50 kg (110 lb)  | 50 kg (110 lb)   |
| Mitsubishi Pajero, 5dr SUV 00-07   | CN, EU   | 75 kg (165 lb)  | 75 kg (165 lb)   |
| Mitsubishi Pinin, 5dr SUV 98-07  | EU   | 75 kg (165 lb)  | 75 kg (165 lb)   |
| Toyota Granvia, 4dr MPV 96-04  | AU, EU, NZ   | 75 kg (165 lb)  | 75 kg (165 lb)   |
| Toyota Regius, 4dr MPV 97-02   | NZ   | 75 kg (165 lb)  | 75 kg (165 lb)   |

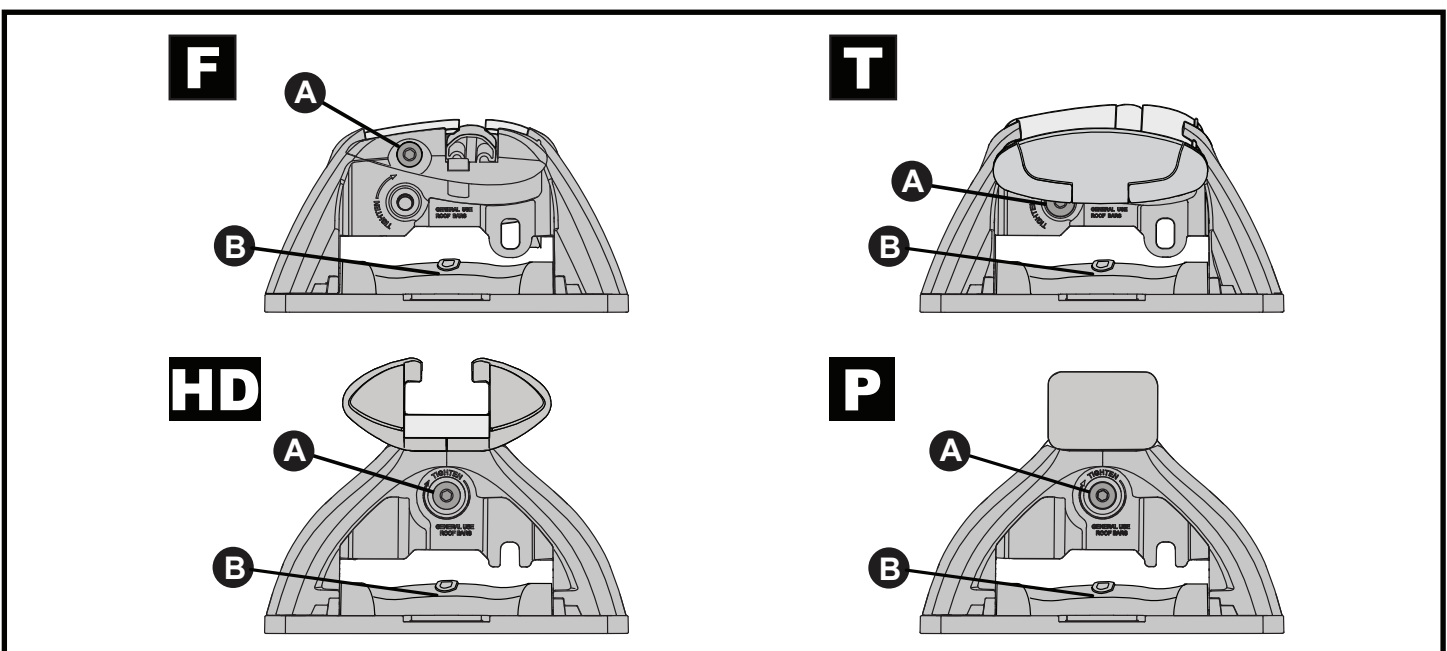
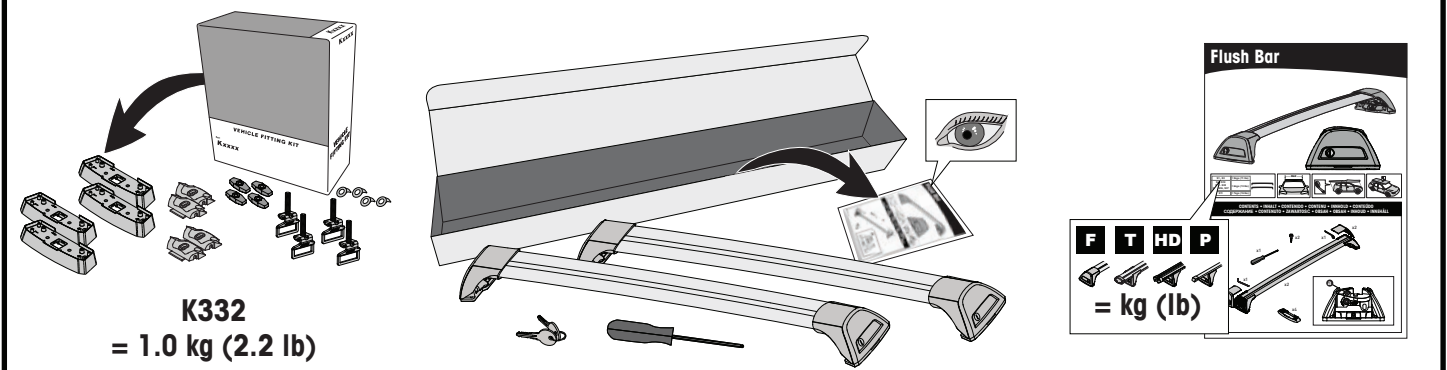
CONTENTS • INHALT • CONTENIDO • CONTENU • INNHOLD • CONTEÚDO • СОДЕРЖАНИЕ • CONTENUTO  
 ZAWARTOŚĆ • OBSAH • OBSAH • INHOUD • INNEHÅLL • INDHOLD • ЗМІСТ • SISÄLLYS



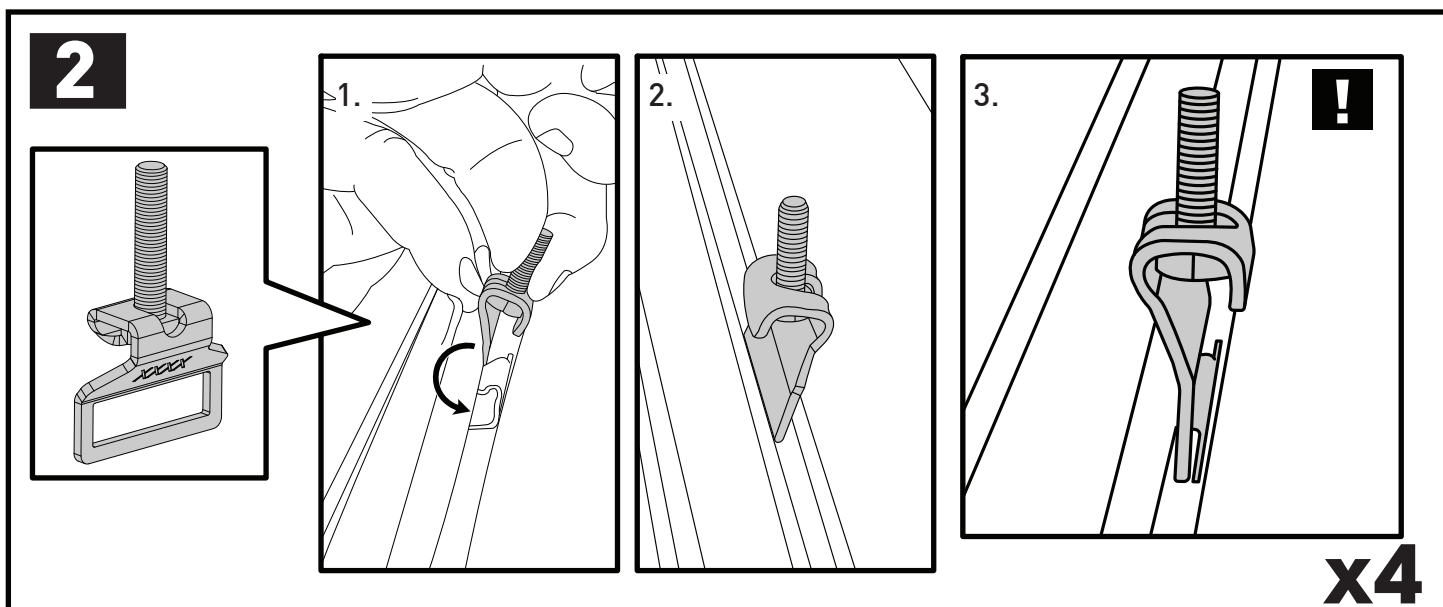
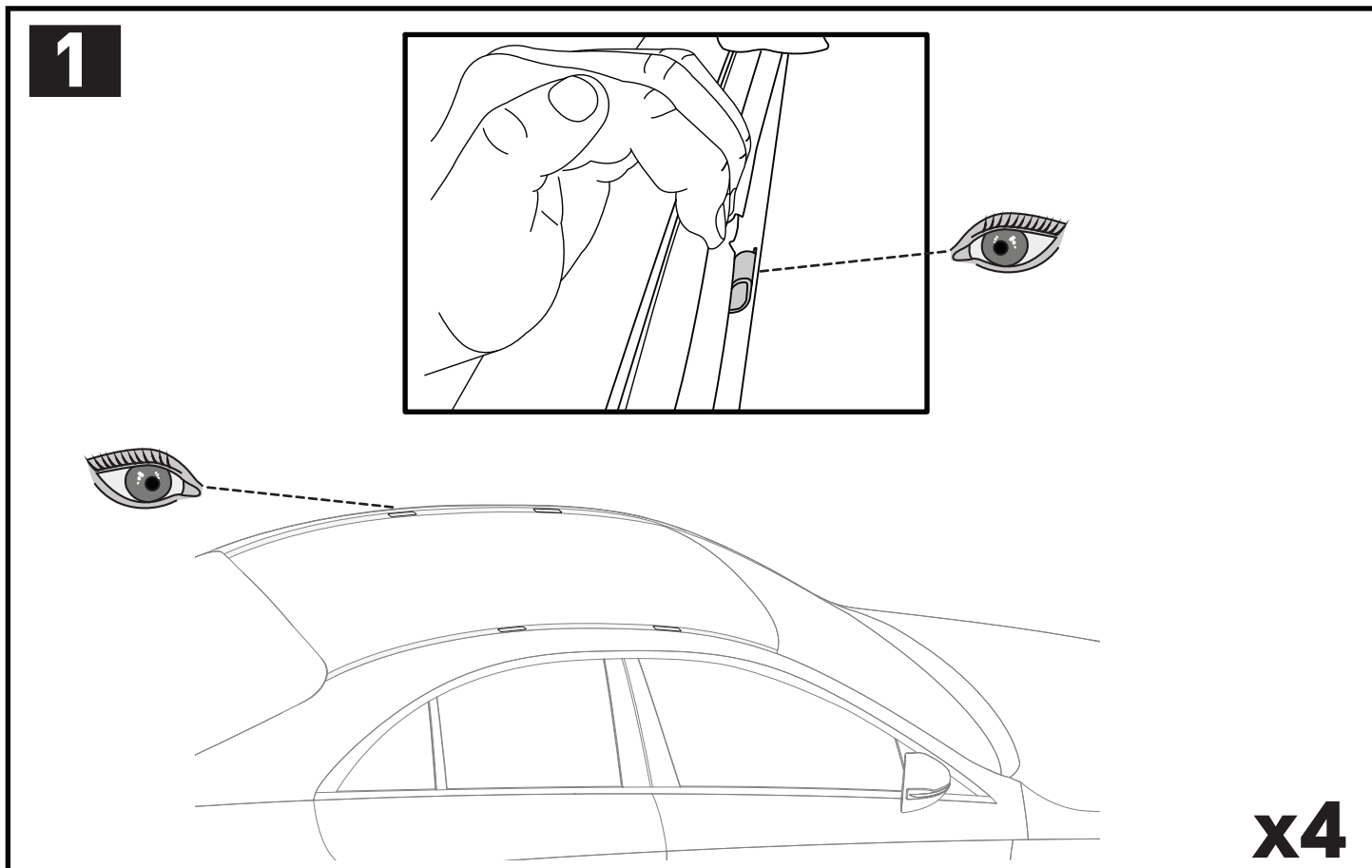
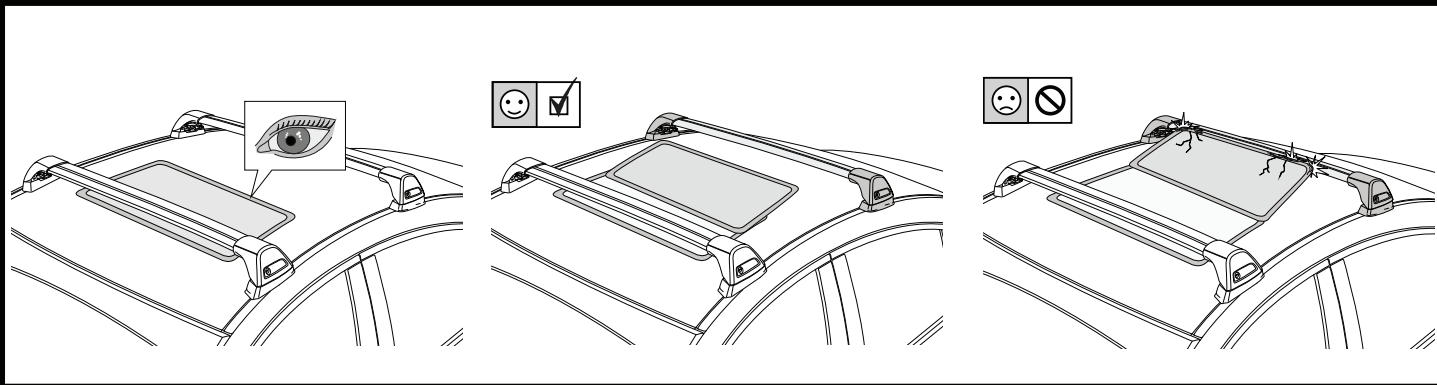
11-04-220

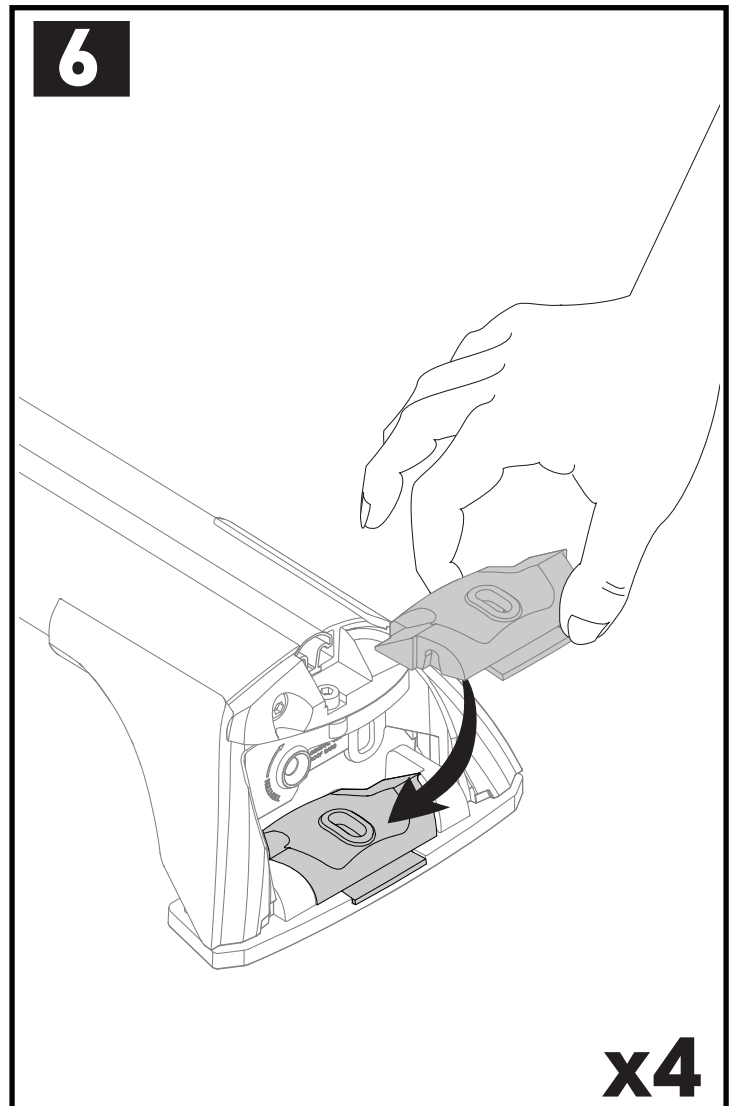
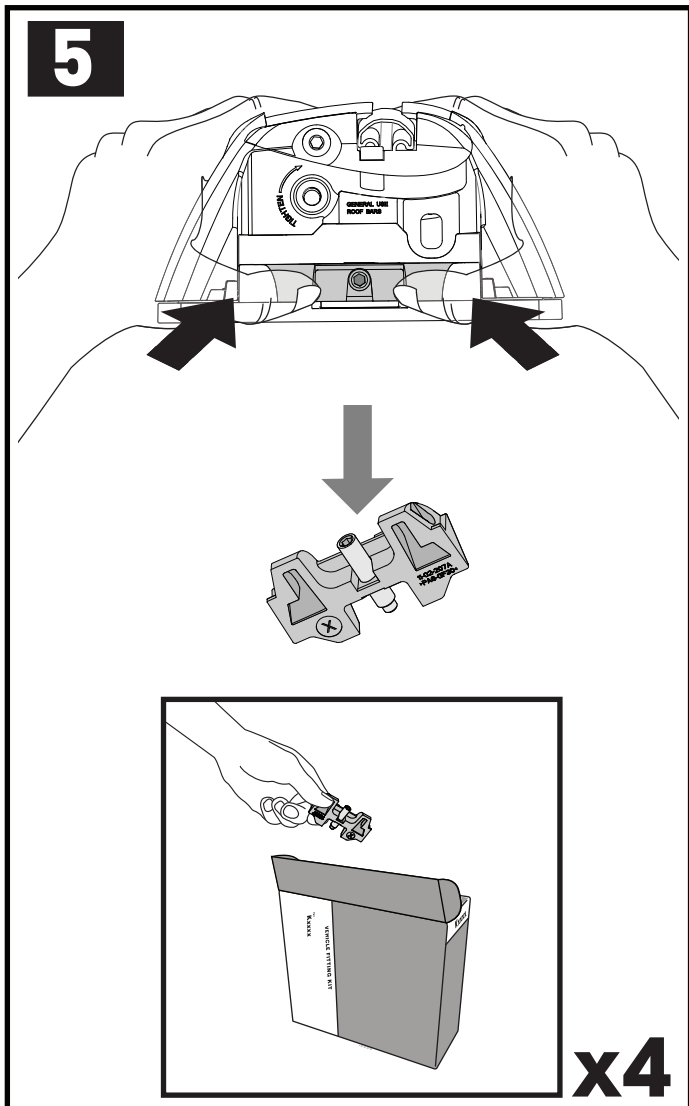
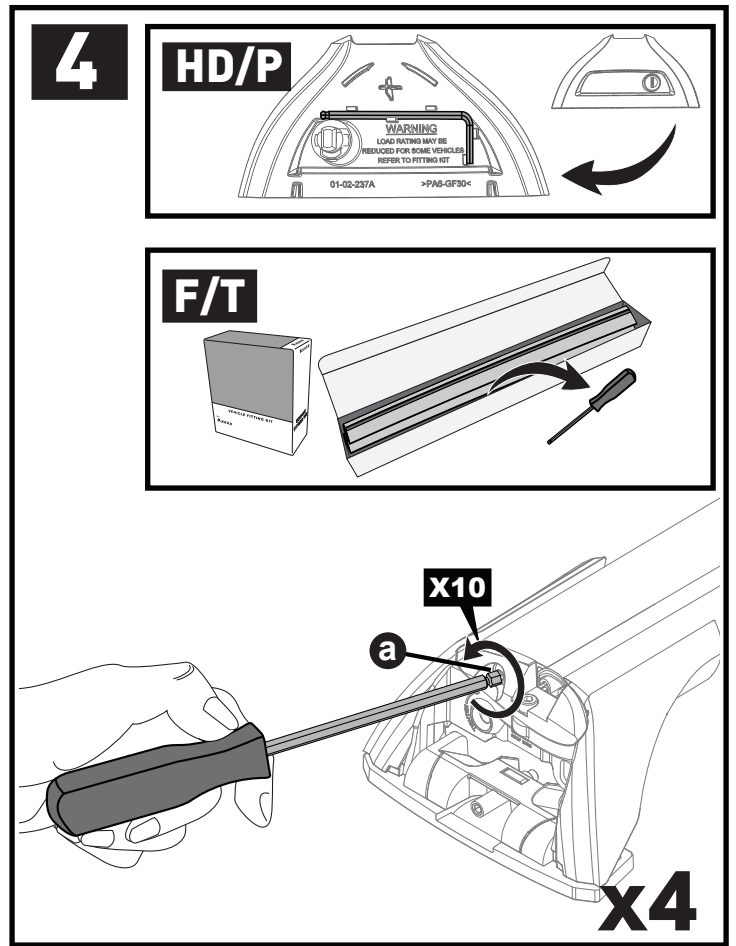
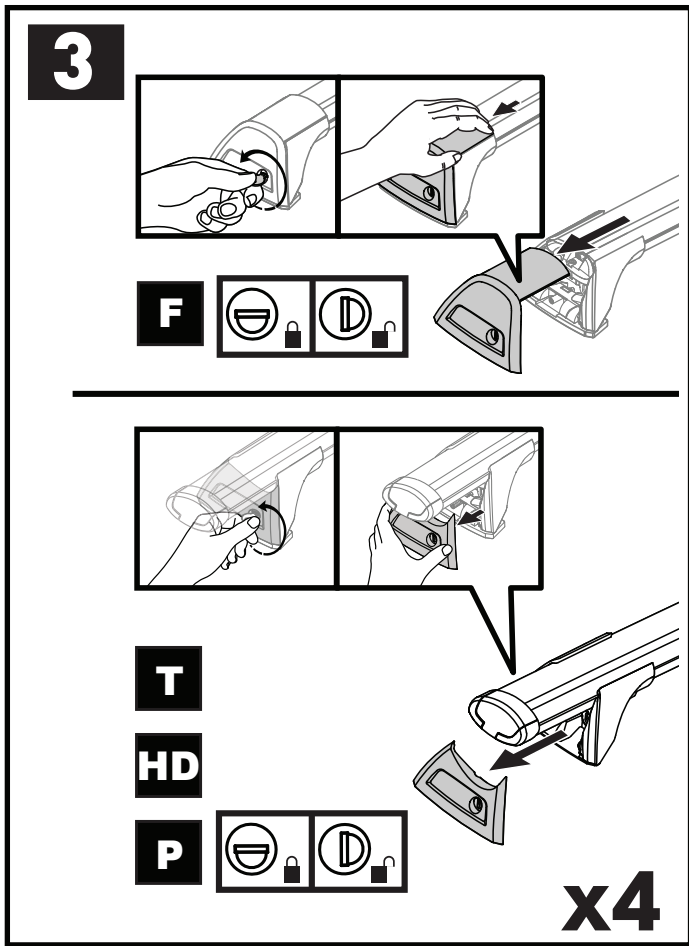


ATTENTION • ACHTUNG • ATENCIÓN • ATTENTION • OPPMERKSOMHET • ATENÇÃO • ВНИМАНИЕ • ATTENZIONE  
 UWAGA • UPOZORNĚNÍ • UPOZORNENIE • LET OP • UPPMÄRKSAMHET • OPMÆRKSOMHED • УВАГА • HUOMIO



ATTENTION • ACHTUNG • ATENCIÓN • ATTENTION • OPPMERKSOMHET • ATENÇÃO • ВНИМАНИЕ • ATTENZIONE  
UWAGA • UPOZORNĚNÍ • UPOZORNENIE • LET OP • UPPMÄRKSAMHET • OPMÆRKSOMHED • УВАГА • HUOMIO

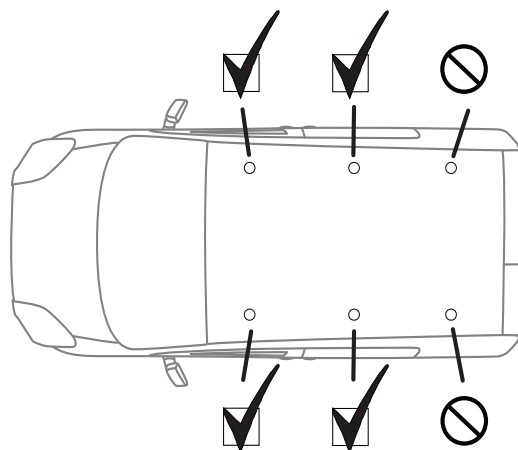
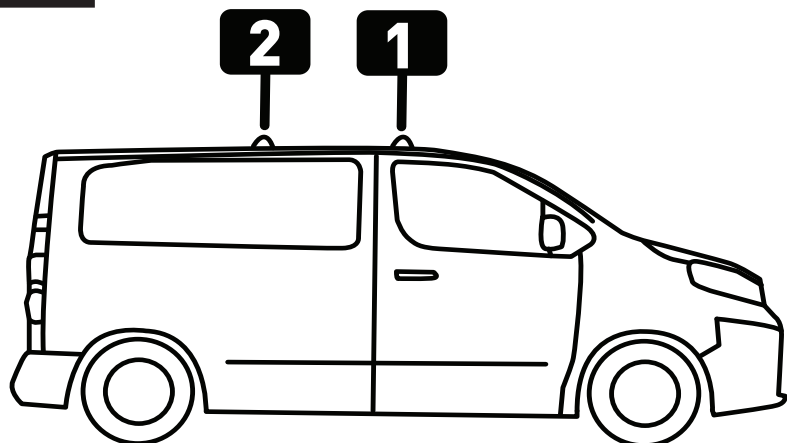




MITSUBISHI DELICA ONLY • MITSUBISHI DELICA NUR • MITSUBISHI DELICA SOLAMENTE • MITSUBISHI DELICA SEULEMENT • MITSUBISHI DELICA BARE • MITSUBISHI DELICA SOMENTE • MITSUBISHI DELICA ТОЛЬКО • SOLO MITSUBISHI DELICA • MITSUBISHI DELICA TYLKO • MITSUBISHI DELICA POUZE • MITSUBISHI DELICA IBA • MITSUBISHI DELICA ALLEEN • MITSUBISHI DELICA BARA • KUN MITSUBISHI DELICA • MITSUBISHI DELICA ТІЛКИ • VAIN MITSUBISHI DELICA

PLACEMENT • PLATZIERUNG • COLOCACIÓN • MONTAGE • PLASSERING • COLOCAÇÃO • РАЗМЕЩЕНИЕ • MONTAGGIO  
UMIESZCZENIE • UMÍSTĚNÍ • UMIESTNENIE • PLAATSING • PLACERING • PLACERING • ПОЗМІЩЕННЯ • SIJOITTA

**7a**

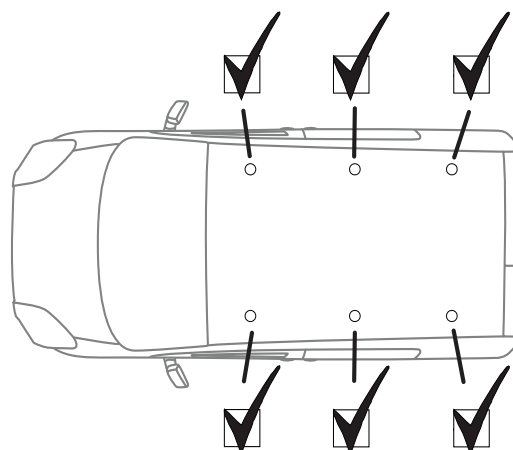
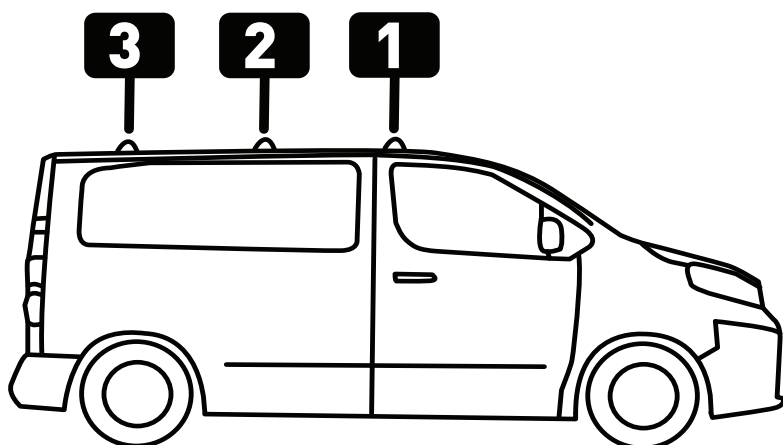


**1 = S9**

**2 = S9**

PLACEMENT • PLATZIERUNG • COLOCACIÓN • MONTAGE • PLASSERING • COLOCAÇÃO • РАЗМЕЩЕНИЕ • MONTAGGIO  
UMIESZCZENIE • UMÍSTĚNÍ • UMIESTNENIE • PLAATSING • PLACERING • PLACERING • ПОЗМІЩЕННЯ • SIJOITTA

**7b**

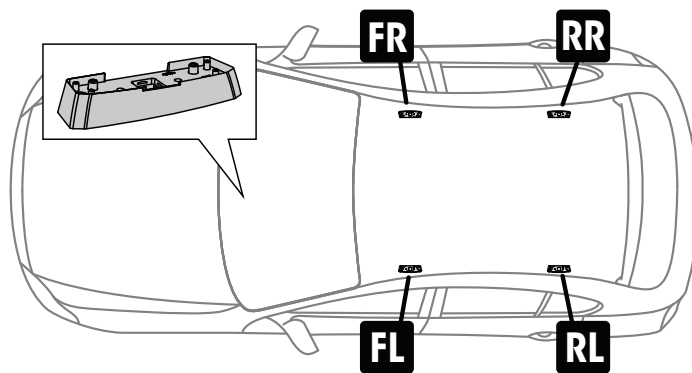
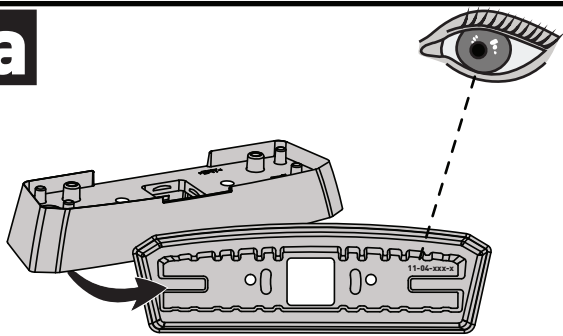


**1 = S9**

**2 = S9**

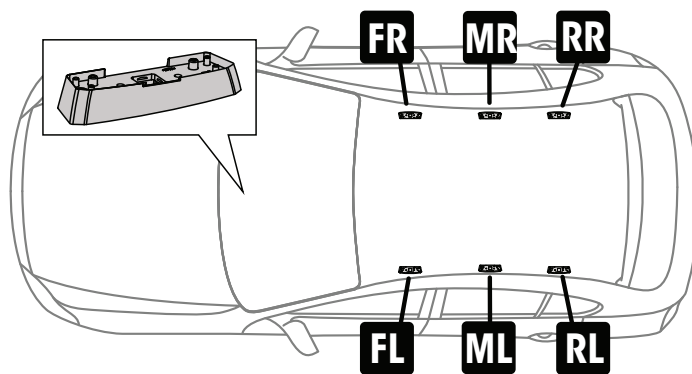
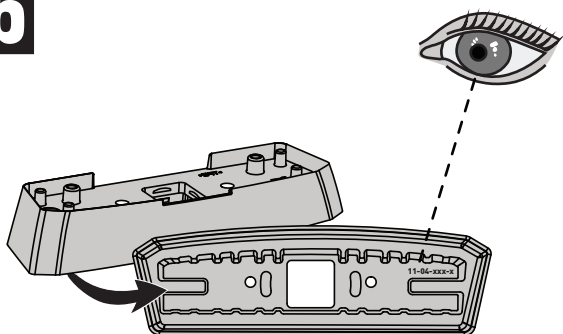
**3 = S8**

**8a**



**FR/FL/RR/RL = 11-04-220**

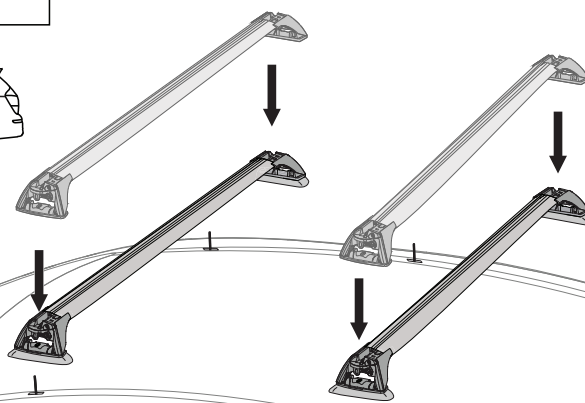
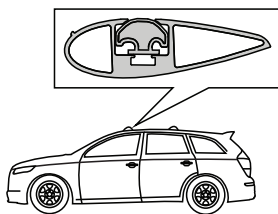
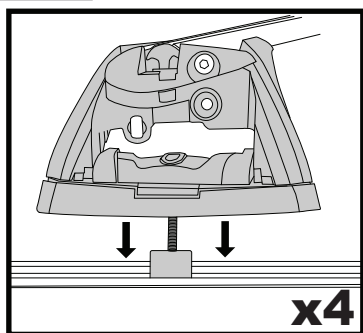
**8b**



**FR/FL/MR/ML/RR/RL = 11-04-220**

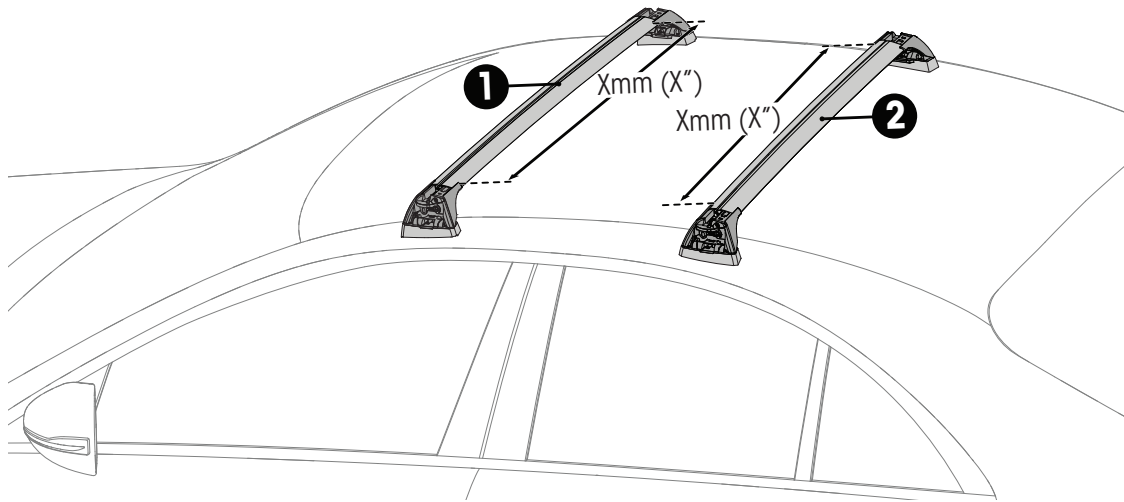
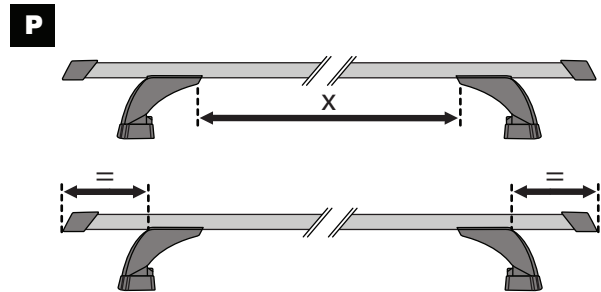
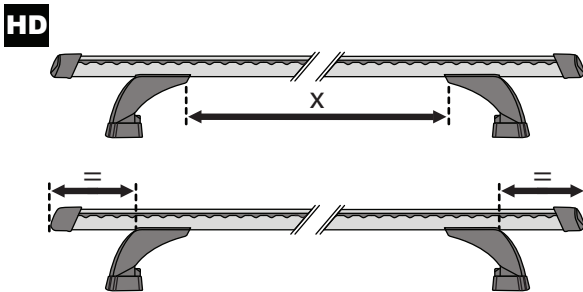
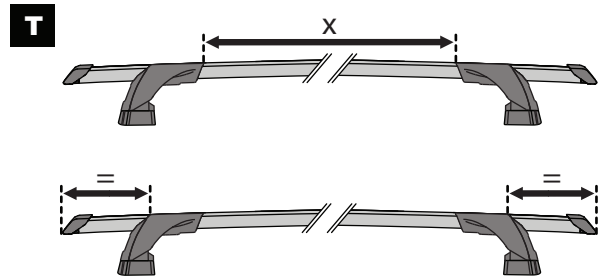
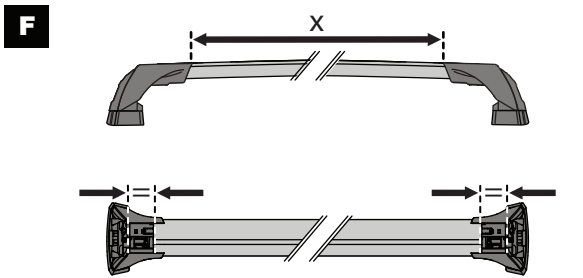
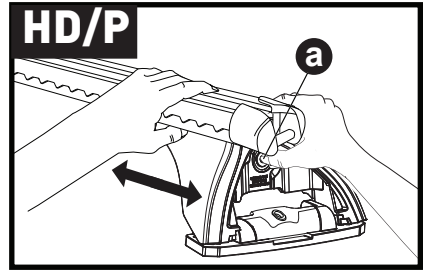
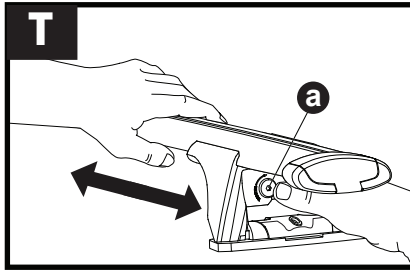
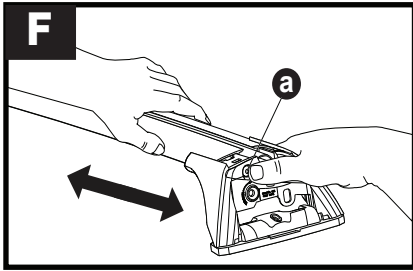
**PLACEMENT • PLATZIERUNG • COLOCACIÓN • MONTAGE • PLASSERING • COLOCAÇÃO • РАЗМЕЩЕНИЕ • MONTAGGIO  
UMIESZCZENIE • UMÍSTĚNÍ • UMIESTNENIE • PLAATSING • PLACERING • PLACERING • РОЗМІЩЕННЯ • SIJOITTA**



**9**







# 10



|  |  | 1                    | 2                    | A                     | B                     |
|---|---|----------------------|----------------------|-----------------------|-----------------------|
| Mitsubishi Airtrek, 5dr SUV 01-05   | EU  | -                    | -                    | A = 200 mm (7 7/8")   | B = 1000 mm (39 3/8") |
| Mitsubishi Airtrek, 5dr SUV 01-Jan 06   | NZ  | -                    | -                    | A = 200 mm (7 7/8")   | B = 1000 mm (39 3/8") |
| Mitsubishi Cedia, 4dr Sedan Feb 01-Jul 03   | AU, EU, NZ  | X = 816 mm (32 1/8") | X = 774 mm (30 1/2") | -A = 270 mm (10 5/8") | B = 460 mm (18 1/8")  |
| Mitsubishi Cedia, 4dr Sedan 03-07   | NZ  | X = 816 mm (32 1/8") | X = 774 mm (30 1/2") | -A = 270 mm (10 5/8") | B = 460 mm (18 1/8")  |
| Mitsubishi Chariot Grandis, 5dr MPV 98-03   | EU  | X = 830 mm (32 5/8") | X = 794 mm (31 1/4") | -A = 300 mm (11 3/4") | B = 550 mm (21 5/8")  |
| Mitsubishi Colt Plus, 5dr Wagon Aug 04-12   | NZ  | X = 812 mm (32")     | X = 766 mm (30 1/8") | -A = 100 mm (3 7/8")  | B = 660 mm (26")      |
| Mitsubishi Colt, 5dr Hatch 03-14  | EU  | X = 803 mm (31 5/8") | X = 760 mm (29 7/8") | -A = 100 mm (3 7/8")  | B = 660 mm (26")      |
| Mitsubishi Colt, 5dr Hatch Dec 03-14  | NZ  | X = 803 mm (31 5/8") | X = 760 mm (29 7/8") | -A = 100 mm (3 7/8")  | B = 660 mm (26")      |
| Mitsubishi Colt, 5dr Hatch Aug 04-14  | AU  | X = 803 mm (31 5/8") | X = 760 mm (29 7/8") | -A = 100 mm (3 7/8")  | B = 660 mm (26")      |

|  |  | 1                     | 2                     | A                     | B                     |
|--|--|-----------------------|-----------------------|-----------------------|-----------------------|
| Mitsubishi Delica D5, 5dr MPV 07+  | AU, NZ   | X = 1050 mm (41 3/8") | X = 1017 mm (40")     | A = 100 mm (3 7/8")   | B = 800 mm (31 1/2")  |
| Mitsubishi Grandis, 5dr MPV 98-Dec 03  | NZ   | X = 846 mm (33 1/4")  | X = 824 mm (32 1/2")  | A = 190 mm (7 1/2")   | B = 970 mm (38 1/4")  |
| Mitsubishi Grandis, 5dr MPV 03-11  | EU   | X = 846 mm (33 1/4")  | X = 824 mm (32 1/2")  | A = 190 mm (7 1/2")   | B = 970 mm (38 1/4")  |
| Mitsubishi Grandis, 5dr MPV Sep 04-11  | AU, NZ   | X = 846 mm (33 1/4")  | X = 824 mm (32 1/2")  | A = 190 mm (7 1/2")   | B = 970 mm (38 1/4")  |
| Mitsubishi Lancer CG, 4dr Sedan Jun 02-Jul 03                                    | AU   | X = 816 mm (32 1/8")  | X = 774 mm (30 1/2")  | -A = 270 mm (10 5/8") | B = 460 mm (18 1/8")  |
| Mitsubishi Lancer CH/CS, 4dr Sedan Aug 03-Aug 07                                 | AU   | X = 816 mm (32 1/8")  | X = 774 mm (30 1/2")  | -A = 270 mm (10 5/8") | B = 460 mm (18 1/8")  |
| Mitsubishi Lancer CH/CS, 5dr Wagon Aug 03-Aug 07                                 | AU   | X = 810 mm (31 7/8")  | X = 780 mm (30 3/4")  | -A = 150 mm (5 7/8")  | B = 600 mm (23 5/8")  |
| Mitsubishi Lancer EVO VII, 4dr Sedan Mar 01-Jan 03                               | AU, EU, NZ   | X = 820 mm (32 1/4")  | X = 770 mm (30 3/8")  | -A = 260 mm (10 2/8") | B = 440 mm (17 3/8")  |
| Mitsubishi Lancer EVO VIII, 4dr Sedan 03-05                                      | AU, EU, NZ   | X = 820 mm (32 1/4")  | X = 770 mm (30 3/8")  | -A = 260 mm (10 2/8") | B = 440 mm (17 3/8")  |
| Mitsubishi Lancer, 4dr Sedan 00-03   | EU, ZA   | X = 816 mm (32 1/8")  | X = 774 mm (30 1/2")  | -A = 270 mm (10 5/8") | B = 460 mm (18 1/8")  |
| Mitsubishi Lancer, 4dr Sedan Feb 01-Jul 03                                       | NZ   | X = 816 mm (32 1/8")  | X = 774 mm (30 1/2")  | -A = 270 mm (10 5/8") | B = 460 mm (18 1/8")  |
| Mitsubishi Lancer, 4dr Sedan 03-06   | ZA   | X = 816 mm (32 1/8")  | X = 774 mm (30 1/2")  | -A = 270 mm (10 5/8") | B = 460 mm (18 1/8")  |
| Mitsubishi Lancer, 4dr Sedan 03-07   | EU   | X = 816 mm (32 1/8")  | X = 774 mm (30 1/2")  | -A = 270 mm (10 5/8") | B = 460 mm (18 1/8")  |
| Mitsubishi Lancer, 4dr Sedan Aug 03-Aug 07                                       | NZ   | X = 816 mm (32 1/8")  | X = 774 mm (30 1/2")  | -A = 270 mm (10 5/8") | B = 460 mm (18 1/8")  |
| Mitsubishi Lancer, 5dr Estate 00-03  | EU   | X = 805 mm (31 3/4")  | X = 775 mm (30 1/2")  | -A = 135 mm (5 3/8")  | B = 615 mm (24 1/4")  |
| Mitsubishi Lancer, 5dr Wagon Feb 01-Jul 03                                       | NZ   | X = 805 mm (31 3/4")  | X = 775 mm (30 1/2")  | -A = 135 mm (5 3/8")  | B = 615 mm (24 1/4")  |
| Mitsubishi Lancer, 5dr Wagon Aug 03-Aug 07                                       | NZ   | X = 810 mm (31 7/8")  | X = 780 mm (30 3/4")  | -A = 150 mm (5 7/8")  | B = 600 mm (23 5/8")  |
| Mitsubishi Legnum, 5dr Wagon 96-03   | NZ   | X = 755 mm (29 3/4")  | X = 720 mm (28 3/8")  | A = 150 mm (5 7/8")   | B = 800 mm (31 1/2")  |
| Mitsubishi Montero, 3dr SUV 99-06  | CN, EU   | X = 900 mm (35 3/8")  | X = 894 mm (35 1/4")  | -A = 100 mm (3 7/8")  | B = 670 mm (26 3/8")  |
| Mitsubishi Montero, 5dr SUV 99-06  | EU   | X = 900 mm (35 3/8")  | X = 900 mm (35 3/8")  | -A = 50 mm (2")       | B = 700 mm (27 1/2")  |
| Mitsubishi Nimbus UG, 5dr MPV Nov 98-Jun 04                                      | AU   | X = 830 mm (32 5/8")  | X = 794 mm (31 1/4")  | -A = 300 mm (11 3/4") | B = 550 mm (21 5/8")  |
| Mitsubishi Nimbus, 5dr MPV Nov 98-Jun 04   | NZ   | X = 830 mm (32 5/8")  | X = 794 mm (31 1/4")  | -A = 300 mm (11 3/4") | B = 550 mm (21 5/8")  |
| Mitsubishi Outlander, 5dr SUV 03-06  | EU   | -                     | -                     | -                     | -                     |
| Mitsubishi Outlander, 5dr SUV Feb 03-Jan 06                                      | AU   | -                     | -                     | -                     | -                     |
| Mitsubishi Pajero iO, 3dr SUV Jul 97-Jul 03                                      | NZ   | -                     | -                     | -                     | -                     |
| Mitsubishi Pajero iO, 3dr SUV 99-03  | ZA   | -                     | -                     | -                     | -                     |
| Mitsubishi Pajero iO, 3dr SUV Mar 99-Jul 03                                      | AU   | -                     | -                     | -                     | -                     |
| Mitsubishi Pajero iO, 5dr SUV 99-03  | ZA   | -                     | -                     | -                     | -                     |
| Mitsubishi Pajero iO, 5dr SUV Mar 99-Jul 03                                      | AU   | -                     | -                     | -                     | -                     |
| Mitsubishi Pajero LWB NM/NP, 5dr SUV May 00-Oct 06                               | NZ   | X = 900 mm (35 3/8")  | X = 900 mm (35 3/8")  | -A = 50 mm (2")       | B = 700 mm (27 1/2")  |
| Mitsubishi Pajero LWB NM/NP, 5dr SUV May 00-Feb 07                               | AU   | X = 900 mm (35 3/8")  | X = 900 mm (35 3/8")  | -A = 50 mm (2")       | B = 700 mm (27 1/2")  |
| Mitsubishi Pajero LWB, 5dr SUV 99-06   | ZA   | X = 900 mm (35 3/8")  | X = 900 mm (35 3/8")  | -A = 50 mm (2")       | B = 700 mm (27 1/2")  |
| Mitsubishi Pajero LWB, 5dr SUV Mar 07+   | NZ   | X = 900 mm (35 3/8")  | X = 900 mm (35 3/8")  | -A = 50 mm (2")       | B = 700 mm (27 1/2")  |
| Mitsubishi Pajero NS, 5dr SUV Mar 07+  | AU   | X = 900 mm (35 3/8")  | X = 900 mm (35 3/8")  | -A = 50 mm (2")       | B = 700 mm (27 1/2")  |
| Mitsubishi Pajero SWB, 3dr SUV Jun 00-Oct 06                                     | NZ   | X = 900 mm (35 3/8")  | X = 894 mm (35 1/4")  | -A = 100 mm (3 7/8")  | B = 670 mm (26 3/8")  |
| Mitsubishi Pajero SWB, 3dr SUV Jun 00-Feb 07                                     | AU   | X = 900 mm (35 3/8")  | X = 894 mm (35 1/4")  | -A = 100 mm (3 7/8")  | B = 670 mm (26 3/8")  |
| Mitsubishi Pajero SWB, 3dr SUV Mar 07+   | AU, NZ   | X = 900 mm (35 3/8")  | X = 894 mm (35 1/4")  | -A = 100 mm (3 7/8")  | B = 670 mm (26 3/8")  |
| Mitsubishi Pajero, 5dr SUV 00-07   | CN, EU   | X = 900 mm (35 3/8")  | X = 900 mm (35 3/8")  | -A = 50 mm (2")       | B = 700 mm (27 1/2")  |
| Mitsubishi Pinin, 5dr SUV 98-07  | EU   | -                     | -                     | -                     | -                     |
| Toyota Granvia, 4dr MPV 96-04  | AU, EU, NZ   | X = 1036 mm (40 6/8") | X = 1036 mm (40 6/8") | A = 500 mm (19 5/8")  | B = 1100 mm (43 1/4") |
| Toyota Regius, 4dr MPV 97-02   | NZ   | -                     | -                     | A = 500 mm (19 5/8")  | B = 1100 mm (43 1/4") |

**11**

**2 Nm  
(18 lb-in)**

**a**

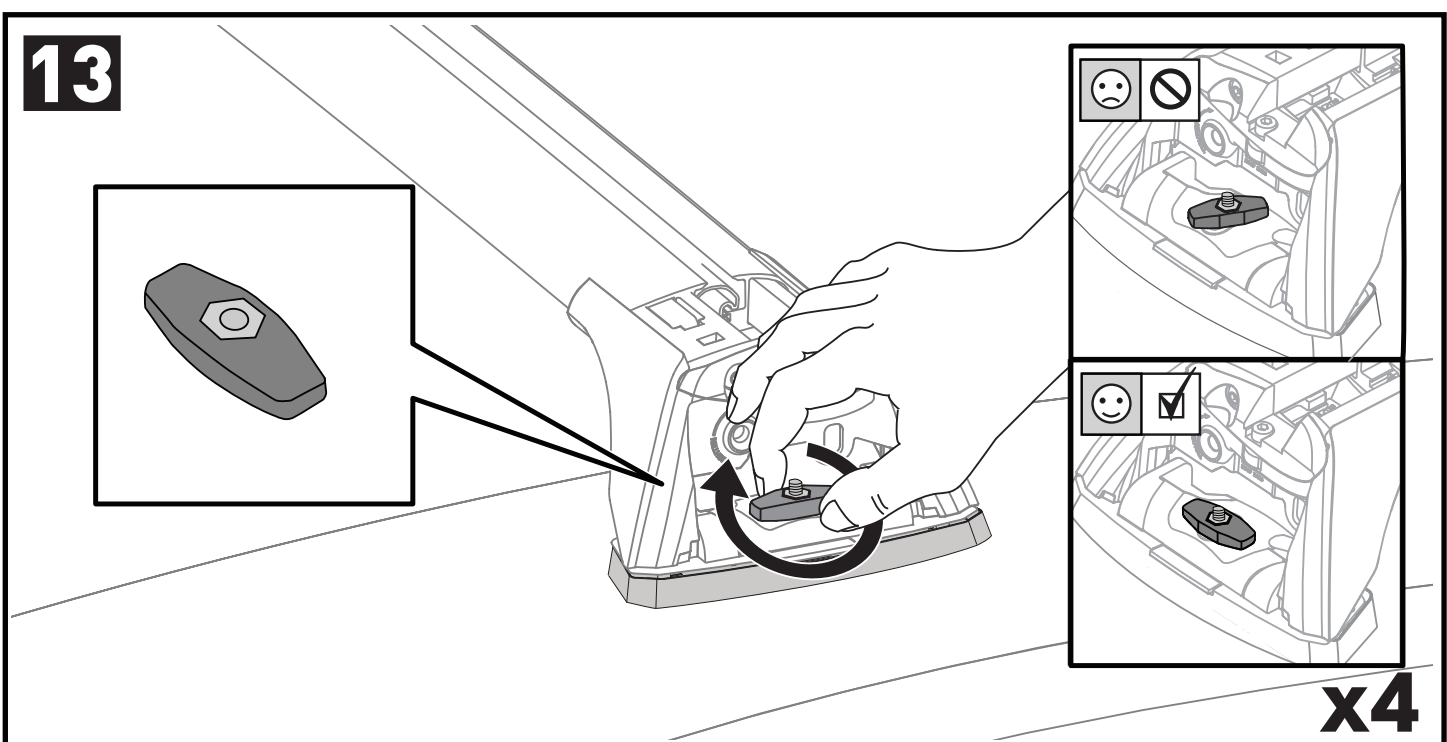
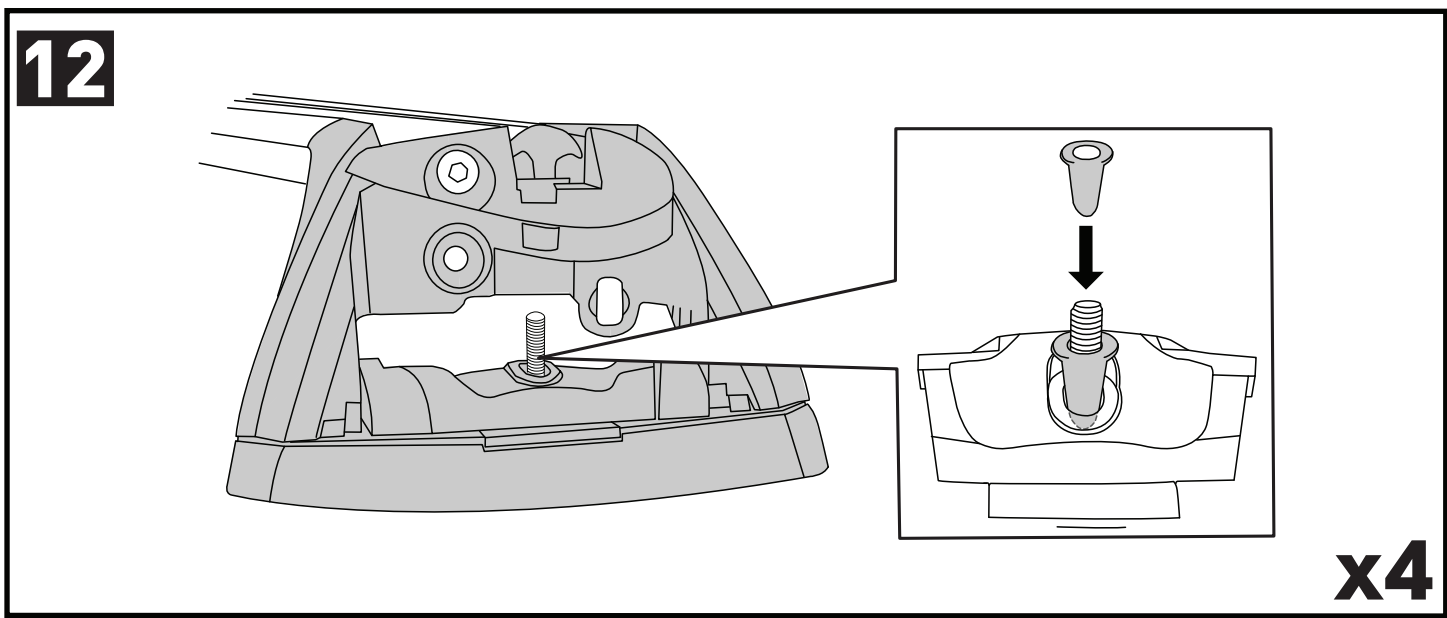
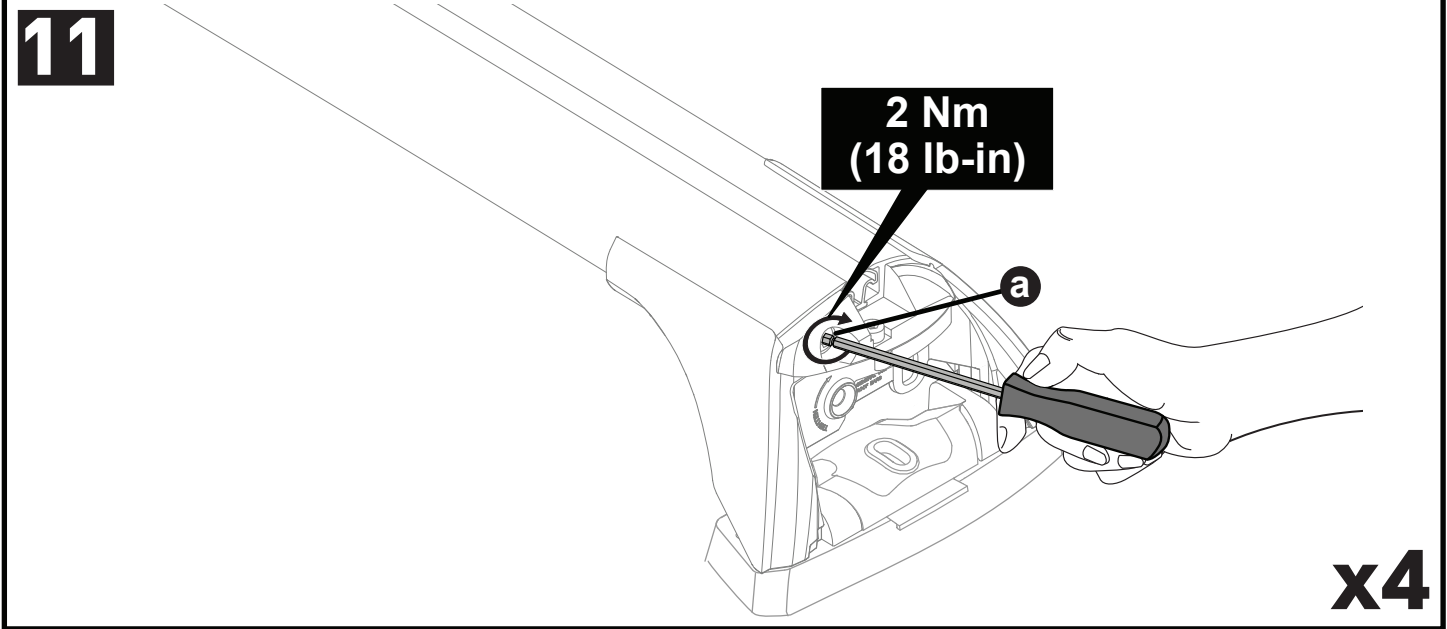
**x4**

**12**

**x4**

**13**

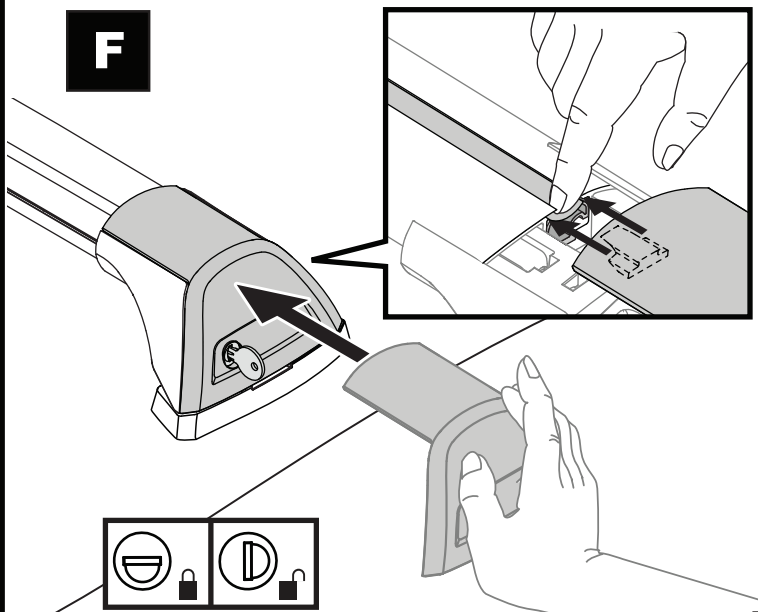
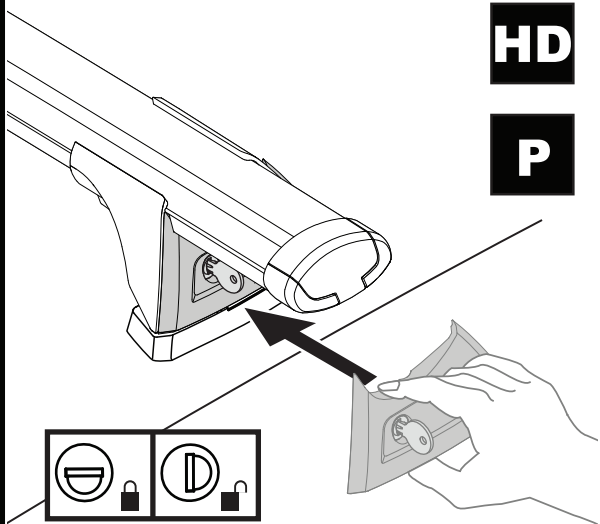
**x4**



**14**

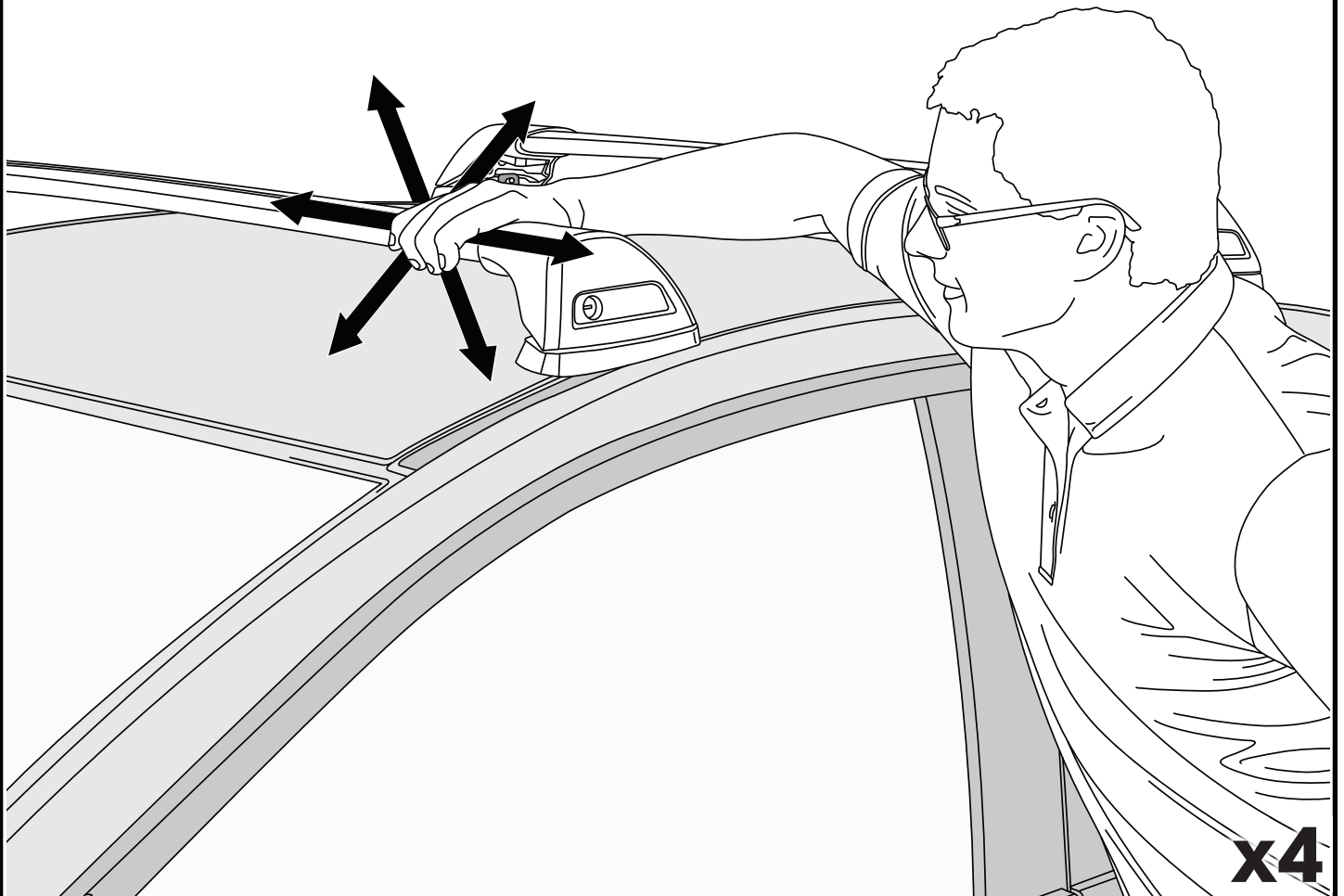
**T**  
**HD**  
**P**

**F**



**x4**

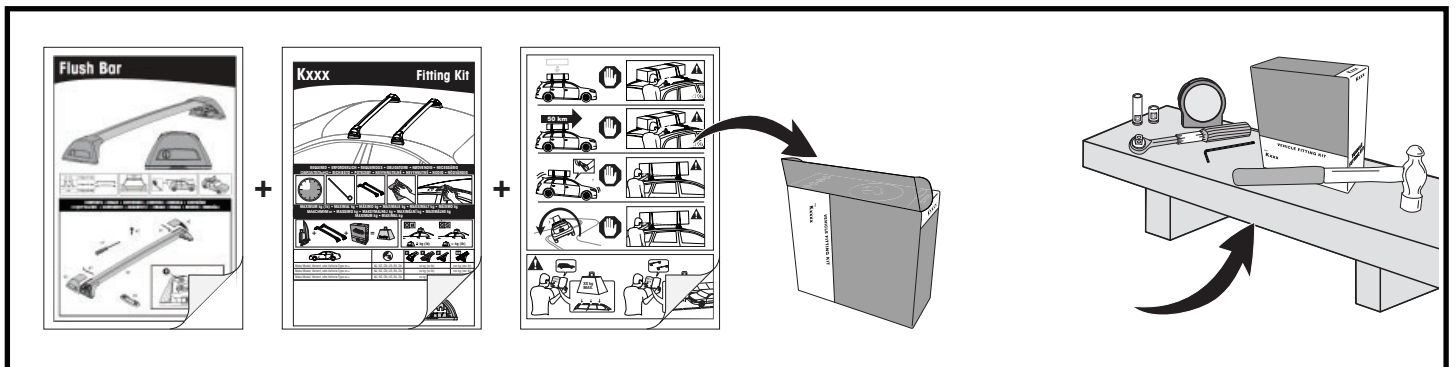
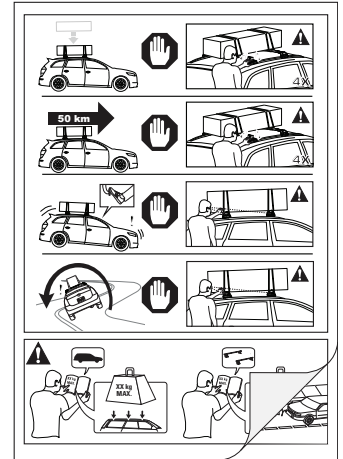
**15**



**x4**

**ATTENTION • ACHTUNG • ATENCIÓN • ATTENTION • OPPMERKSOMHET • ATENÇÃO • ВНИМАНИЕ • ATTENZIONE  
 UWAGA • UPOZORNĚNÍ • UPOZORNENIE • LET OP • UPPMÄRKSAMHET • ОПМÆRКСОМНED • УБАГА • HUOMIO**

- EN** Please read safety and warranty booklet included with this product prior to use. For more information visit your local dealer.
- DE** Bitte lesen und beachten Sie die beiliegende Montageanleitung, Sicherheitshinweise und Garantiebedingungen bevor Sie das Produkt montieren/benutzen. Für weitere Informationen kontaktieren Sie bitte Ihnen Händler.
- ES** Por favor, lea folleto de seguridad y garantía que se incluye con este producto antes de su uso . Para obtener más información, visite a su distribuidor local.
- FR** Veuillez lire attentivement le manuel de sécurité et de garantie avant utilisation. Pour plus d'informations, visitez votre concessionnaire local.
- NO** Vennligst les hefte om sikkerhet og garanti som er vedlagt dette produkt før det tas i bruk. For mer informasjon ta kontakt med din forhandler.
- PT** Por favor leia o manual de segurança e garantia incluído, antes de utilizar o produto. Para mais informações visite o seu revendedor local.
- RU** Пожалуйста, ознакомьтесь с инструкцией перед тем, как использовать товар. Для получения более подробной информации обратитесь к местному дилеру.
- IT** Si prega di leggere il libretto di sicurezza e garanzia incluso nel prodotto prima dell'uso. Per maggiori informazioni visita il rivenditore locale.
- PL** Proszę zapoznać się z warunkami gwarancji i bezpieczeństwa przed użyciem produktu. W celu uzyskania dodatkowych informacji proszę kontaktować się z najbliższym autoryzowanym punktem sprzedaży.
- CS** Před použitím si prosím přečtete přiložené informace o bezpečnosti a záručních podmínkách. Pro více informací navštivte nejbližšího dealera.
- SK** Pred použitím si prosím prečítajte priložené informácie o bezpečnosti a záručných podmienkach. Pre viac informácií navštívte najbližšieho diera.
- NL** A.U.B. bijgesloten garantie- en veiligheidsinstructies grondig lezen voor gebruik van dit product. Voor meer informatie graag contact opnemen met uw dealer.
- SV** Var snäll och läs igenom säkerhets- och garantihäftet som medföljer produkten före användning. För mer information besök din lokala återförsäljare.
- DK** Læs venligst sikkerheds- og garantibogsholderen, der følger med dette produkt, inden brug. For mere information besøg din lokale forhandler.
- UA** Будь ласка, ознайомтеся з бронею безпеки та гарантії, включені до цього продукту перед використанням. Для отримання додаткової інформації відвідайте місцевого дилера.
- FI** Lue tämän tuotteen mukana toimitetut turvallisuus- ja takuu huoltopalvelut ennen käyttöä. Lisätietoja saat paikalliselta jälleenmyyjältä.



Yakima Australia Pty Ltd  
 17 Hinkler Court, Brendale  
 QLD 4500, Australia  
 1800 143 548  
 www.prorack.com.au  
 www.whispbar.com.au  
 www.yakima.com.au

Yakima Products, Inc.  
 4101 Kruse Way  
 Lake Oswego, OR, 97035 USA  
 888 925 4621  
 www.yakima.com

WORKS WITH: