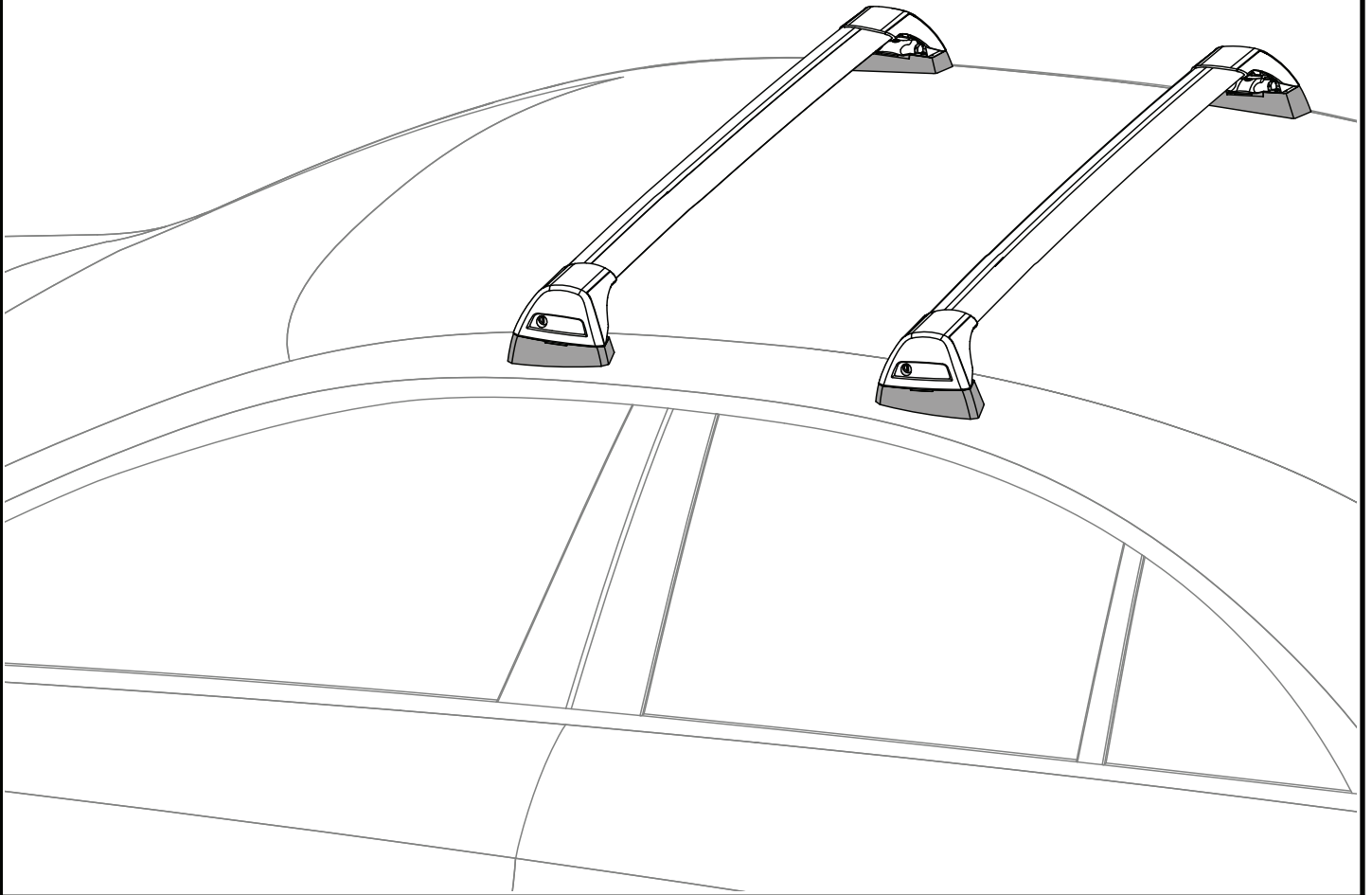
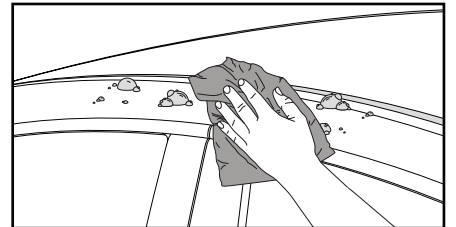
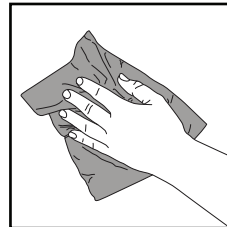
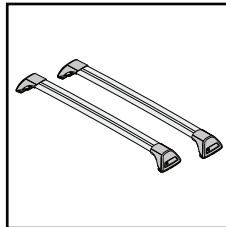
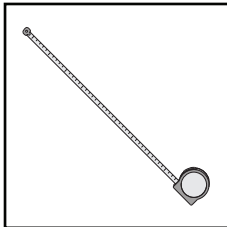
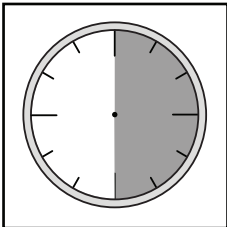


# K435

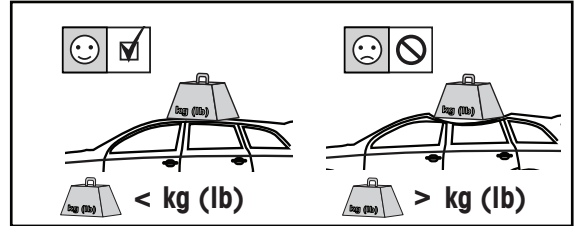
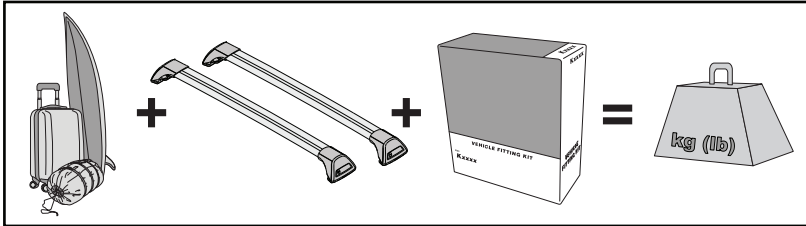
# Fitting Kit



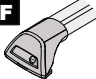
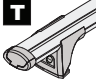

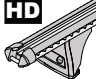


REQUIRED • ERFORDERLICH • REQUERIDOS • OBLIGATOIRE • NØDVENDIG • NECESSÁRIO • ОБЯЗАТЕЛЬНО • OBBLIGATORIO  
POTRZEBY • NEVYHNUTELNÉ • NEVYHNUTNÉ • NODIG • NÖDVÄNDIG • PÅKRÆVET • ПОТРІБНА • EDELLYTETÄÄN

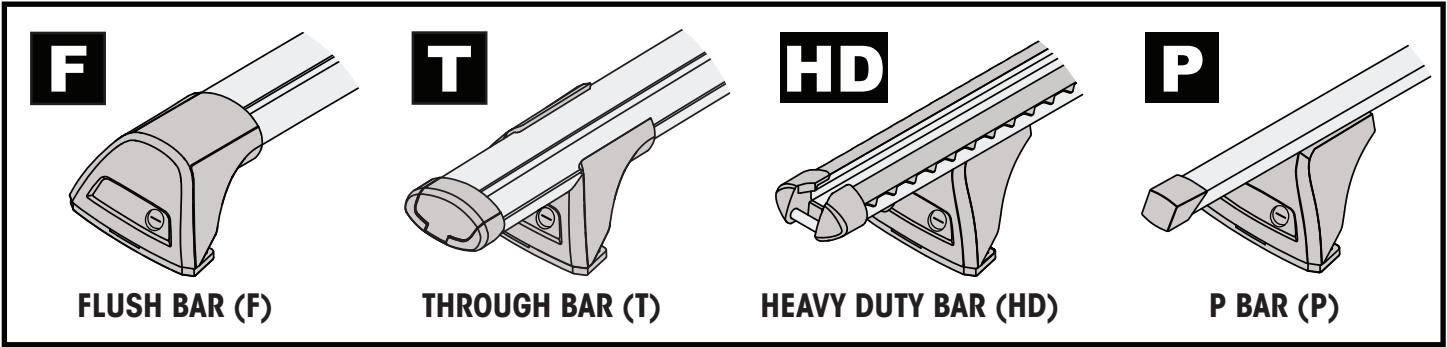
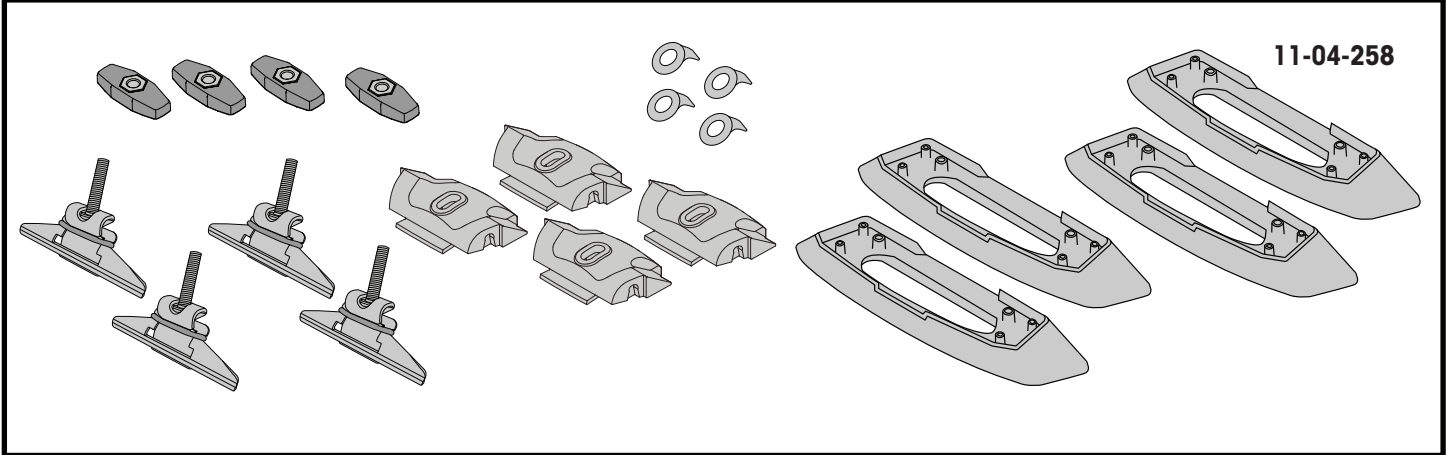


**MAXIMUM kg (lb) • MAXIMUM kg • MÁXIMO kg • MAXIMUM kg • МАКСИМАЛТ kg • MÁXIMO kg  
 МАКСИМУМ кг • MASSIMO kg • MAKSIMALNEJ kg • MAXIMÁLNI kg • MAXIMÁLNE kg  
 MAXIMUM kg • MAXIMAL kg • MAKSIMAL kg • МАКСИМАЛЪНА kg • ENIMMÄISMÄÄRÄ kg**

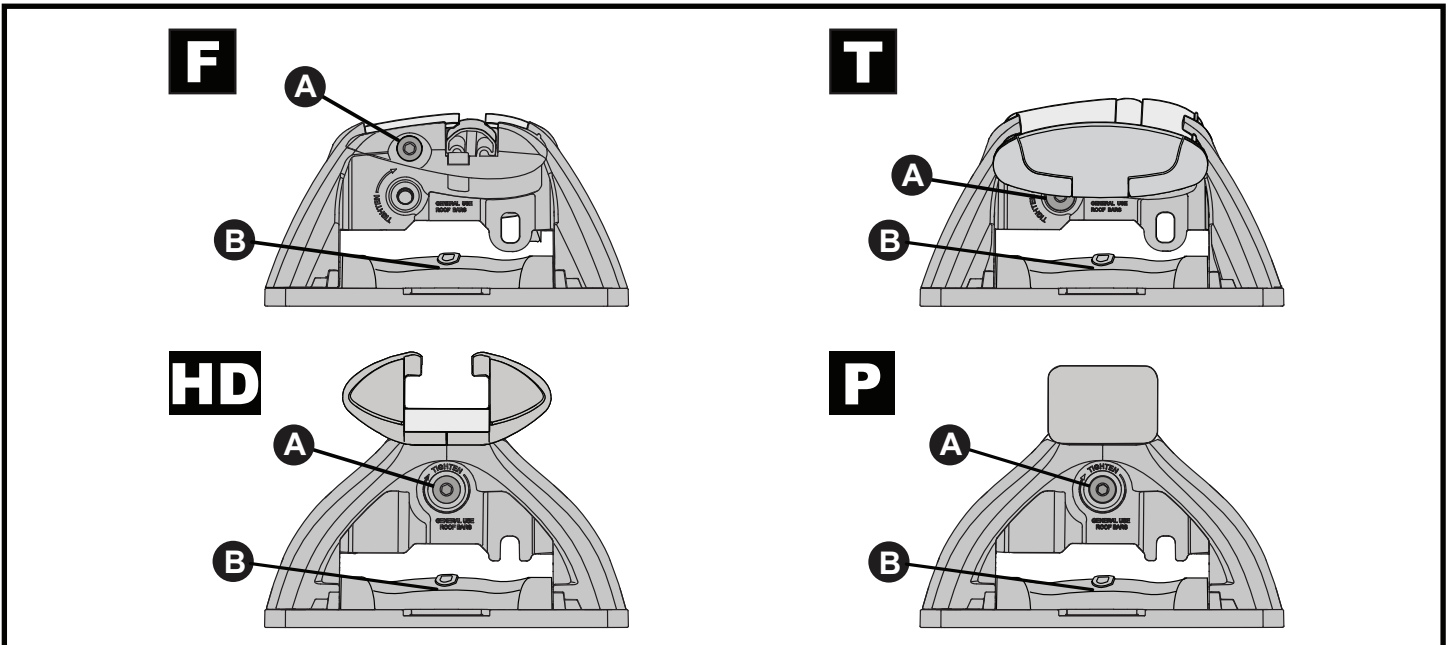
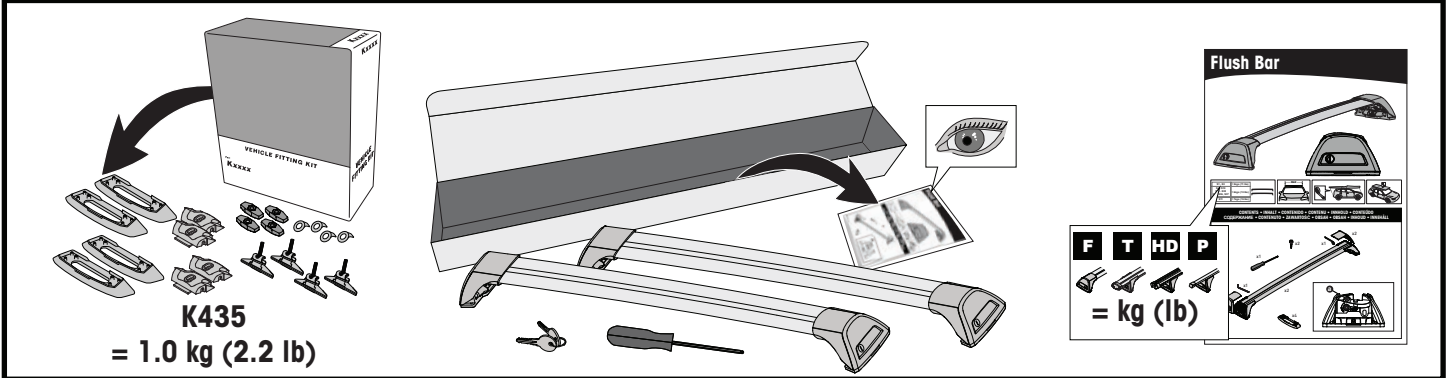


		<b>F</b>  <b>T</b>  <b>P</b> 	<b>HD</b> 
Daewoo Cielo, 3dr Hatch 94-98	EU	50 kg (110 lb)	50 kg (110 lb)
Daewoo Cielo, 3dr Hatch Sep 95-Jul 98	NZ	50 kg (110 lb)	50 kg (110 lb)
Daewoo Cielo, 4dr Sedan 94-98	EU	50 kg (110 lb)	50 kg (110 lb)
Daewoo Cielo, 4dr Sedan 95-97	ZA	50 kg (110 lb)	50 kg (110 lb)
Daewoo Cielo, 4dr Sedan Aug 95-Apr 98	AU	50 kg (110 lb)	50 kg (110 lb)
Daewoo Cielo, 5dr Hatch 94-98	EU	50 kg (110 lb)	50 kg (110 lb)
Daewoo Cielo, 5dr Hatch Aug 95-Apr 98	AU	50 kg (110 lb)	50 kg (110 lb)
Daewoo Cielo, 5dr Hatch Sep 95-Jul 98	NZ	50 kg (110 lb)	50 kg (110 lb)
Daewoo Le Mans, 4dr Sedan 87-94	EU	50 kg (110 lb)	50 kg (110 lb)
Daewoo Le Mans, 5dr Hatch 87-94	EU	50 kg (110 lb)	50 kg (110 lb)
Holden Astra TS, 5dr Hatch Dec 98-Oct 04	AU	75 kg (165 lb)	75 kg (165 lb)
Holden Astra, 5dr Hatch Dec 98- Jun 04	NZ	75 kg (165 lb)	75 kg (165 lb)
Holden Barina SB, 3dr Hatch Apr 94-Mar 01	AU	50 kg (110 lb)	50 kg (110 lb)
Holden Barina SB, 5dr Hatch Apr 94-Mar 05	AU	50 kg (110 lb)	50 kg (110 lb)
Holden Barina, 3dr Hatch 00-06	AU/NZ	50 kg (110 lb)	50 kg (110 lb)
Holden Barina, 5dr Hatch Jul 93-Jul 05	NZ	50 kg (110 lb)	50 kg (110 lb)
Holden Calibra, 2dr Coupe 89-97	AU/NZ	75 kg (165 lb)	75 kg (165 lb)
Holden Zafira, 5dr MPV 99-05	ZA	50 kg (110 lb)	50 kg (110 lb)
Land Rover Range Rover, 5dr SUV 95-01	EU/ZA	50 kg (110 lb)	50 kg (110 lb)
Land Rover Range Rover, 5dr SUV Jul 95-Dec 02	NZ	50 kg (110 lb)	50 kg (110 lb)
Land Rover Range Rover, 5dr SUV May 95-Jul 02	AU	50 kg (110 lb)	50 kg (110 lb)
Opel Astra, 5dr Hatch 98-03	EU	75 kg (165 lb)	75 kg (165 lb)
Opel Calibra, 2dr Coupe 89-97	EU/NZ	75 kg (165 lb)	75 kg (165 lb)
Opel Corsa C, 3dr Hatch 00-06	EU	50 kg (110 lb)	50 kg (110 lb)
Opel Corsa, 5dr Hatch 93-05	EU/ZA	50 kg (110 lb)	50 kg (110 lb)
Opel Zafira, 5dr MPV 98-04	EU/ZA	50 kg (110 lb)	50 kg (110 lb)
Pontiac Le Mans, 4dr Sedan Sep 87-Mar 93	NZ	50 kg (110 lb)	50 kg (110 lb)
Subaru Traviq, 5dr MPV 99-05	NZ	50 kg (110 lb)	50 kg (110 lb)
Vauxhall Astra, 5dr Hatch 98-03	EU	75 kg (165 lb)	75 kg (165 lb)
Vauxhall Calibra, 2dr Coupe 89-97	EU	75 kg (165 lb)	75 kg (165 lb)
Vauxhall Corsa C, 3dr Hatch 00-06	EU	50 kg (110 lb)	50 kg (110 lb)
Vauxhall Corsa, 5dr Hatch 93-05	EU	50 kg (110 lb)	50 kg (110 lb)
Vauxhall Zafira, 5dr MPV 98-04	EU	50 kg (110 lb)	50 kg (110 lb)

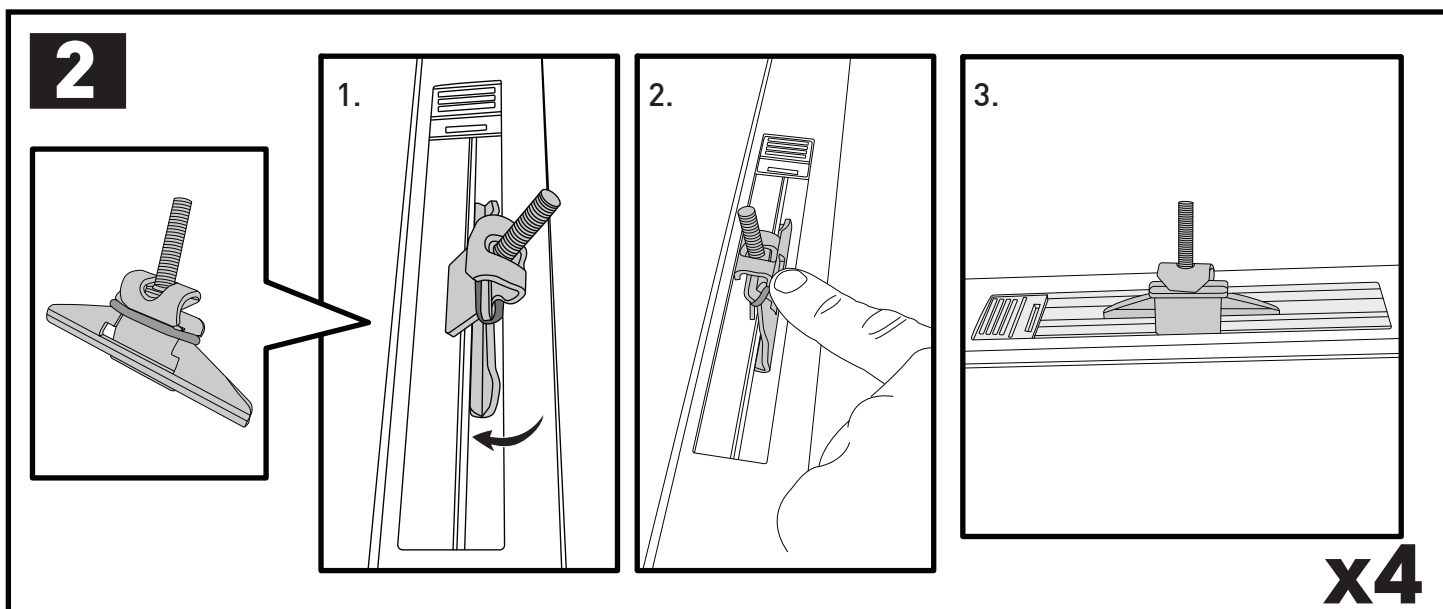
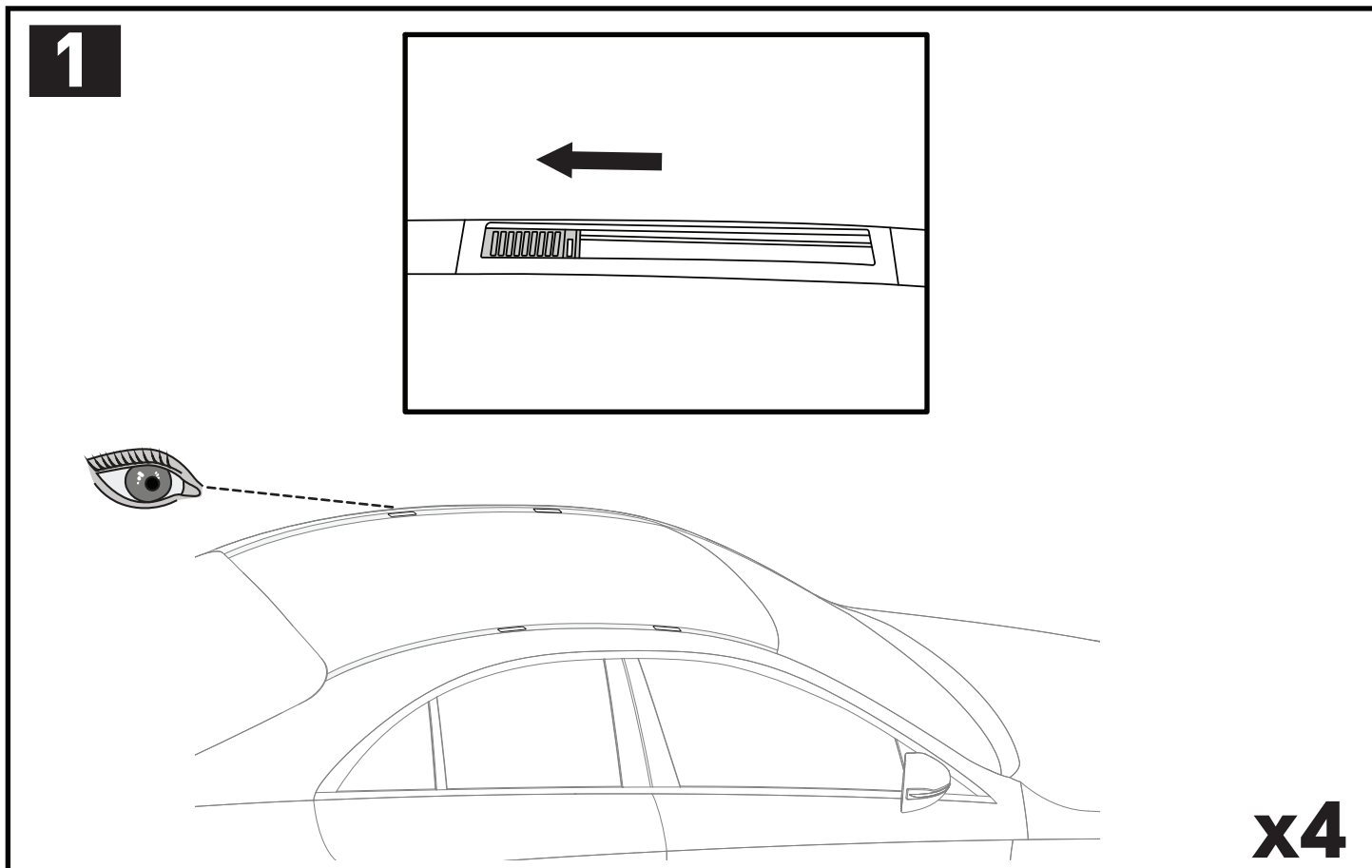
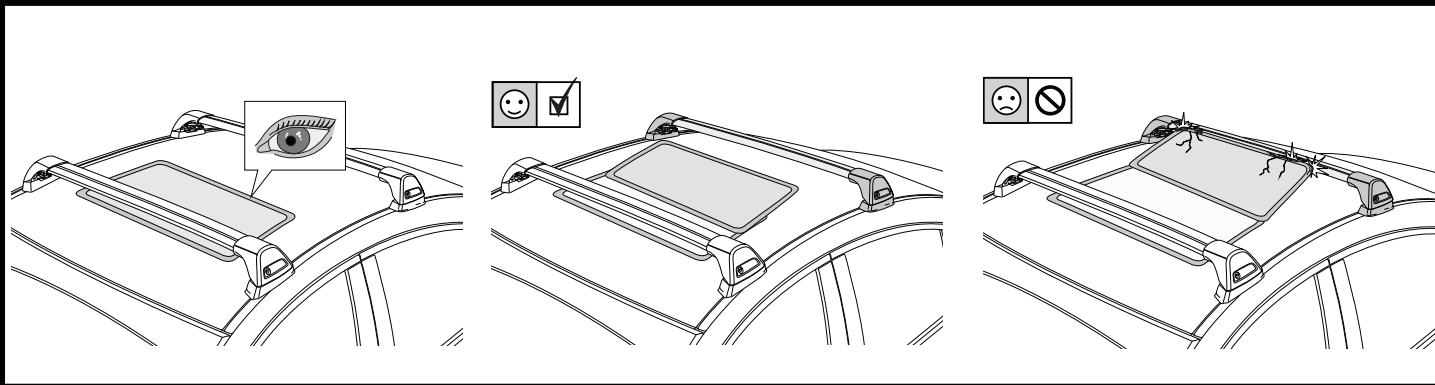
CONTENTS • INHALT • CONTENIDO • CONTENU • INNHOLD • CONTEÚDO • СОДЕРЖАНИЕ • CONTENUTO  
 ZAWARTOŚĆ • OBSAH • OBSAH • INHOUD • INNEHÅLL • INDHOLD • ЗМІСТ • SISÄLLYS

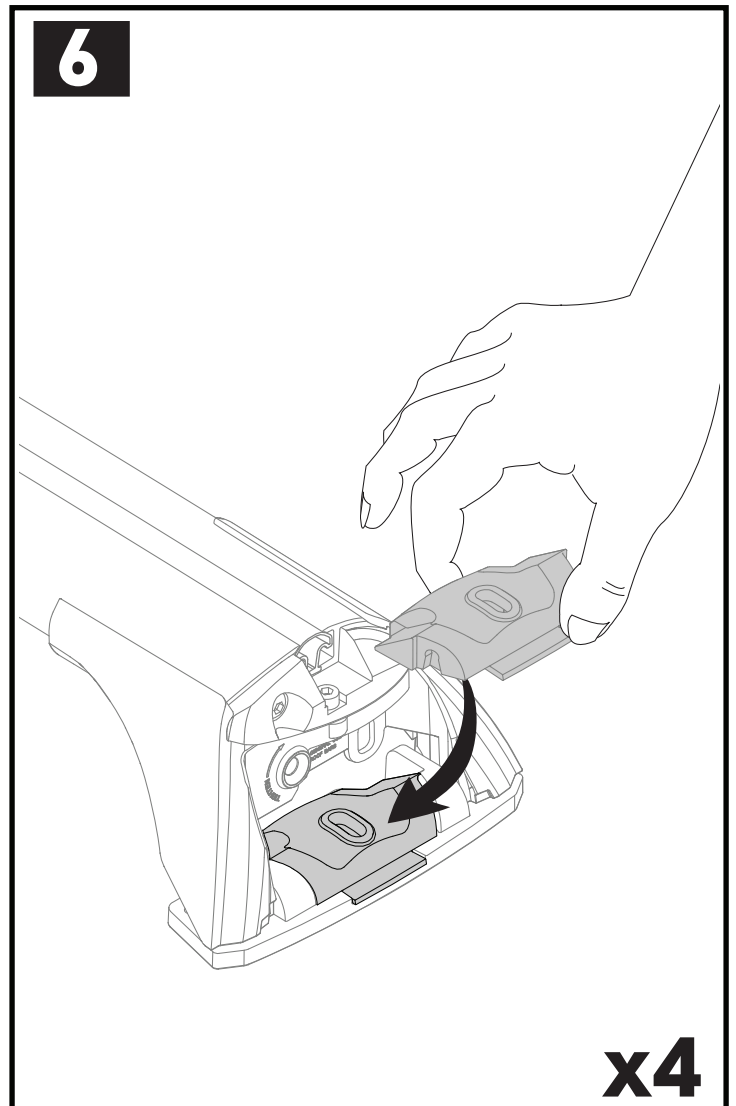
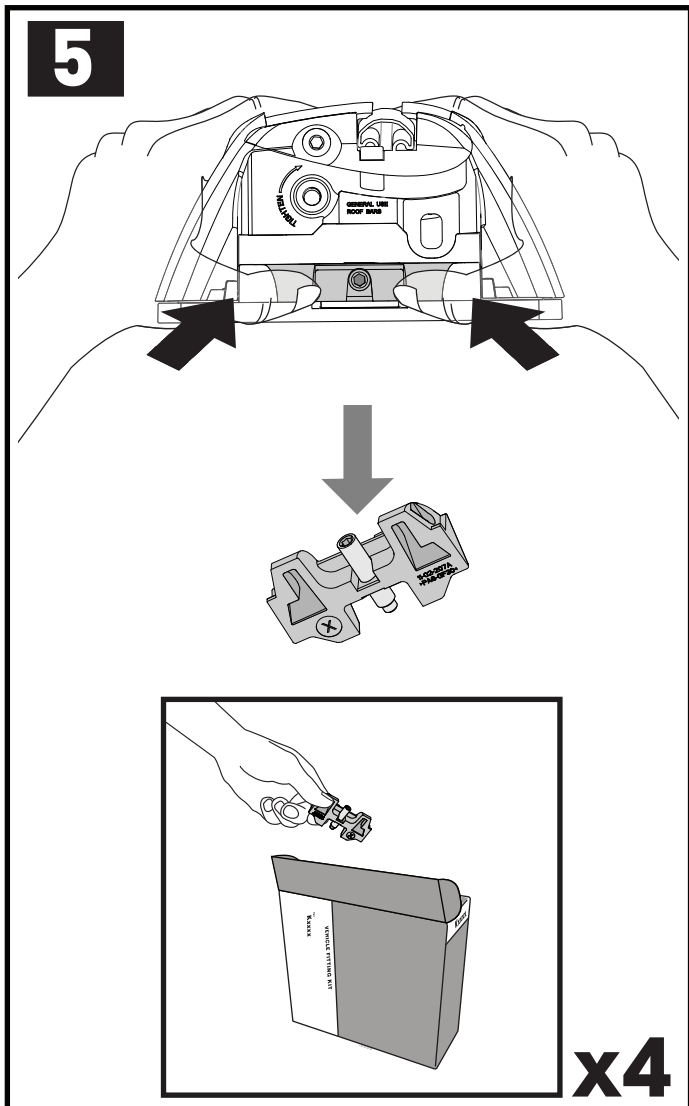
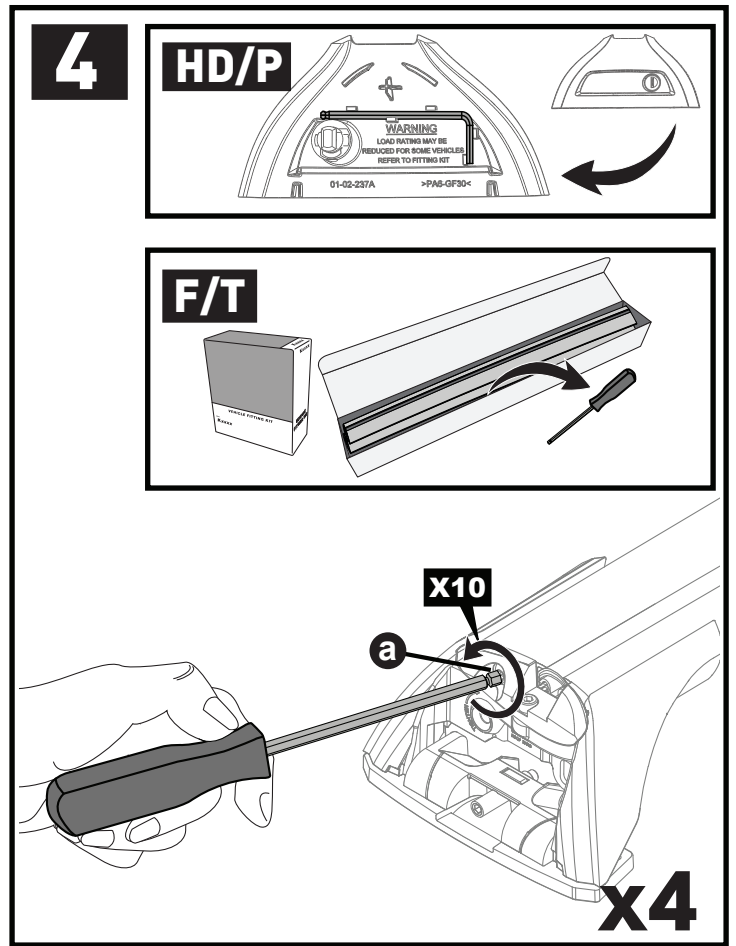
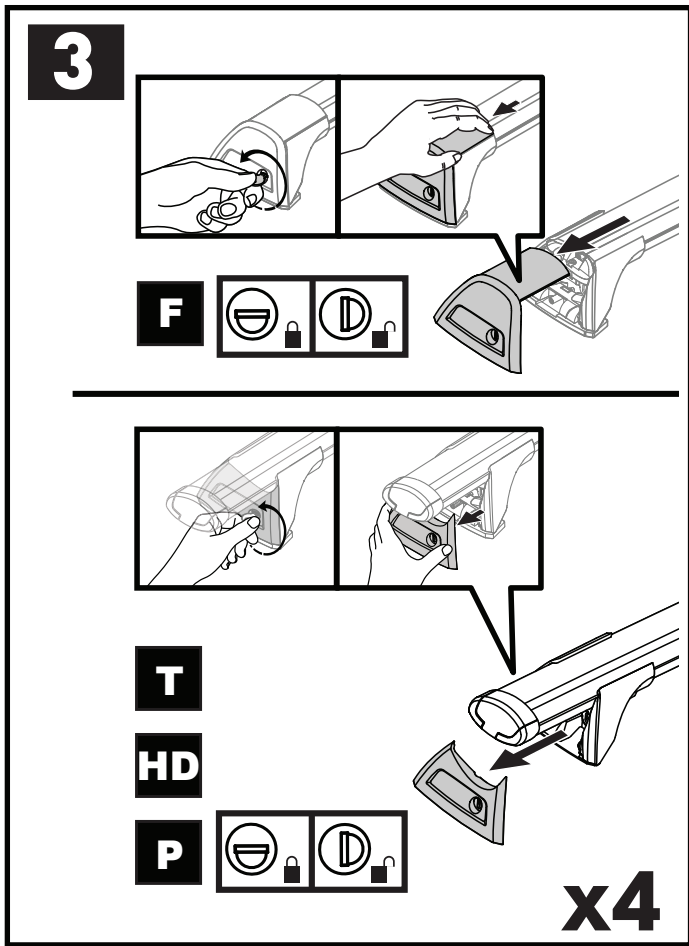


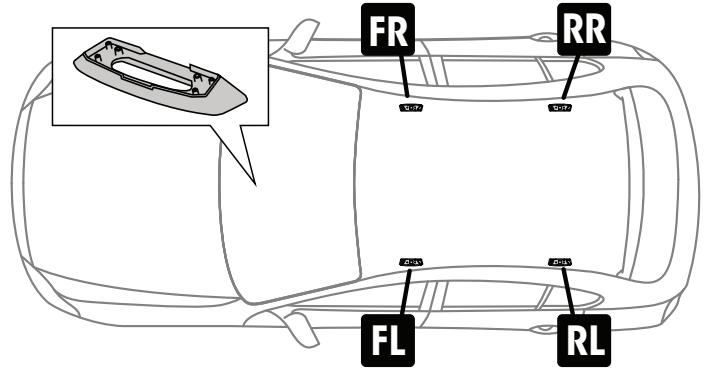
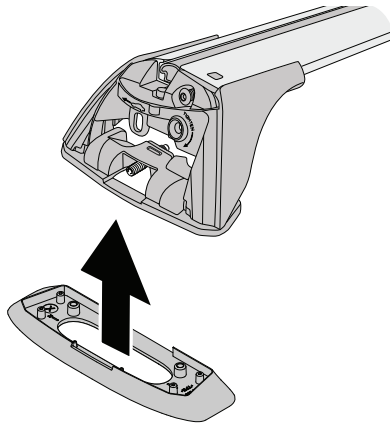
ATTENTION • ACHTUNG • ATENCIÓN • ATTENTION • OPPMERKSOMHET • ATENÇÃO • ВНИМАНИЕ • ATTENZIONE  
 UWAGA • UPOZORNĚNÍ • UPOZORNENIE • LET OP • UPPMÄRKSAMHET • OPMÆRKSOMHED • УВАГА • HUOMIO



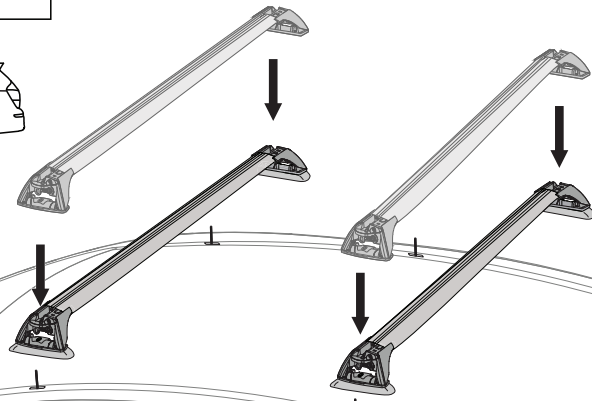
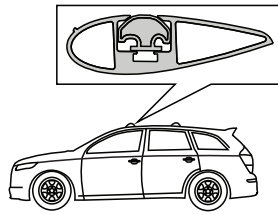
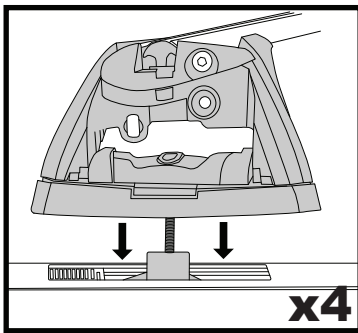
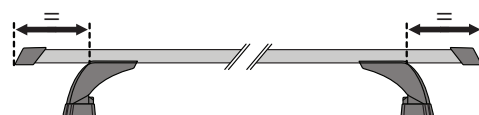
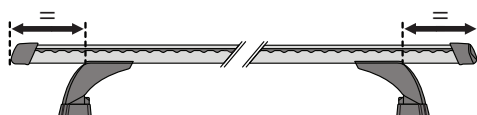
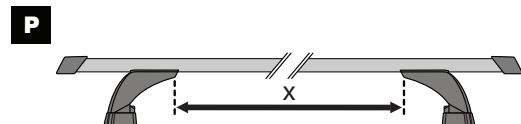
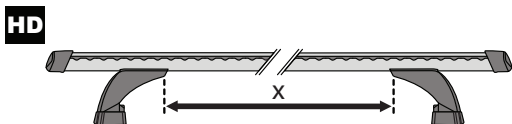
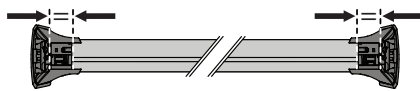
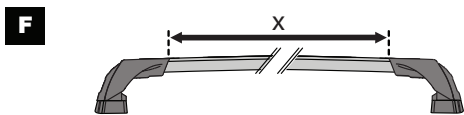
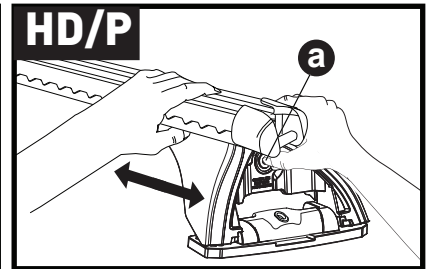
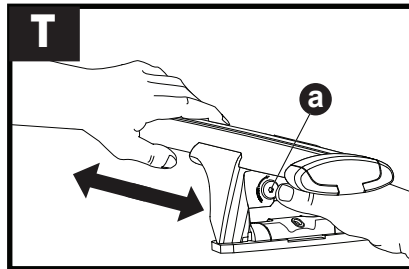
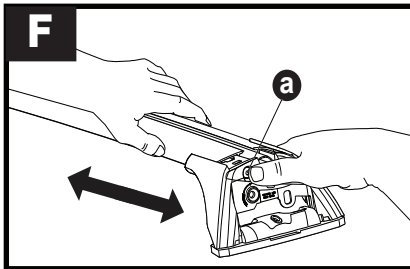
ATTENTION • ACHTUNG • ATENCIÓN • ATTENTION • OPPMERKSOMHET • ATENÇÃO • ВНИМАНИЕ • ATTENZIONE  
UWAGA • UPOZORNĚNÍ • UPOZORNENIE • LET OP • UPPMÄRKSAMHET • OPMÆRKSOMHED • УВАГА • HUOMIO



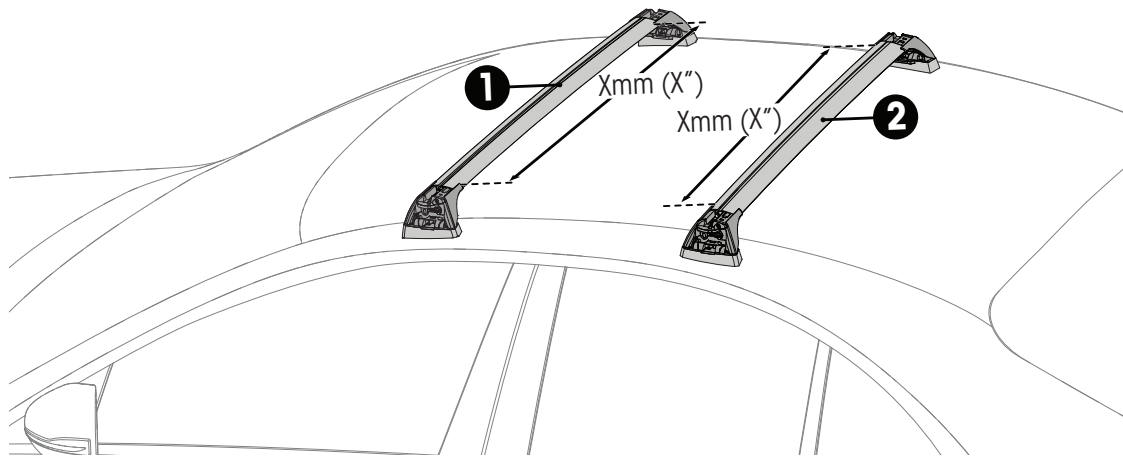




**7**

PLACEMENT • PLATZIERUNG • COLOCACIÓN • MONTAGE • PLASSERING • COLOCAÇÃO • РАЗМЕЩЕНИЕ • MONTAGGIO  
 UMIESZCZENIE • UMÍSTĚNÍ • UMIESTNENIE • PLAATSING • PLACERING • PLACERING • РОЗМІЩЕННЯ • SIJOITTA

**8****x2****9**





		X1	X2	A	B
Daewoo Cielo, 3dr Hatch 94-98	EU	-	-	-	-
Daewoo Cielo, 3dr Hatch Sep 95-Jul 98	NZ	-	-	-	-
Daewoo Cielo, 4dr Sedan 94-98	EU	-	-	-	-
Daewoo Cielo, 4dr Sedan 95-97	ZA	-	-	-	-
Daewoo Cielo, 4dr Sedan Aug 95-Apr 98	AU	-	-	-	-
Daewoo Cielo, 5dr Hatch 94-98	EU	-	-	-	-
Daewoo Cielo, 5dr Hatch Aug 95-Apr 98	AU	-	-	-	-
Daewoo Cielo, 5dr Hatch Sep 95-Jul 98	NZ	-	-	-	-
Daewoo Le Mans, 4dr Sedan 87-94	EU	-	-	-	-
Daewoo Le Mans, 5dr Hatch 87-94	EU	-	-	-	-
Holden Astra TS, 5dr Hatch Dec 98-Oct 04	AU	X = 770 mm (30 3/8")	X = 775 mm (30 1/2")	-A = 140 mm (5 1/5")	B = 510 mm (20 1/8")
Holden Astra, 5dr Hatch Dec 98- Jun 04	NZ	X = 770 mm (30 3/8")	X = 775 mm (30 1/2")	-A = 140 mm (5 1/5")	B = 510 mm (20 1/8")
Holden Barina SB, 3dr Hatch Apr 94-Mar 01	AU	X = 740 mm (29 1/8")	X = 730 mm (28 3/4")	-	-
Holden Barina SB, 5dr Hatch Apr 94-Mar 05	AU	X = 740 mm (29 1/8")	X = 730 mm (28 3/4")	A = 245 mm (9 5/8")	B = 425 mm (16 3/4")
Holden Barina, 3dr Hatch 00-06	AU/NZ	X = 778 mm (30 5/8")	X = 753 mm (29 5/8")	-A = 400 mm (15 3/4")	B = 300 mm (11 3/4")
Holden Barina, 5dr Hatch Jul 93-Jul 05	NZ	X = 740 mm (29 1/8")	X = 730 mm (28 3/4")	A = 245 mm (9 5/8")	B = 425 mm (16 3/4")
Holden Calibra, 2dr Coupe 89-97	AU/NZ	X = 780 mm (30 3/4")	X = 760 mm (29 7/8")	-A = 480 mm (18 7/8")	B = 110 mm (4 3/8")
Holden Zafira, 5dr MPV 99-05	ZA	X = 795 mm (31 1/4")	X = 765 mm (30 1/8")	-A = 20 mm (6/8")	B = 780 mm (30 3/4")
Land Rover Range Rover, 5dr SUV 95-01	EU/ZA	X = 940 mm (37")	X = 940 mm (37")	-A = 320 mm (12 5/8")	B = 375 mm (14 3/4")
Land Rover Range Rover, 5dr SUV Jul 95-Dec 02	NZ	X = 940 mm (37")	X = 940 mm (37")	-A = 320 mm (12 5/8")	B = 375 mm (14 3/4")
Land Rover Range Rover, 5dr SUV May 95-Jul 02	AU	X = 940 mm (37")	X = 940 mm (37")	-A = 320 mm (12 5/8")	B = 375 mm (14 3/4")
Opel Astra, 5dr Hatch 98-03	EU	X = 770 mm (30 3/8")	X = 775 mm (30 1/2")	-A = 140 mm (5 1/5")	B = 510 mm (20 1/8")
Opel Calibra, 2dr Coupe 89-97	EU/NZ	X = 780 mm (30 3/4")	X = 760 mm (29 7/8")	-A = 480 mm (18 7/8")	B = 110 mm (4 3/8")
Opel Corsa C, 3dr Hatch 00-06	EU	X = 778 mm (30 5/8")	X = 753 mm (29 5/8")	-A = 400 mm (15 3/4")	B = 300 mm (11 3/4")
Opel Corsa, 5dr Hatch 93-05	EU/ZA	X = 740 mm (29 1/8")	X = 730 mm (28 3/4")	A = 245 mm (9 5/8")	B = 425 mm (16 3/4")
Opel Zafira, 5dr MPV 98-04	EU/ZA	X = 795 mm (31 1/4")	X = 765 mm (30 1/8")	-A = 20 mm (6/8")	B = 780 mm (30 3/4")
Pontiac Le Mans, 4dr Sedan Sep 87-Mar 93	NZ	-	-	-	-
Subaru Traviq, 5dr MPV 99-05	NZ	X = 795 mm (31 1/4")	X = 765 mm (30 1/8")	-A = 20 mm (6/8")	B = 780 mm (30 3/4")
Vauxhall Astra, 5dr Hatch 98-03	EU	X = 770 mm (30 3/8")	X = 775 mm (30 1/2")	-A = 140 mm (5 1/5")	B = 510 mm (20 1/8")
Vauxhall Calibra, 2dr Coupe 89-97	EU	X = 780 mm (30 3/4")	X = 760 mm (29 7/8")	-A = 480 mm (18 7/8")	B = 110 mm (4 3/8")
Vauxhall Corsa C, 3dr Hatch 00-06	EU	X = 778 mm (30 5/8")	X = 753 mm (29 5/8")	-A = 400 mm (15 3/4")	B = 300 mm (11 3/4")
Vauxhall Corsa, 5dr Hatch 93-05	EU	X = 740 mm (29 1/8")	X = 730 mm (28 3/4")	A = 245 mm (9 5/8")	B = 425 mm (16 3/4")
Vauxhall Zafira, 5dr MPV 98-04	EU	X = 795 mm (31 1/4")	X = 765 mm (30 1/8")	-A = 20 mm (6/8")	B = 780 mm (30 3/4")

**10**

**2Nm  
(18 lb-in)**

**a**

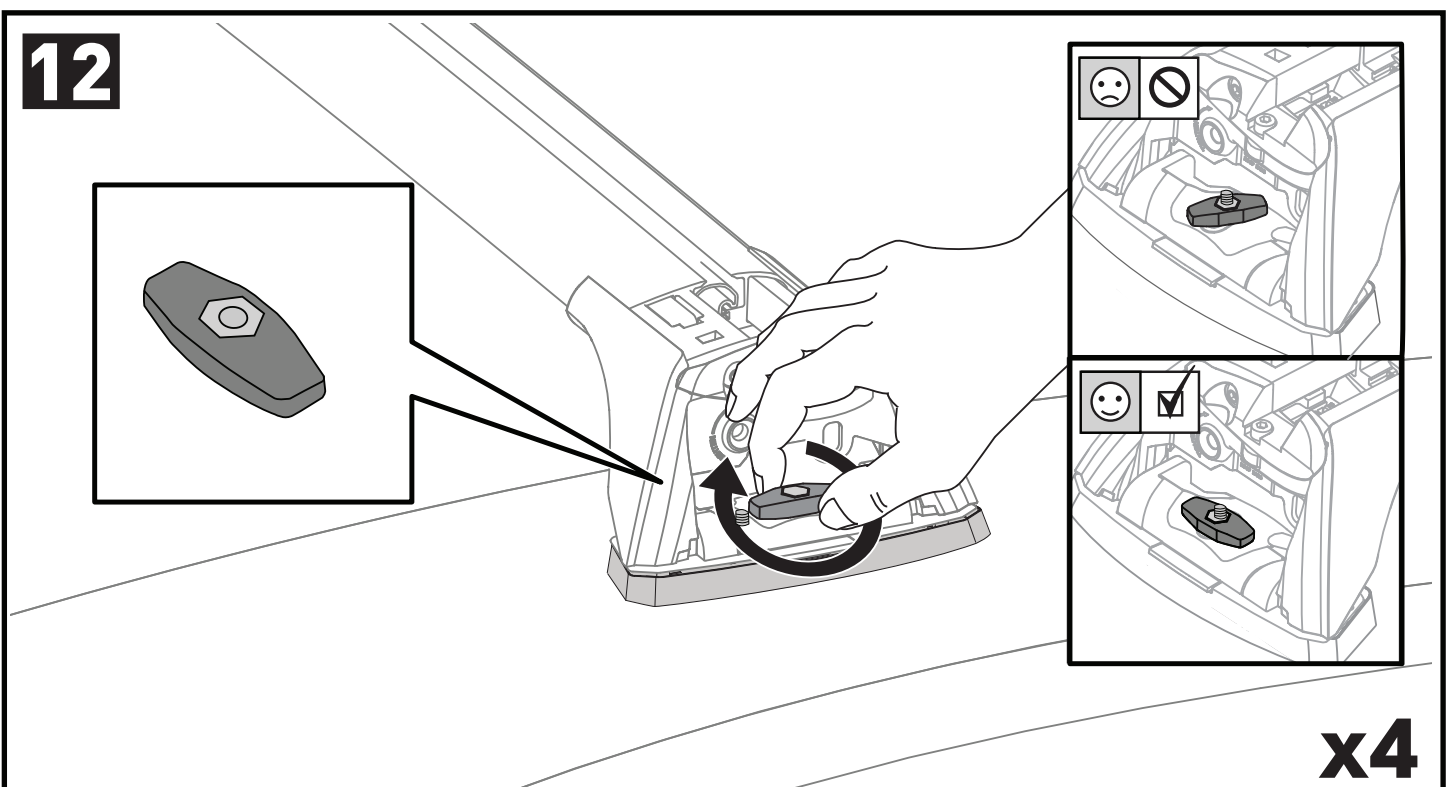
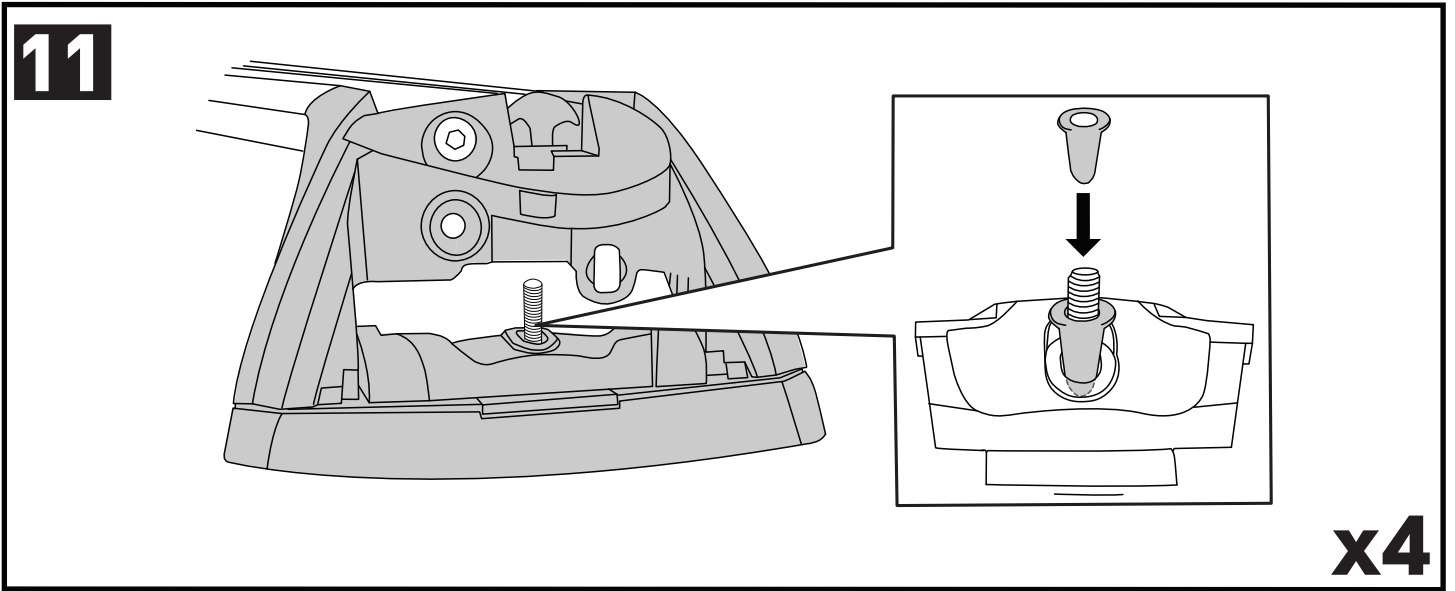
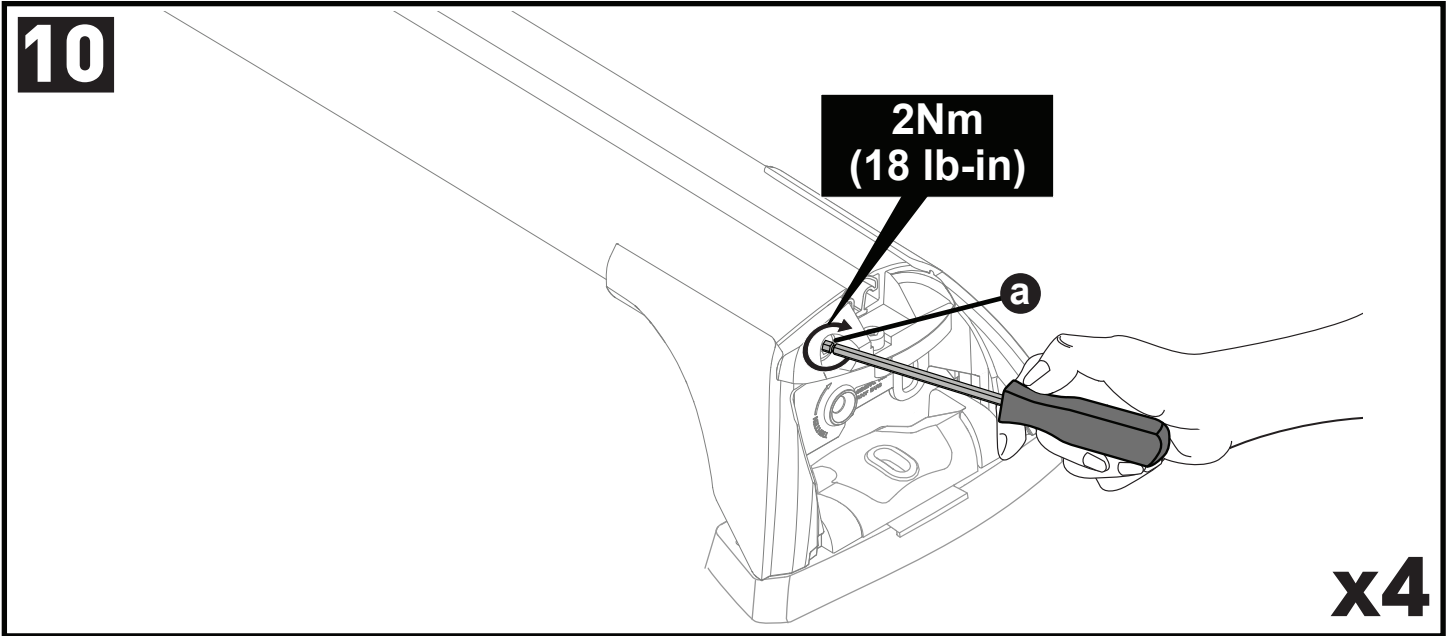
**x4**

**11**

**x4**

**12**

**x4**

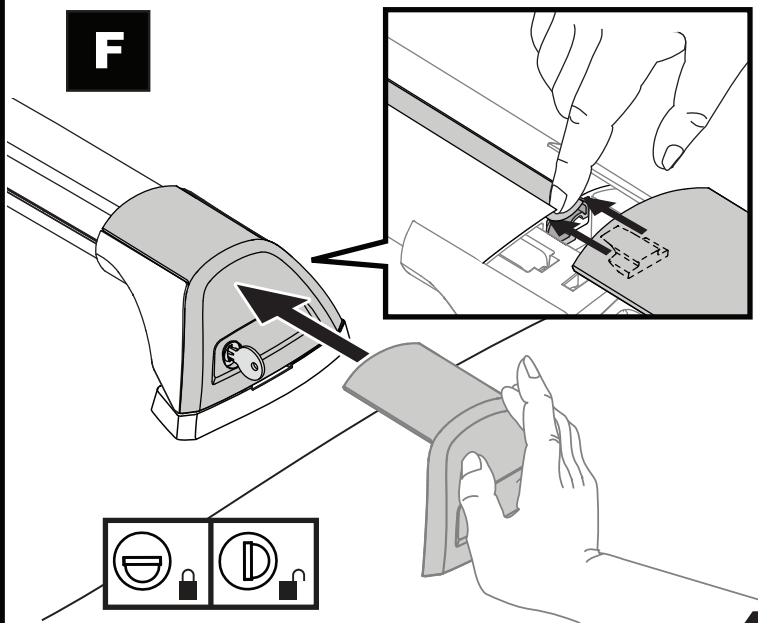
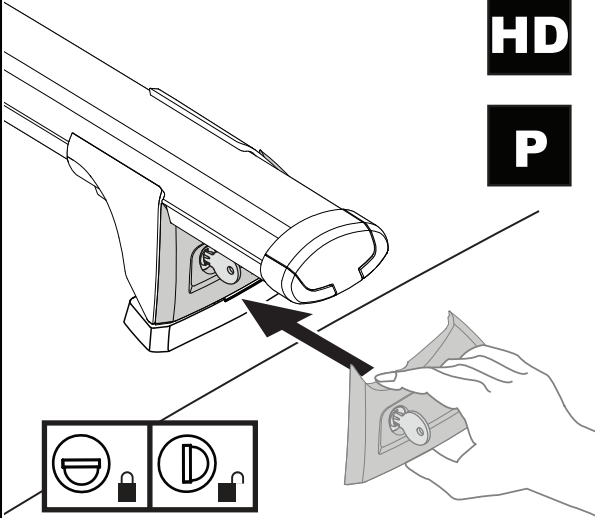




**13**

**T**  
**HD**  
**P**

**F**



**x4**

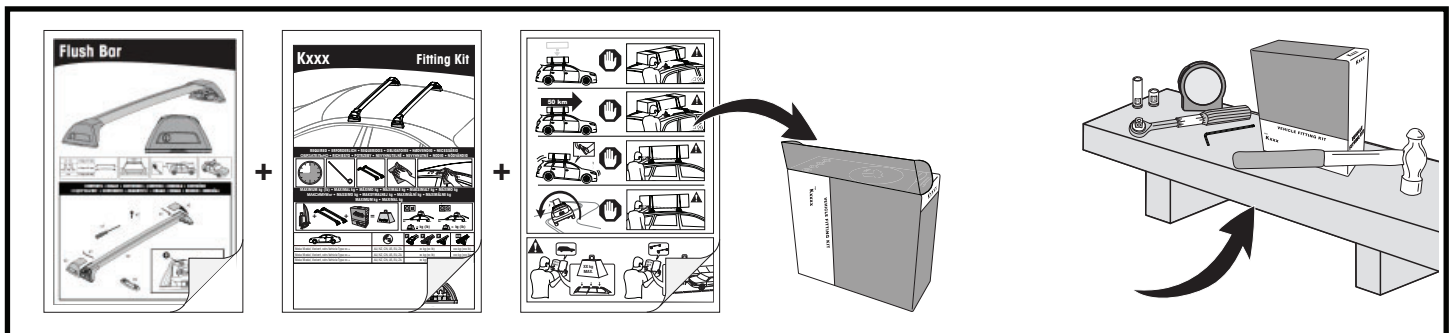
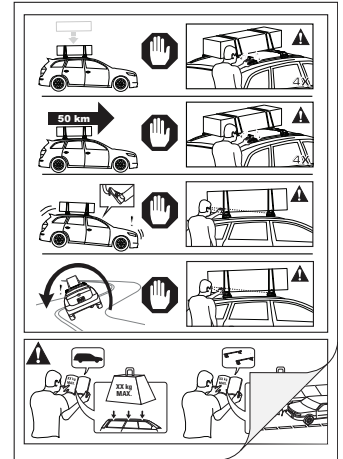
**14**



**x4**

**ATTENTION • ACHTUNG • ATENCIÓN • ATTENTION • OPPMERKSOMHET • ATENÇÃO • ВНИМАНИЕ • ATTENZIONE  
 UWAGA • UPOZORNĚNÍ • UPOZORNENIE • LET OP • UPPMÄRKSAMHET • ОПМÆRКСОМНED • УБАГА • HUOMIO**

- EN** Please read safety and warranty booklet included with this product prior to use. For more information visit your local dealer.
- DE** Bitte lesen und beachten Sie die beiliegende Montageanleitung, Sicherheitshinweise und Garantiebedingungen bevor Sie das Produkt montieren/benutzen. Für weitere Informationen kontaktieren Sie bitte Ihren Händler.
- ES** Por favor, lea folleto de seguridad y garantía que se incluye con este producto antes de su uso . Para obtener más información, visite a su distribuidor local.
- FR** Veuillez lire attentivement le manuel de sécurité et de garantie avant utilisation. Pour plus d'informations, visitez votre concessionnaire local.
- NO** Vennligst les hefte om sikkerhet og garanti som er vedlagt dette produkt før det tas i bruk. For mer informasjon ta kontakt med din forhandler.
- PT** Por favor leia o manual de segurança e garantia incluído, antes de utilizar o produto. Para mais informações visite o seu revendedor local.
- RU** Пожалуйста, ознакомьтесь с инструкцией перед тем, как использовать товар. Для получения более подробной информации обратитесь к местному дилеру.
- IT** Si prega di leggere il libretto di sicurezza e garanzia incluso nel prodotto prima dell'uso. Per maggiori informazioni visita il rivenditore locale.
- PL** Proszę zapoznać się z warunkami gwarancji i bezpieczeństwa przed użyciem produktu. W celu uzyskania dodatkowych informacji proszę kontaktować się z najbliższym autoryzowanym punktem sprzedaży.
- CS** Před použitím si prosím přečtete přiložené informace o bezpečnosti a záručních podmínkách. Pro více informací navštivte nejbližšího dealera.
- SK** Pred použitím si prosím prečítajte priložené informácie o bezpečnosti a záručných podmienkach. Pre viac informácií navštívte najbližšieho diera.
- NL** A.U.B. bijgesloten garantie- en veiligheidsinstructies grondig lezen voor gebruik van dit product. Voor meer informatie graag contact opnemen met uw dealer.
- SV** Var snäll och läs igenom säkerhets- och garantihäftet som medföljer produkten före användning. För mer information besök din lokala återförsäljare.
- DK** Læs venligst sikkerheds- og garantibogsholderen, der følger med dette produkt, inden brug. For mere information besøg din lokale forhandler.
- UA** Будь ласка, ознайомтеся з бронею безпеки та гарантії, включені до цього продукту перед використанням. Для отримання додаткової інформації відвідайте місцевого дилера.
- FI** Lue tämän tuotteen mukana toimitetut turvallisuus- ja takuu huoltopalvelut ennen käyttöä. Lisätietoja saat paikalliselta jälleenmyyjältä.



Yakima Australia Pty Ltd  
 17 Hinkler Court, Brendale  
 QLD 4500, Australia  
 1800 143 548  
 www.prorack.com.au  
 www.whispbar.com.au

Yakima Products, Inc.  
 4101 Kruse Way  
 Lake Oswego, OR. 97035 USA  
 888 925 4621  
 www.yakima.com

WORKS WITH:  
**YAKIMA**  
 WHISPBAR  
**Prorack**