

# Prorack® Kayak Carrier with Pivot Cradles

## Caution

- Tie down long or wide loads at the front and rear of the vehicle with non-elastic straps. If it looks like it can catch some air, it will. **TIE IT DOWN!**
- When loading your surf gear or kayak, ensure that it is mounted correctly using the tie downs provided and is positioned centrally, parallel to the vehicle.
- Check straps periodically during travel and tighten if necessary. Replace any straps that are worn or frayed before using (see your Prorack dealer).

## Important Warning

- It is critical that all Prorack racks and accessories be properly and securely attached to your vehicle. Improper attachment could result in an automobile accident, and could cause serious bodily injury or death to you or to others.
- You are responsible for securing the racks and accessories to your car, checking the attachments prior to use, and periodically inspecting the products for adjustment, wear, and damage. Therefore, you must read and understand all of the instructions and cautions supplied with your Prorack product prior to installation or use.
- If you do not understand all of the instructions and cautions, or if you have no mechanical experience and are not thoroughly familiar with the installation procedures, you should have the product installed by a professional installer such as a boat carrier specialist.

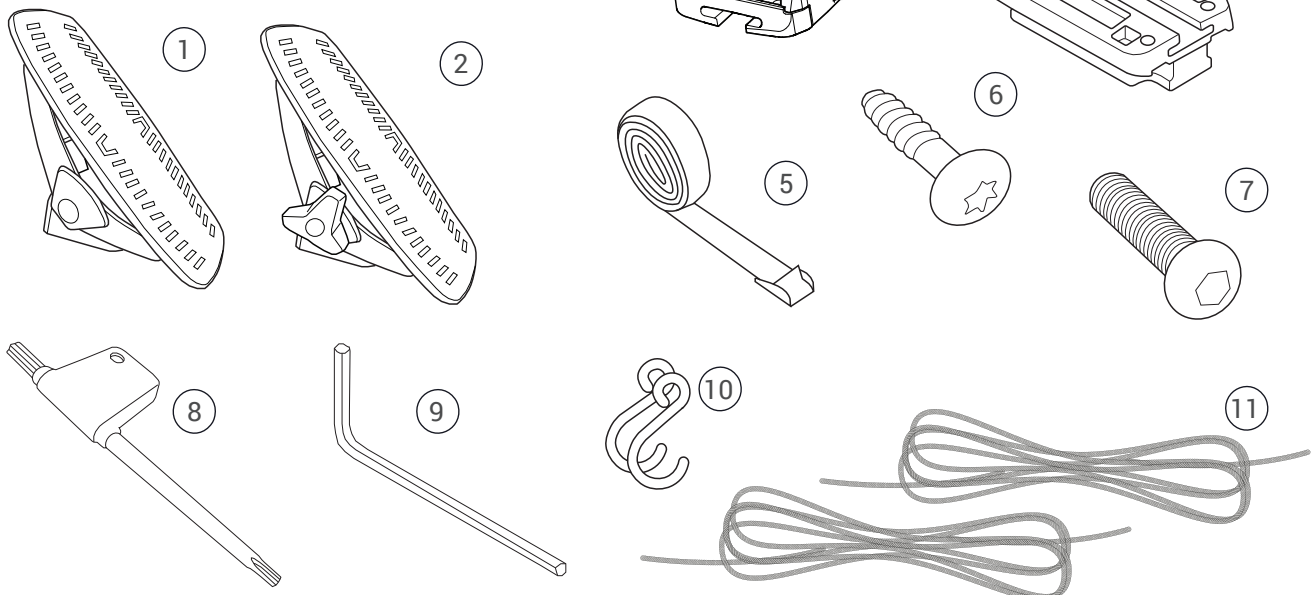
## Kit Contents

Item	Component	Qty
1	Prorack Cradle RHS	2
2	Prorack Cradle LHS	2
3	Standard/Rectangular Bar Adaptor	4
4	HD Adapter	4
5	Tie Down Strap Assembly	2
6	T15 Torx Head Plastite Screw	16
7	M6 Button Head Cap Screw	4
8	T15 Torx Screwdriver	1
9	Allen Key	1
10	"S" Hook	2
11	Black Nylon Rope	2

**This product is designed to work with Prorack Aero, Standard, HD and other Round Bars.**

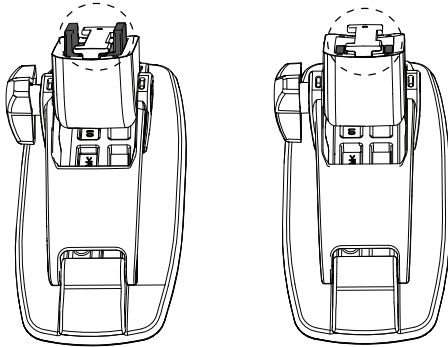
**Max Load 70 kg**

**Minimum Crossbar Spread 61 cm**



**PR3032NK**

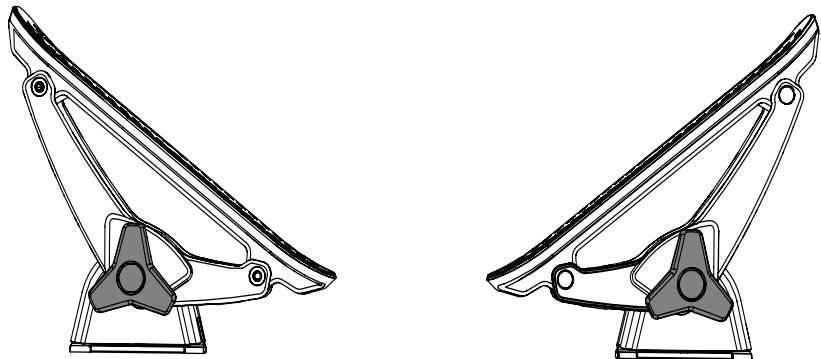
**NOTE! Kayak cradle knob has to be fully backed off (anti-clockwise) for the adapter to slide into the cradle or the cradle to slide in to a T-slot**



- The top of the wedges should be level with surround, as shown.
- Do not continue to wind knob once resistance is met.
- NOTE: Knobs turn clockwise to tighten and anti-clockwise to loosen.

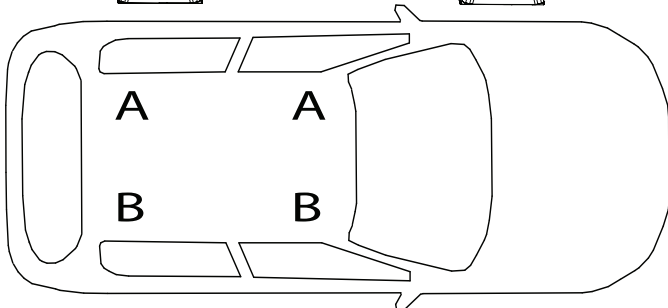
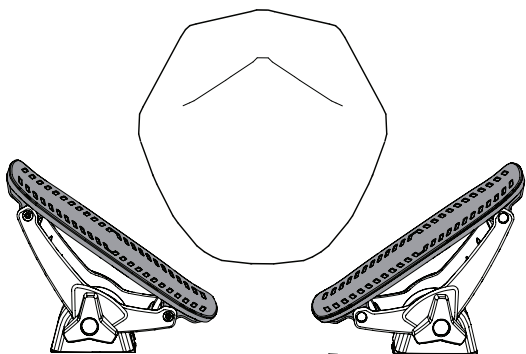
### Knobs should face rear of vehicle when on crossbars

Note: There is a left hand and right hand side.

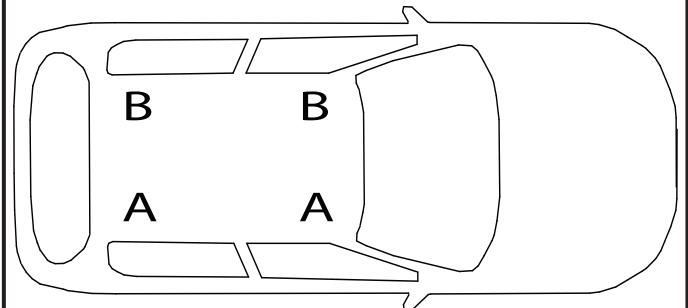
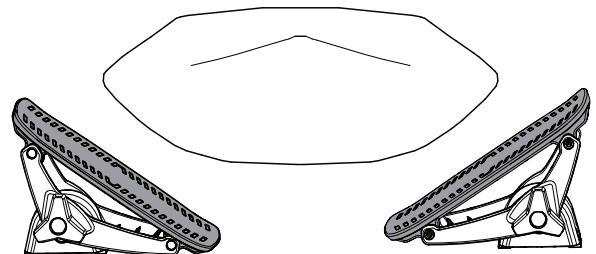


### Cradle positions for narrow hulled kayak

Note: Kayak can be off center on vehicle if required.



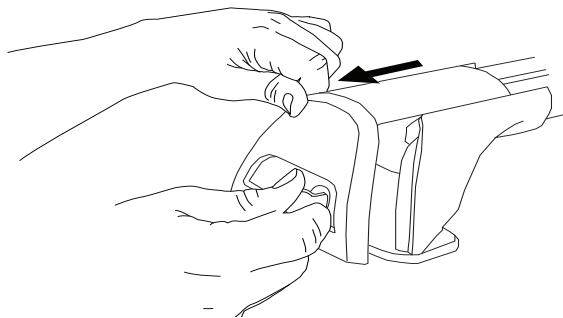
### Cradle positions for wide hulled kayak



## Installation on Prorack Aero Bars

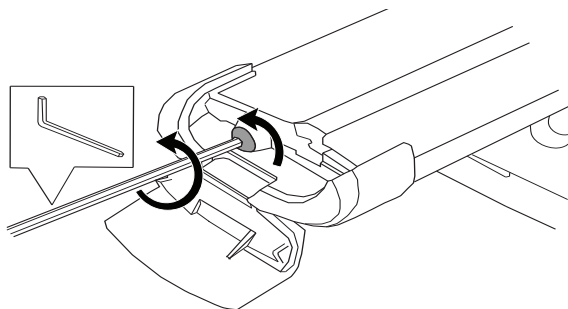
### 1 Prorack Aero Flush

Remove cover with keys as shown.



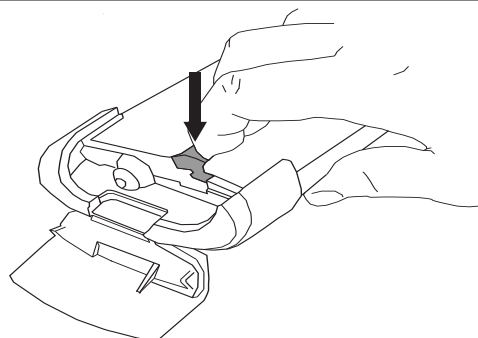
### 2 Prorack Aero Through

Unfasten screw with Hex Key and lift the accessory tab up as shown.



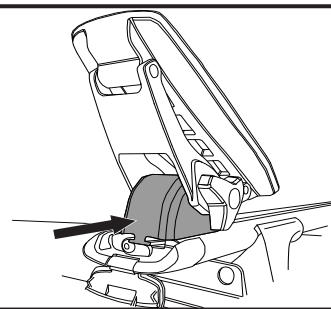
### 3 Push down rubber infill

NOTE: For other manufacturers you may have to cut rubber infill to this accessory. Refer to your manufacturers crossbar instructions.



### 4 Slide kayak cradle into T-slot crossbar

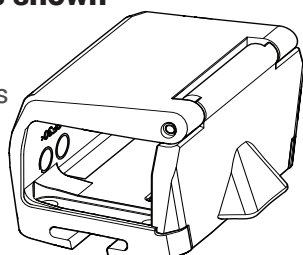
Position where you want the accessory to be.



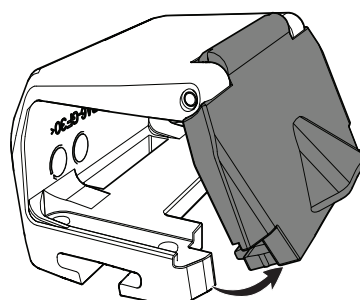
## Installation on Prorack Standard Bar and other rectangular crossbars

### 1 For this crossbar type, ensure you have correct adapter as shown

This adapter suits rectangular crossbars 32mm x 22mm (1 1/4" x 7/8").

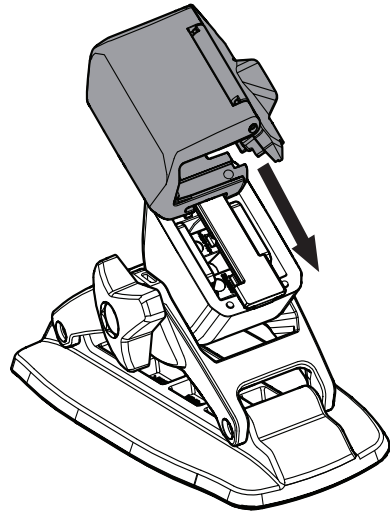


### 2 Open rectangular bar adapter flap



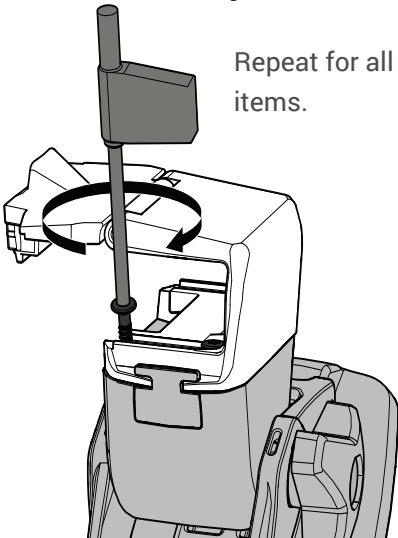
- 3** Position rectangular bar adapter, so the open flap is on opposite side to the knob on the kayak cradle

Slide adapter onto base of kayak cradle.



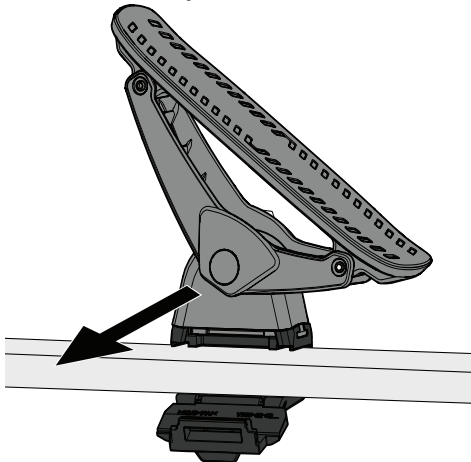
- 4** Fasten adapter to kayak cradle with provided torx screws and torx key

Repeat for all items.

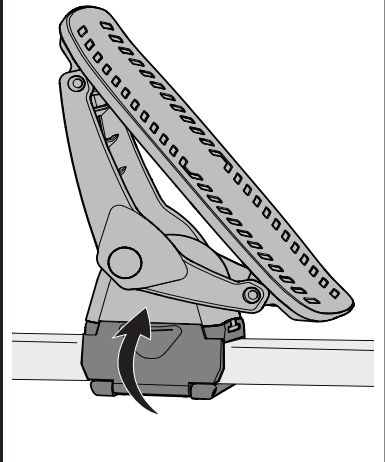


- 5** Slide rectangular bar adapter from rear of crossbar until flush with front

Position where you want the accessory to be.

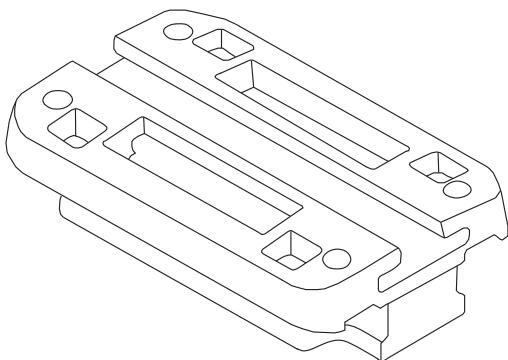


- 6** Close flap to secure

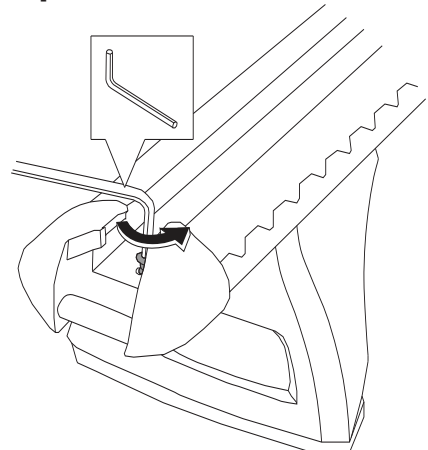


## Installation on Prorack Heavy Duty

- 1** For this crossbar type, ensure you have correct adapter as shown

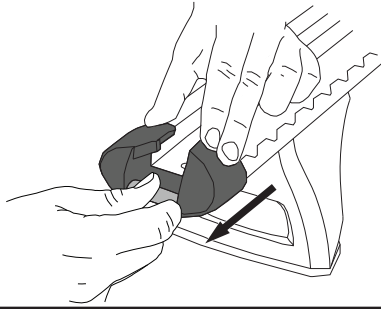


- 2** Use the Hex Key to remove the endcap screw

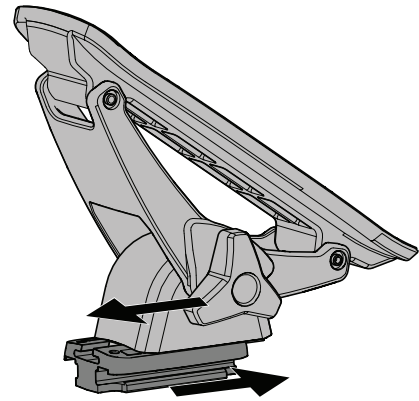


- 3** Remove the endcap by pulling on the endcap pin and pushing on the top of the endcap

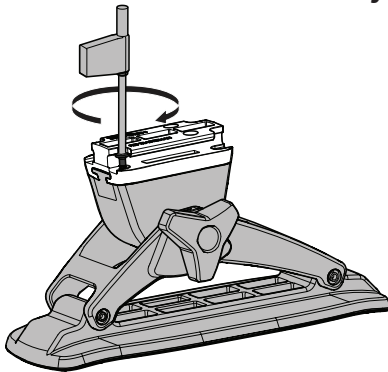
Use a side to side motion to assist.



- 4** Slide adapter onto base of kayak cradle

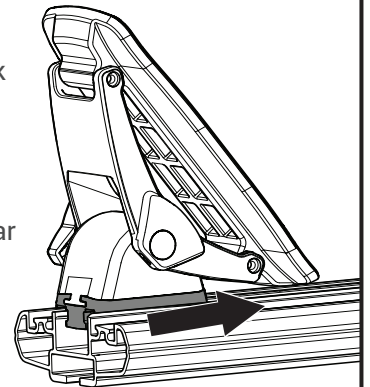


- 5** Fasten adapter to kayak cradle with provided torx screws and torx key



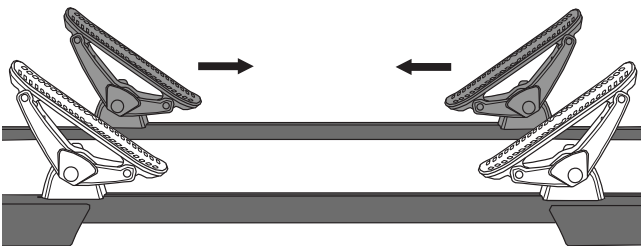
- 6** Slide kayak cradle into crossbar

NOTE: With some crossbars, the roof rack endcaps or leg may have to be removed to do this. Refer to your manufacturer's crossbar instructions.

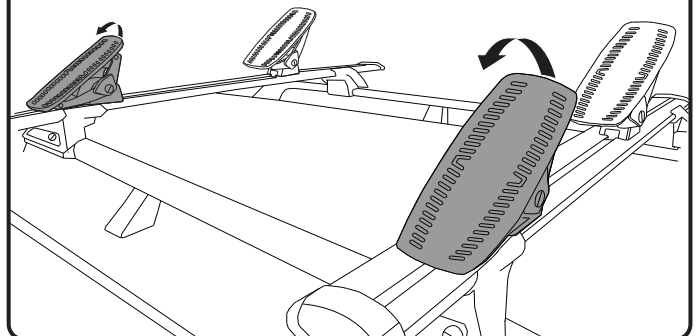


## Installing Kayak

- 1** Slide cradles along crossbar to approximate position for holding kayak

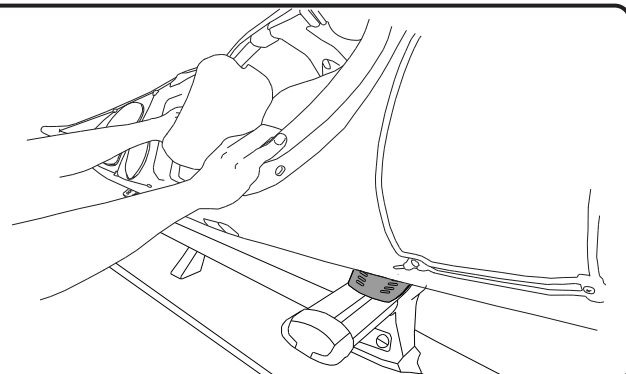


- 2** On the side of the vehicle that the cradles are closest to the edge, flip the cradles outwards



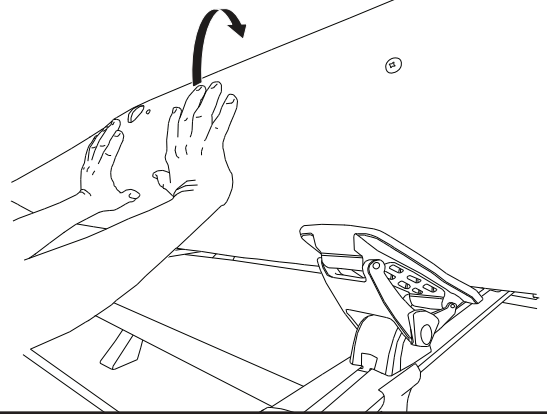
- 3** Place side of kayak onto turned cradles

Take care when lifting.



#### 4 Roll kayak forward

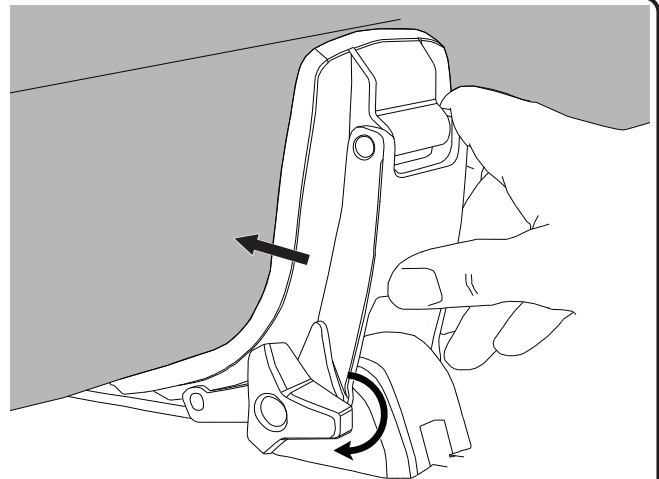
Outside cradles will turn with Kayak, to position onto both cradles.



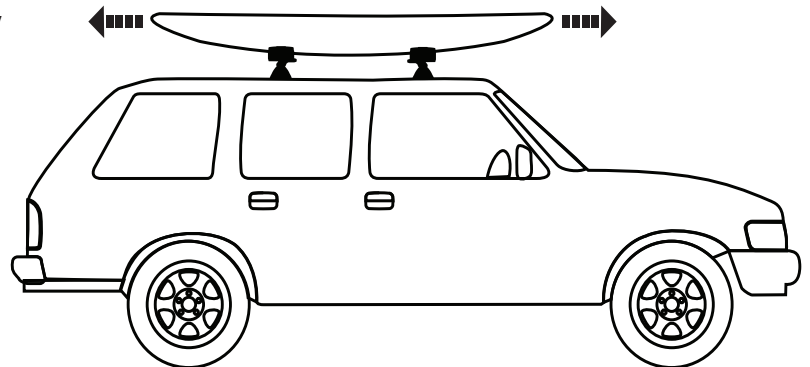
#### 5 Cradles should fit hull closely to prevent movement during transport

Make sure there is a gap between kayak hull and the crossbar.

Tighten the black plastic knob. Do not over tighten.



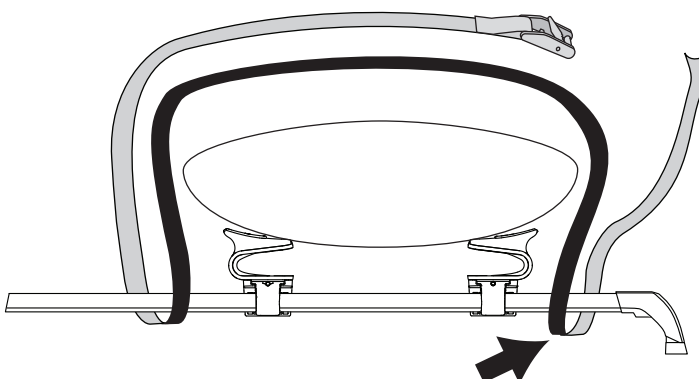
#### 6 Adjust boat position as necessary



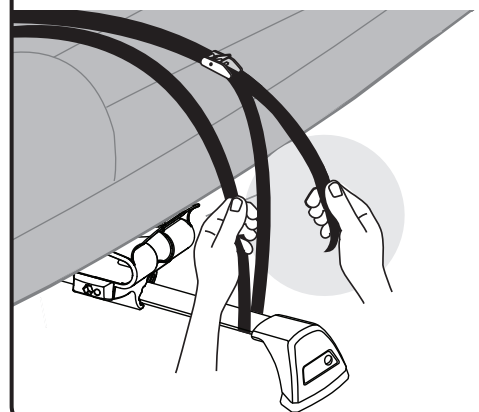
#### 7 Use straps to secure boat to roof rack bars

Loop strap around front roof rack bar as shown.

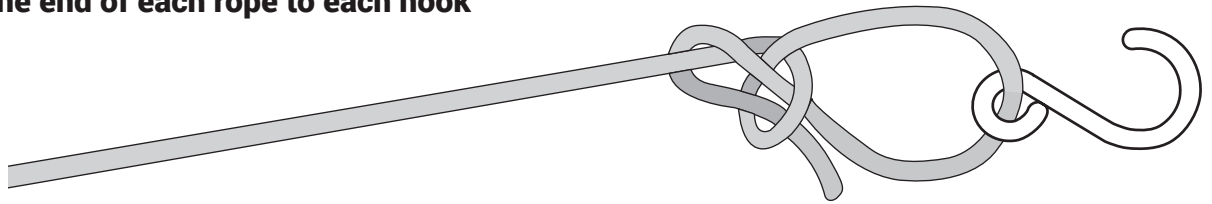
NOTE: Be sure that strap is INBOARD of roof rack leg. Repeat for rear roof rack bar.



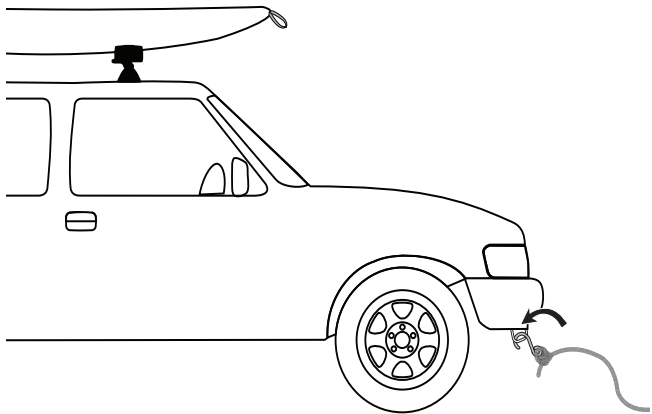
#### 8 Thread free end of strap through buckle and pull to tighten



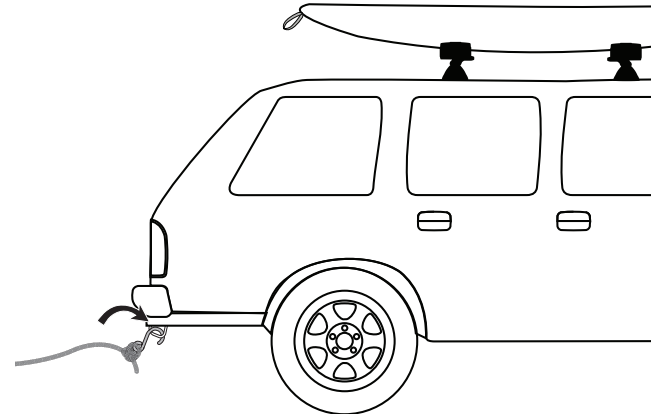
**9 Tie one end of each rope to each hook**



**10 Attach one hook to front of vehicle**



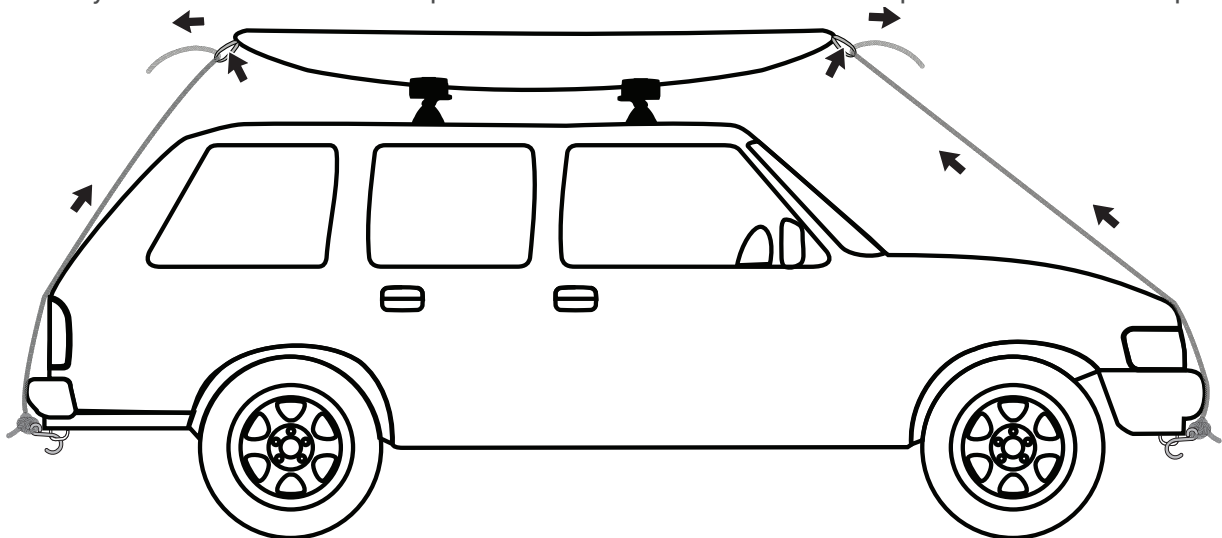
**11 Attach the other hook to rear of vehicle**



**12 Secure front and rear of kayak to vehicle**

Attach ropes to grab handle or rescue bar and pull tight.

Securely tie off ends to create even pressure between front and rear. Bind up and secure excess rope.



## **Safety Checks**

- Before Driving Away:
  - Ensure all hardware is secured according to instructions.
  - Test movement by rocking boat.
  - Tighten again if loose.
- Attachment hardware can loosen over time:
  - Check straps periodically during travel and tighten if necessary.
  - Replace any straps that are worn or frayed before using (see your Prorack dealer).
- Some longer loads may prevent the rear hatch from fully opening.

**Always use caution when opening your hatch.**



## **Care and Maintenance**

- Use non-water soluble lubricant on screws. Use a soft cloth with water and mild detergent to clean plastic parts.



**Prorack**  
17 Hinkler Court, Brendale  
QLD 4500, Australia

Freephone  
AU: 1800 143 548  
NZ: 0800 4776 722

[www.prorack.com.au](http://www.prorack.com.au)  
[www.prorack.co.nz](http://www.prorack.co.nz)