

First Time Installation

- Please read instructions carefully before installation.
- Check the contents of kit. Contact your Prorack dealer if any parts appear to be missing or damaged.
- Clean your roof racks prior to fitting the Eye Bolt Kit.

Important Warning

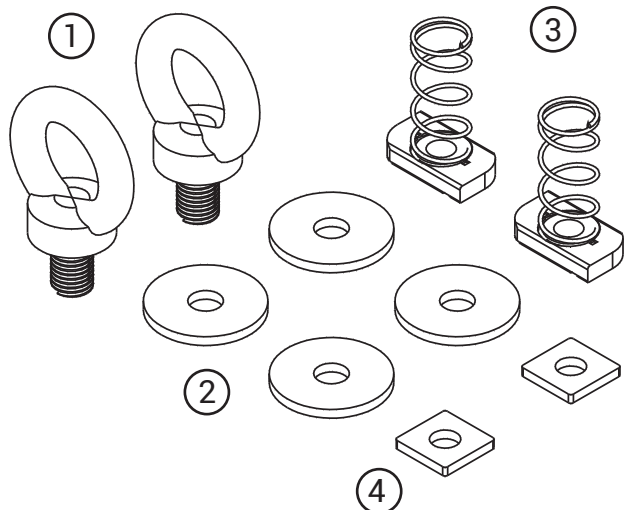
- It is critical that all Prorack racks and accessories be properly and securely attached to your vehicle. Improper attachment could result in an automobile accident, and could cause serious bodily injury or death to you or to others.
- You are responsible for securing the racks and accessories to your car, checking the attachments prior to use, and periodically inspecting the products for adjustment, wear, and damage.
- If you do not understand all of the instructions and cautions, or if you have no mechanical experience and are not thoroughly familiar with the installation procedures, you should have the product installed by a professional installer such as a roof rack specialist.

Kit Contents

Tools Required

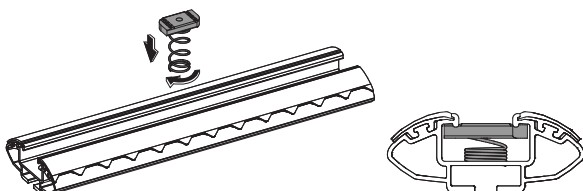
- Screwdriver

Item	Component	Qty
1	M10 Eye Bolt	2
2	M10 Washers	4
3	M10 Spring Nuts	2
4	M10 Square Nuts	2

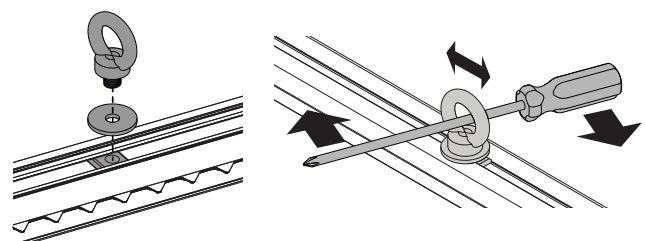


Installation with Prorack HD, Tradesman and other Heavy Duty Crossbars

- 1 Place a M10 Spring Nut into crossbar channel. Position where you want the accessory to be. Push down and twist Spring Nut to lock into place.

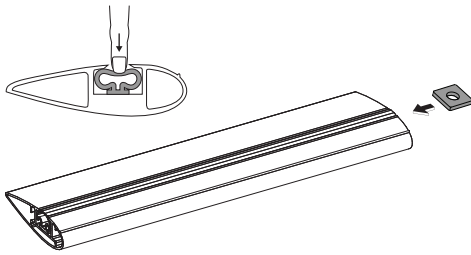


- 2 Assemble Washer with Eye Bolt. Position the Eye Bolt then tighten it using a screwdriver to gain enough leverage to tighten it to 8-10 Nm.

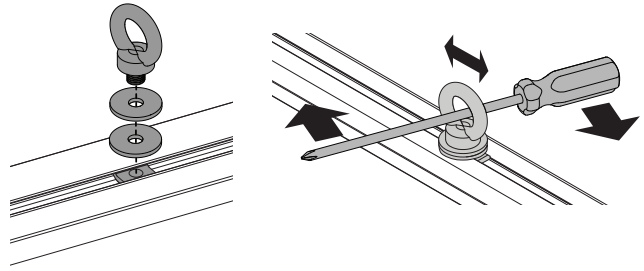


Installation with Prorack S-wing and international T-slot crossbars

- 1** Push down rubber infill and slide a M10 Square Nut into crossbar channel. Position where you want the accessory to be.

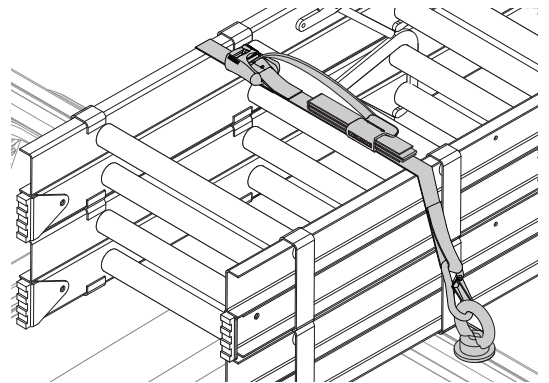


- 2** Assemble 2x Washers with Eye Bolt. Position the Eye Bolt then tighten it using a screwdriver to gain enough leverage to tighten it to 8-10 Nm.



Loading

- Load your gear onto your crossbars
- Secure your load by tying to the Eye Bolts.
- Attach a safety flag when carrying long loads.
- Check that your gear is secure by tugging at it in all directions. Re-tighten if necessary.



Removal

- Using a large screwdriver, loosen and remove Eye Bolts.

Recommendations

- Check accessory is securely attached whenever you refit it to the vehicle. If the unit feels loose, refer to the fitting instructions and readjust.
- Regularly check all fasteners. This includes all attached accessories and roof racks.
- Ensure that all loads are distributed evenly across the roof racks and are fastened securely.

Caution

- A loaded roof rack system can alter the performance of your vehicle. Be especially aware of the effects of side winds, changing of direction, and braking performance. Avoid rapid acceleration and deceleration. Drive Carefully.
- Make sure all loads are securely fastened with non-elastic straps. Check regularly during longer journeys.
- Never drive into a car wash with a roof rack system or accessories fitted.
- Do not exceed the vehicle manufacturer's roof load rating. Total load equals weight of roof racks + accessories + cargo/ equipment.

Prorack[®]
Ready for anything

Prorack
17 Hinkler Court, Brendale
QLD 4500, Australia

Freephone
AU: 1800 143 548
NZ: 0800 4776 722

www.prorack.com.au
www.prorack.co.nz