

Caution

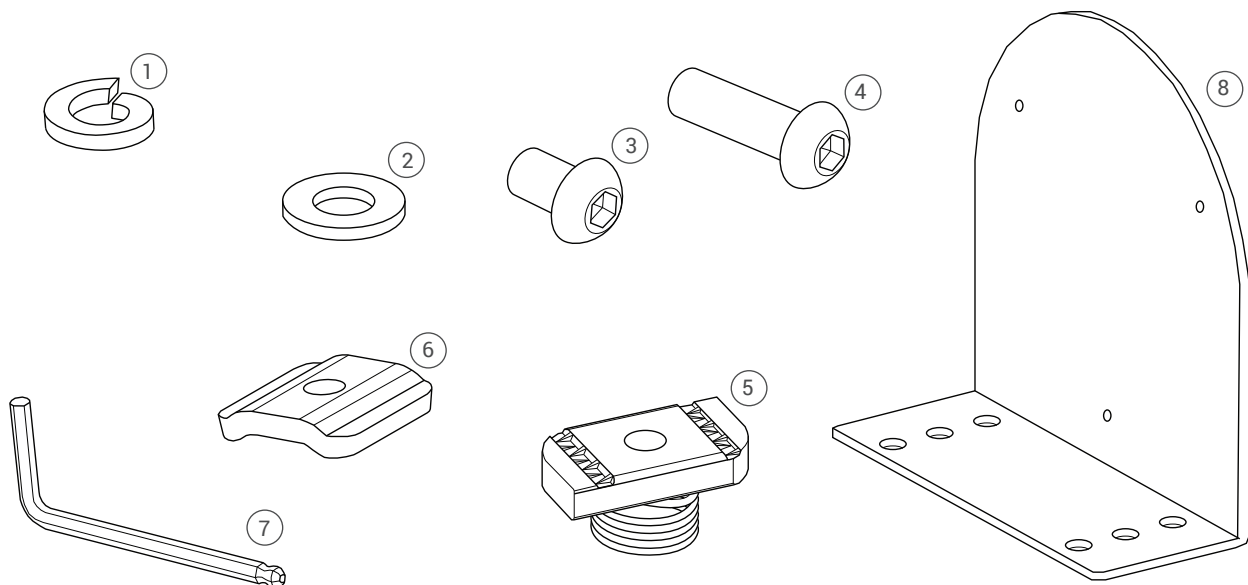
- Tie down long or wide loads at the front and rear of the vehicle with non-elastic straps. If it looks like it can catch some air, it will. **TIE IT DOWN!**
- When loading your surf gear or kayak, ensure that it is mounted correctly using the tie downs provided and is positioned centrally, parallel to the vehicle.
- Check straps periodically during travel and tighten if necessary. Replace any straps that are worn or frayed before using (see your Prorack dealer).

Important Warning

- It is critical that all Prorack racks and accessories be properly and securely attached to your vehicle. Improper attachment could result in an automobile accident, and could cause serious bodily injury or death to you or to others.
- You are responsible for securing the racks and accessories to your car, checking the attachments prior to use, and periodically inspecting the products for adjustment, wear, and damage. Therefore, you must read and understand all of the instructions and cautions supplied with your Prorack product prior to installation or use.
- If you do not understand all of the instructions and cautions, or if you have no mechanical experience and are not thoroughly familiar with the installation procedures, you should have the product installed by a professional installer such as a boat carrier specialist.

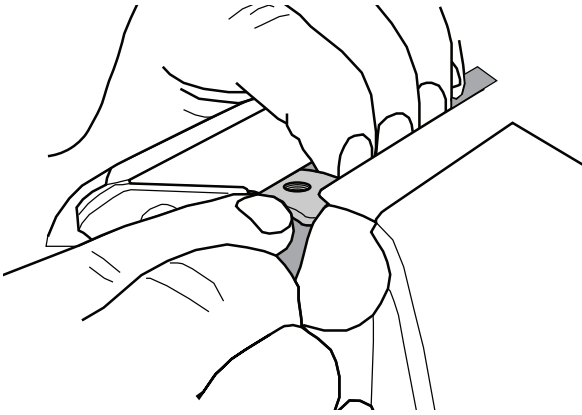
Kit Contents

Item	Component	Qty	Item	Component	Qty
1	M6 Spring Washer	2	5	M6 Nut Spring	2
2	M6 x 16 mm Washer	2	6	M6 T-Slot Nut	2
3	M6 x 20 Capscrew Button Head	2	7	1724 Blank Beacon Plate	1
4	M6 x 10 Capscrew Buttonhead	2	8	4 mm Ball End Allen Key	1

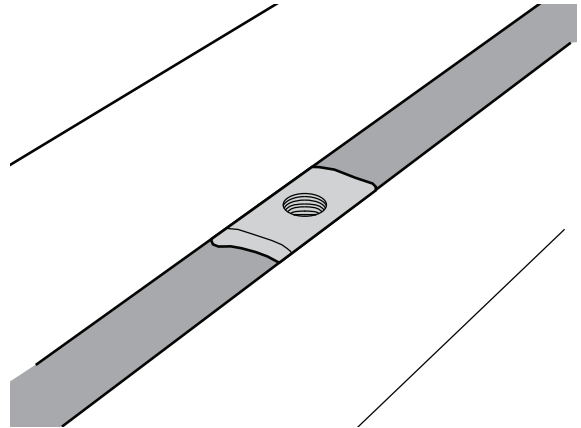


Installation for T-Slot Bars

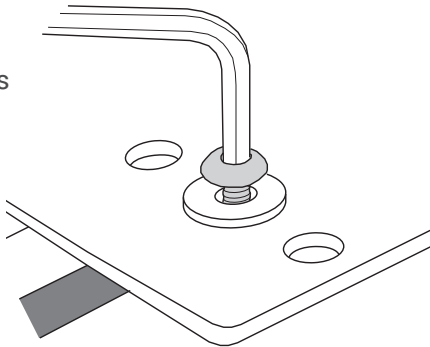
- 1** Select two T-slot nuts from the package. Press crossbar infill down and fit both T-Slot nuts into crossbar on top of infill.



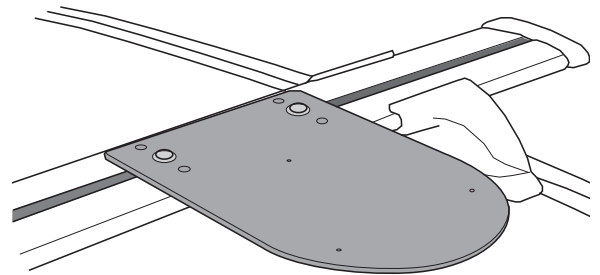
- 2** T-Slot nut should be positioned on a crossbar in a place where you want your plate located.



- 3** Select two M6 x 10 mm capscrews and M6 x 16 mm washers from the package. Put an M6 x 16 washer under each capscrew. Use 4 mm Allen Key to attach plate to T-Slot nuts with screws through the centre mounting holes.

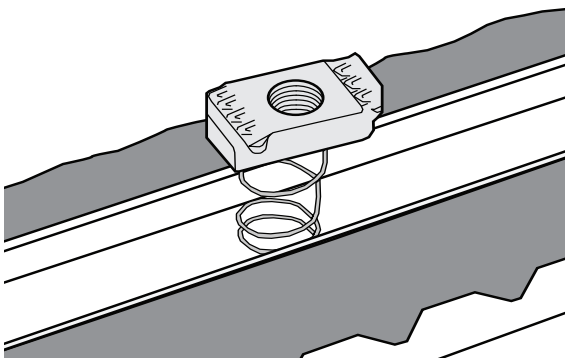


- 4** Complete assembled Beacon Plate on Crossbar.



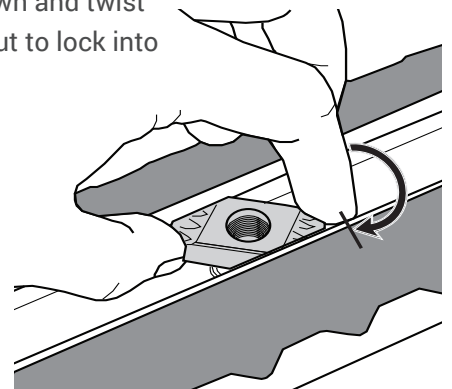
Installation for HD Bars

- 1** Select two Spring nuts from the package. Fit both Spring nuts into the crossbar channel.



- 2** Spring nuts should be positioned on a crossbar in a place where you want your bracket located.

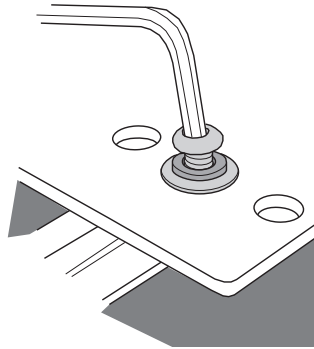
Push down and twist Spring nut to lock into place.



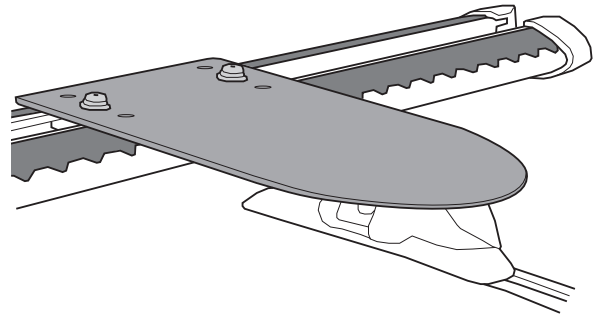
3 Select two M6 x 10 mm capscrews, two M6 x 16 mm washers and two M6 x 16 spring washers from the package.

Put an M6 x 16 washer and M6 spring washer under each capscrew. Ensure the spring washers are placed on top of the normal M6 washers.

Use 4mm Allen Key to attach plate to Spring nuts with screws through the centre mounting holes.



4 Completely assembled Beacon Plate on crossbar.




Prorack[®]
Ready for anything

Prorack
17 Hinkler Court, Brendale
QLD 4500, Australia

Freephone
AU: 1800 143 548
NZ: 0800 4776 722

www.prorack.com.au
www.prorack.co.nz

ALL CONTENT SUBJECT TO YAKIMA AUSTRALIA PTY LTD COPYRIGHT © 2017