



U-Bolt Fitting Kit

First Time Installation

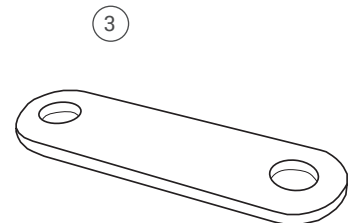
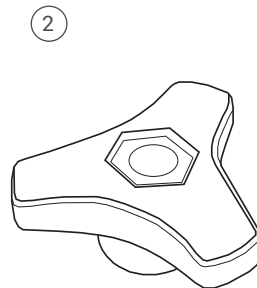
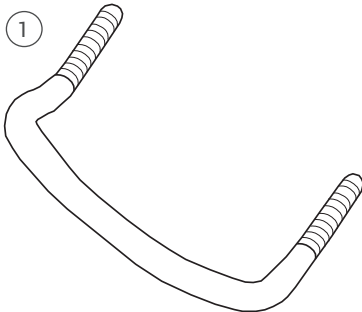
- Please read instructions carefully before installation.
- Check the contents of kit. Contact your Prorack dealer if any parts appear to be missing or damaged.
- Clean your roof racks and alloy tray prior to fitting the Gas Bottle Restraint.

Important Warning

- It is critical that all Prorack racks and accessories be properly and securely attached to your vehicle. Improper attachment could result in an automobile accident, and could cause serious bodily injury or death to you or to others.
- You are responsible for securing the racks and accessories to your car, checking the attachments prior to use, and periodically inspecting the products for adjustment, wear, and damage.
- If you do not understand all of the instructions and cautions, or if you have no mechanical experience and are not thoroughly familiar with the installation procedures, you should have the product installed by a professional installer such as a roof rack specialist.

Kit Contents

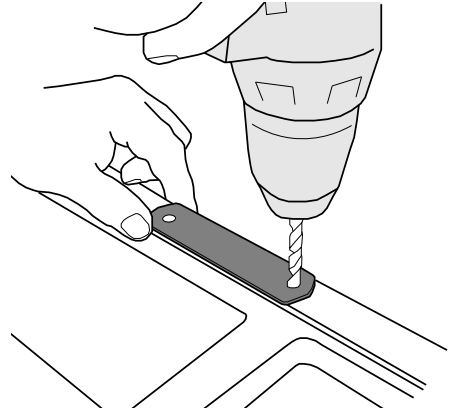
Item	Component	Qty
1	U-Bolt	4
2	Knob	8
3	U-Bolt Plate	4



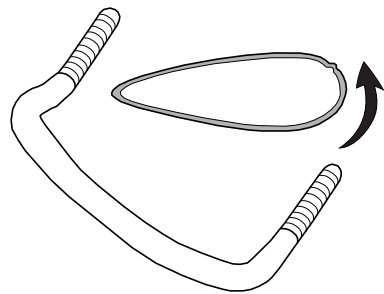
Installation on Flush, Through and HD Bars

- 1** Roof Box may need 8 mm (5/16") holes to be drilled in base, to match hole centers of U-bolt.

Use U-bolt plate as template.



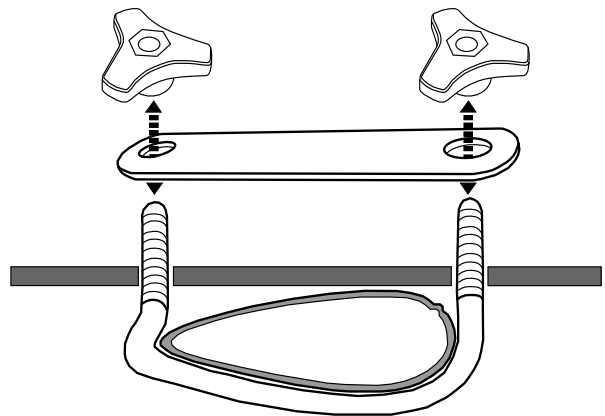
- 2** Swing U-bolt underneath crossbar as shown.



- 3** Insert U-bolt legs through roof box base. From inside the roof box, place U-bolt plate over U-bolt legs.

Loosely attach knobs.

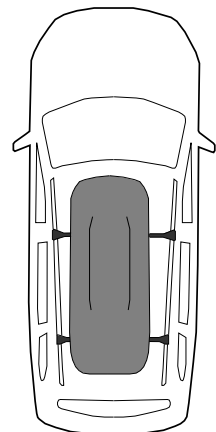
If your roof box comes with tie-down straps, fit these under the U-bolt plates.



- 4** Align roof box in desired position.

Tighten the black plastic knob.

Repeat for all four positions.





Prorack
17 Hinkler Court, Brendale
QLD 4500, Australia

Freephone
AU: 1800 143 548
NZ: 0800 4776 722

www.prorack.com.au
www.prorack.co.nz

ALL CONTENT SUBJECT TO YAKIMA AUSTRALIA PTY LTD COPYRIGHT © 2015