



# Tray Accessory Mounts

## First Time Installation

- Please read instructions carefully before installation.
- Check the contents of kit. Contact your Prorack dealer if any parts appear to be missing or damaged.
- Clean your Tray and roof racks prior to fitting the Accessory Mounts.
- Use caution when handling rails and slats, sharp edges may be present.

## Important Warning

- It is critical that all Prorack racks and accessories be properly and securely attached to your vehicle. Improper attachment could result in an automobile accident, and could cause serious bodily injury or death to you or to others.
- You are responsible for securing the racks and accessories to your car, checking the attachments prior to use, and periodically inspecting the products for adjustment, wear, and damage.
- If you do not understand all of the instructions and cautions, or if you have no mechanical experience and are not thoroughly familiar with the installation procedures, you should have the product installed by a professional installer such as a roof rack specialist.

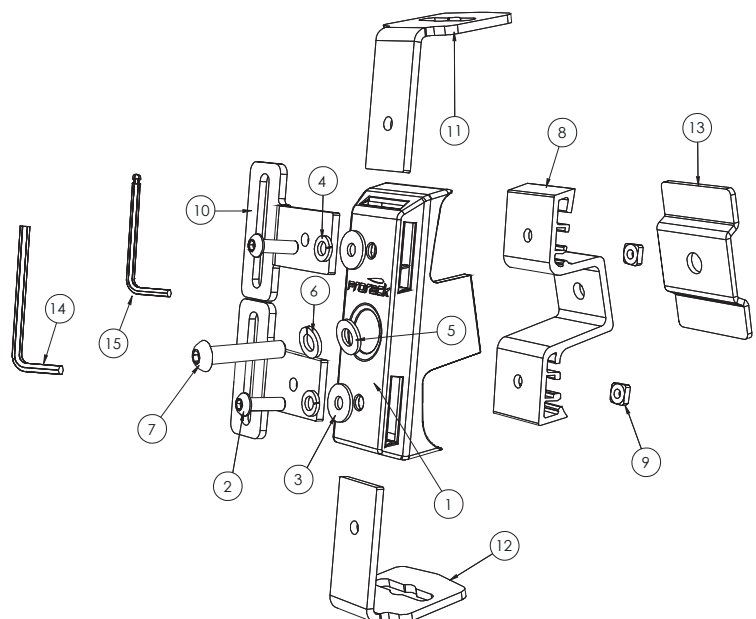
## Tools Required

- Torque Wrench (optional)
- Screwdriver (optional)

## Kit Contents

Item	Component	Qty
1	Cover	2
2	M6 Button Head Capscrew 20 mm	4
3	M6 Washer	4
4	M6 Spring Washer	4
5	M8 Washer	2
6	M8 Spring Washer	2
7	M8 Button Head Capscrew 40 mm	2
8	Frame	2
9	M6 Square Nut	4
10	Bracket A	4
11	Bracket B	2
12	Bracket C	2
13	Clamp	2
14	Allen Key 5 mm	1
15	Allen Key 4 mm Ball End	1

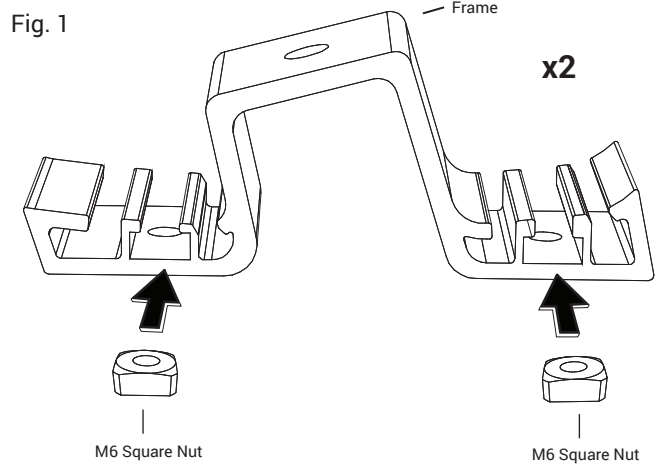
**Note - This product is designed to work with Prorack Alloy Trays.**



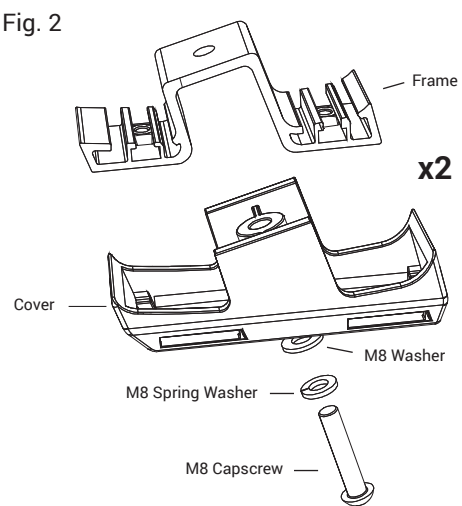
**PR3213**

**1** Referring to Figure 1, slide 2x M6 Square Nuts into the top and bottom channels on each Frame, lining up with the holes in the Frame.

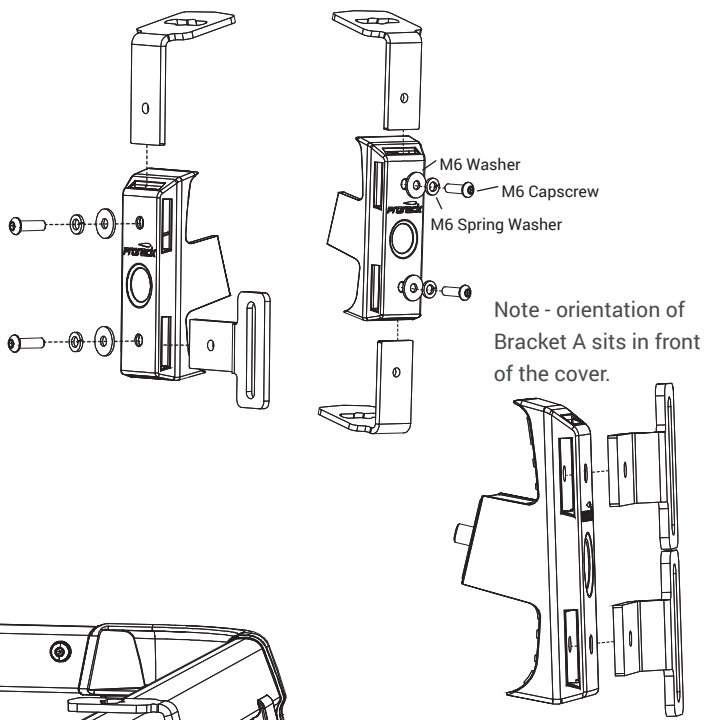
Note - Keep the frame horizontal to prevent the Square Nuts from sliding out of the channel. Sections of foam or other material approx. 12 mm in length may be placed into the channel either side of the nut to keep the nut in the correct central position.



**2** Referring to Figure 2, loosely assemble each Frame and Cover together using 1x M8 Washer, 1x M8 Spring Washer and 1x M8 Capscrew.

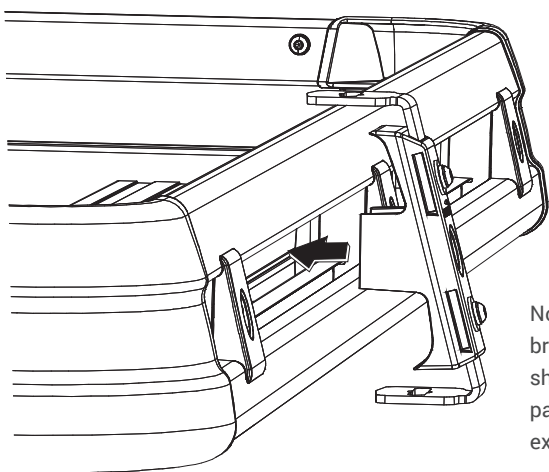


**3** Referring to the example configurations over page, attach Brackets to the assembly according to your accessory needs using any bracket into any of the 6 slots. Secure Brackets using 1x M6 Washer, 1x M6 Spring Washer and 1x M6 Capscrew per Bracket. Tighten screws to 5 Nm with 4 mm Ball End Allen Key provided or a suitable Torque Wrench.



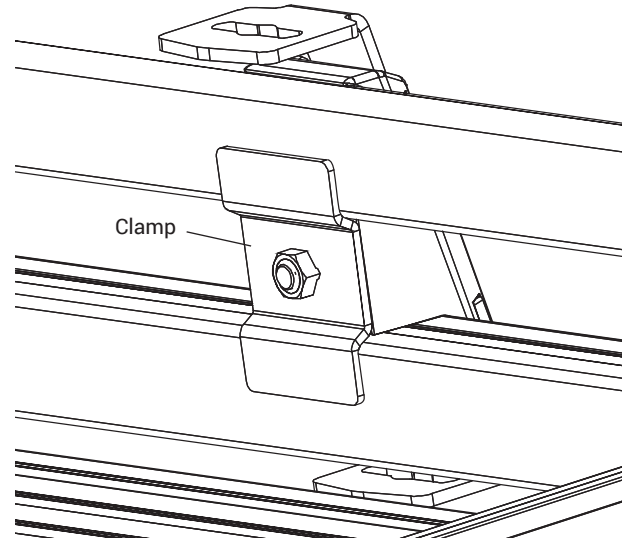
**4** Choose the position on your Alloy Tray rails where you would like to fit the Accessory Mounts.

The central protrusion on the Accessory Mount fits between the gap in the upper and lower rails of the Alloy Tray.



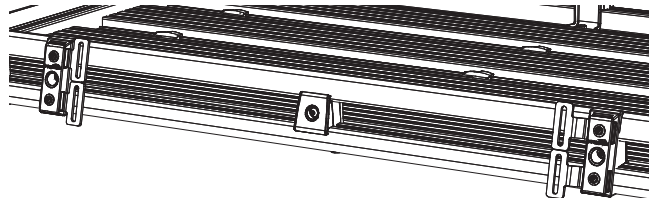
Note - optional bracket configuration shown, refer over page for more examples.

- 5** Secure the Accessory Mounts to tray with the Clamps and tighten the centre M8 Capscrews loosely installed in Step 1 to 5 Nm with 5 mm Allen Key provided or a suitable Torque Wrench.



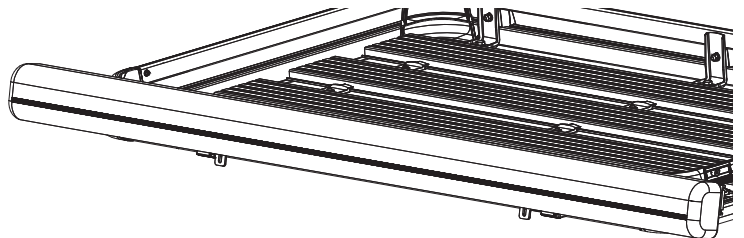
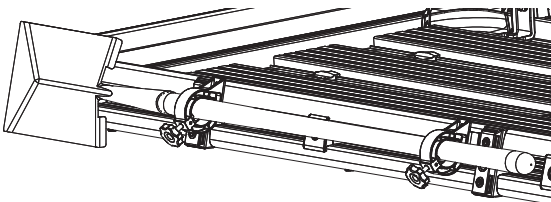
### Example configuration - Shovel Holder or Awning

Accessories such as the Prorack Shovel Holder (PR3204) and Prorack Shade Awning (PR3215) can be mounted as shown.



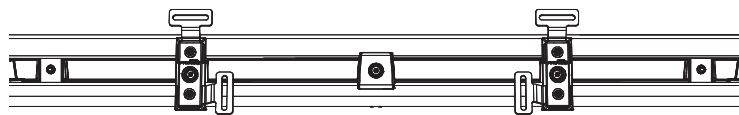
Note - The Accessory Mounts can carry up to 16 kg of equipment per pair. Ensure all items are securely attached.

Suggested Configuration for the Prorack Shovel Holder (PR3204) and Prorack Shade Awning (PR3215).

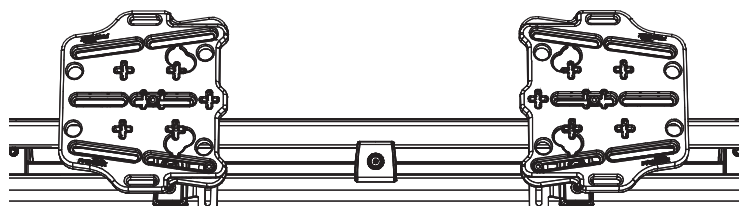


### Example configuration - Recovery Tracks Carrier

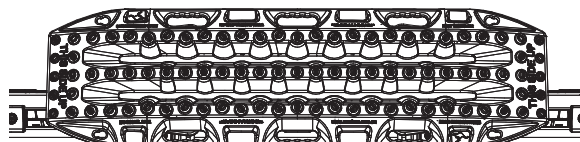
Accessories such as the Prorack Recovery Tracks Carrier (PR3207) can be mounted as shown.



Suggested Configuration for the Prorack Recovery Tracks Carrier (PR3207).

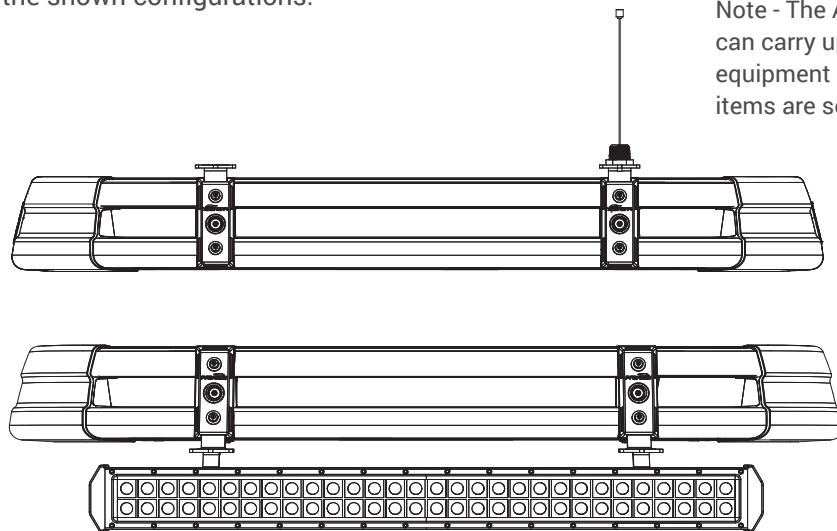


Note - The Accessory Mounts can carry up to 16 kg of equipment per pair. Ensure all items are securely attached.



## Example configuration - Lights, Flags, Aerials

Accessories such as Light Bars, Spotlights, Aerials and Flags can be mounted using the shown configurations.



Note - The Accessory Mounts can carry up to 16 kg of equipment per pair. Ensure all items are securely attached.

## Maintenance

- Check accessory is securely attached whenever you refit it to the vehicle. If the unit feels loose, refer to the fitting instructions and readjust.
- Regularly check all fasteners. This includes all attached accessories and roof racks.
- Clean with hot soapy water and sponge as required.

## Caution

- The Accessory Mounts can carry up to 16 kg of equipment per pair. Ensure all items are securely attached.
- Ensure that all loads are distributed evenly across the roof racks and on the Tray, and are fastened securely.
- A loaded roof rack system can alter the performance of your vehicle. Be especially aware of the effects of side winds, changing of direction, and braking performance. Avoid rapid acceleration and deceleration. Drive Carefully.
- Make sure all loads are securely fastened with non-elastic straps. Check regularly during longer journeys.
- Never drive into a car wash with the roof rack system or accessories fitted.
- Do not exceed the vehicle manufacturer's roof load rating. Total load equals weight of roof racks + accessories + cargo/ equipment.

  
*Ready for anything*

**Prorack**  
17 Hinkler Court, Brendale  
QLD 4500, Australia

Freephone  
AU: 1800 143 548  
NZ: 0800 4776 722

[www.prorack.com.au](http://www.prorack.com.au)  
[www.prorack.co.nz](http://www.prorack.co.nz)