

### First Time Installation

- Please read instructions carefully before installation.
- Check the contents of kit. Contact your Prorack dealer if any parts appear to be missing or damaged.
- Clean your roof racks/Aero Deck prior to fitting the Utility Mount kit.
- Place these instructions in the vehicle's glove box after installation in complete.

### Important Warning

- It is critical that all Prorack racks and accessories be properly and securely attached to your vehicle. Improper attachment could result in an automobile accident, and could cause serious bodily injury or death to you or to others.
- You are responsible for securing the racks and accessories to your car, checking the attachments prior to use, and periodically inspecting the products for adjustment, wear, and damage.
- If you do not understand all of the instructions and cautions, or if you have no mechanical experience and are not thoroughly familiar with the installation procedures, you should have the product installed by a professional installer such as a roof rack specialist.

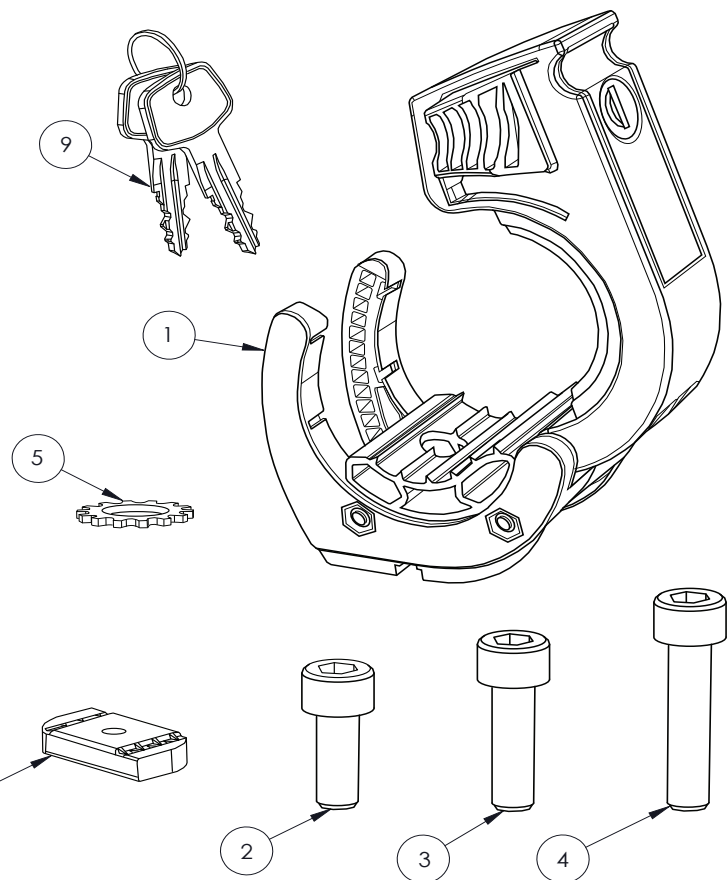
**MAX LOAD RATING: 4 KG**



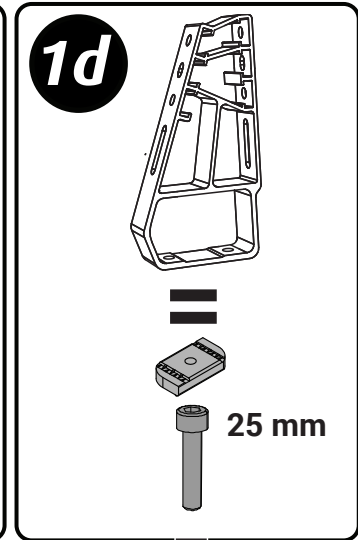
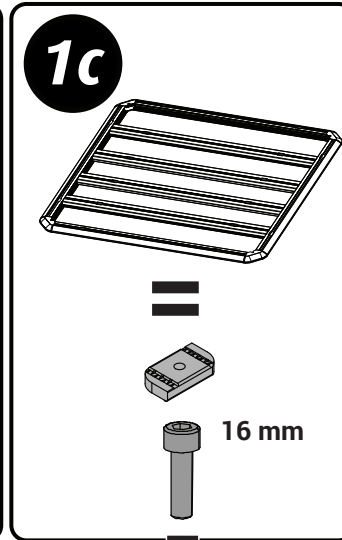
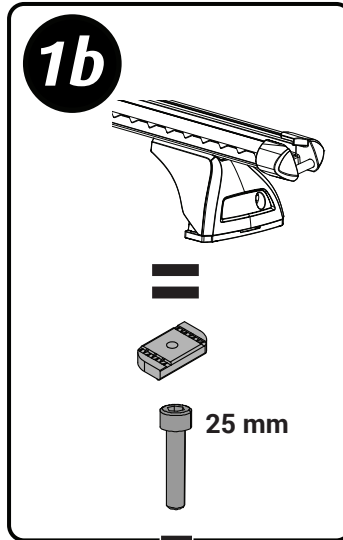
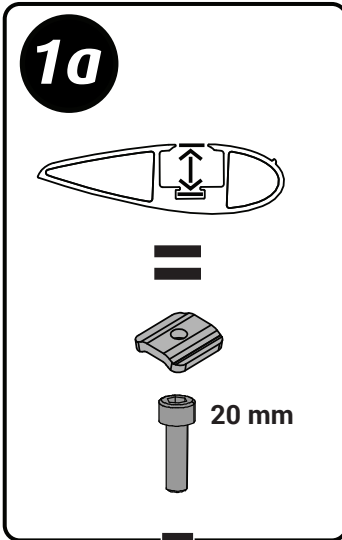
**CROSSBARS AND SHOVEL SOLD SEPARATELY**

### Kit Contents

Item	Component	Qty
1	Shovel Holder Assembly	2
2	16 mm Socket Head Capscrew	2
3	20 mm Socket Head Capscrew	2
4	25 mm Socket Head Capscrew	2
5	Star Washer	2
6	Thin Slot Nut	2
7	Thick Slot Nut	2
8	Allen Key	1
9	Key Set	2

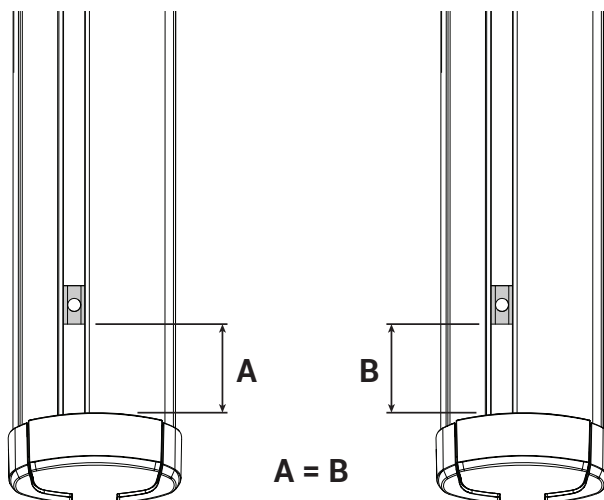
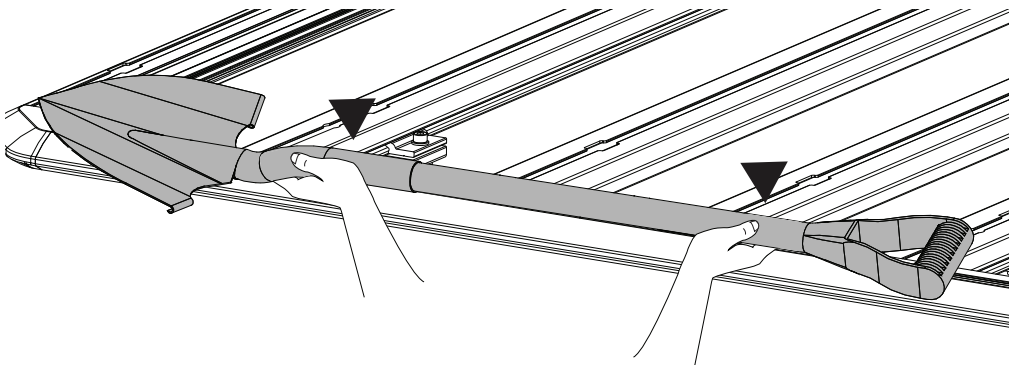


# Installation



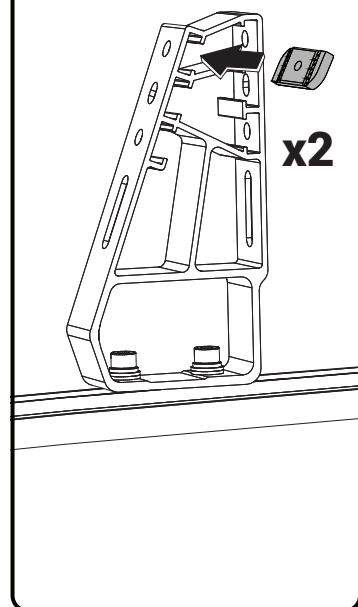
## POSITION NUTS IN CHANNEL

Determine the best spacing for the Utility Mounts based on the tool you will be carrying. For crossbars, it is recommended to position Nuts close to the end of crossbars and ensure they are equally spaced as shown. The Allen Key can be used to assist Nut movement within the channel.



## INSTALLATION ONTO RECOVERY TRACKS OR ACCESSORY MOUNTING BRACKETS

The Slot Nuts can be used to install the Utility Mount onto the Recovery Track Mounts or Accessory Mounting Brackets as shown and following the Aero Bar installation steps.

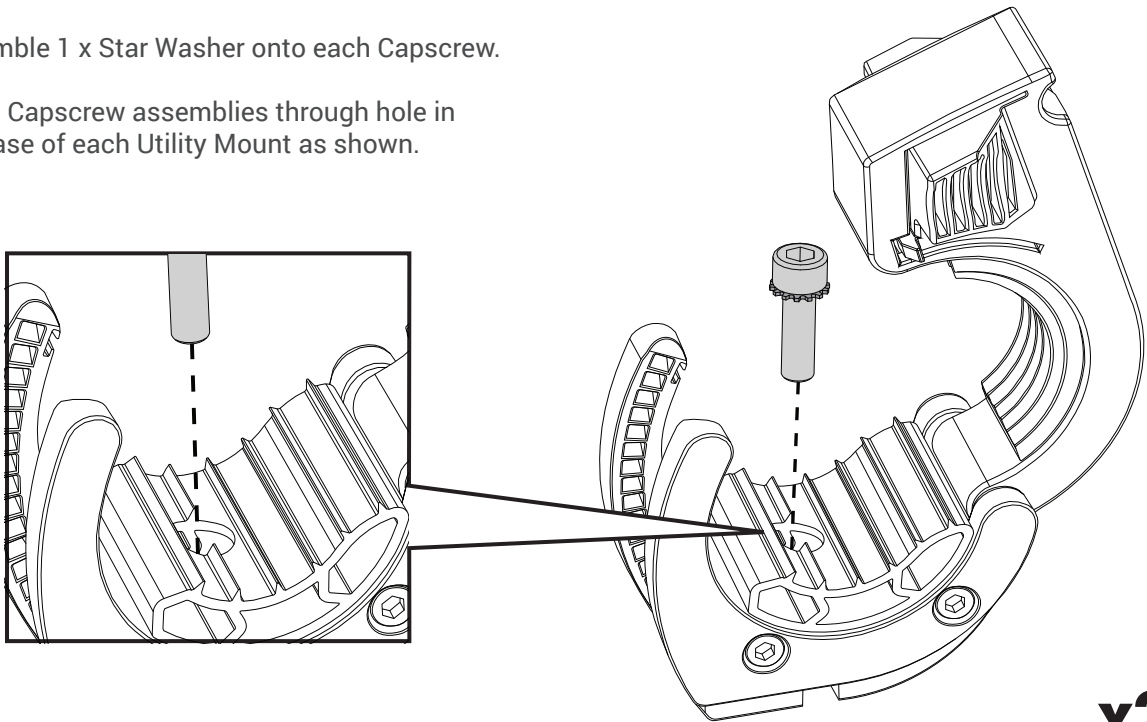


## Installation to Aero Bars

### 1 INSERT CAPSCREWS INTO UTILITY MOUNT

Assemble 1 x Star Washer onto each Capscrew.

Insert Capscrew assemblies through hole in the base of each Utility Mount as shown.

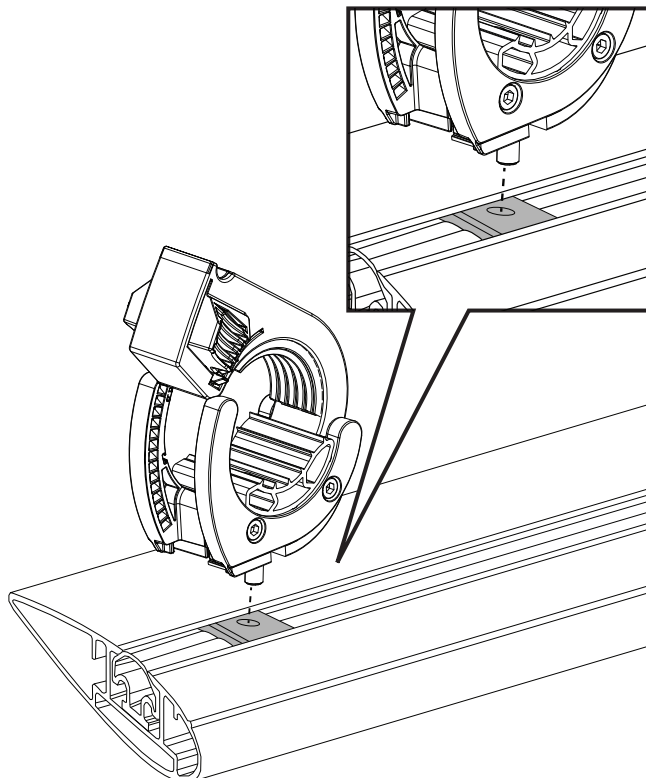


### 2 POSITION AND SECURE UTILITY MOUNTS

Line up Capscrews in the base of each Utility Mount into the nuts in Bar channel.

Tighten all Capscrews to 4 Nm with Allen Key provided.

Your Utility Mounts are ready to use.



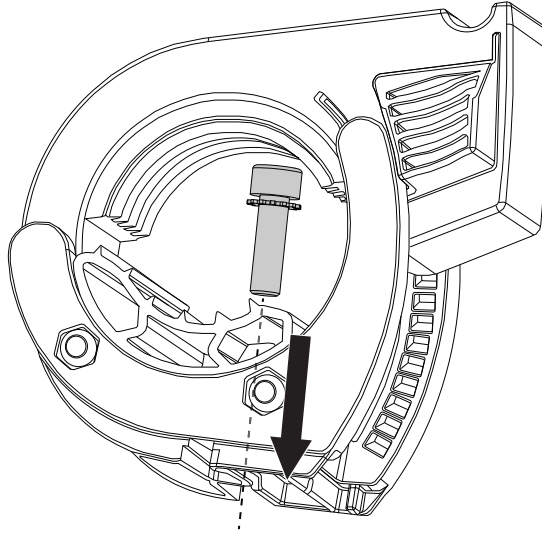
## Installation to Aero Deck and HD Bars

**1**

### INSERT CAPSCREWS INTO UTILITY MOUNT

Assemble 1 x Star Washer onto each Capscrew.

Insert Capscrew assemblies through hole in the base of each Utility Mount.

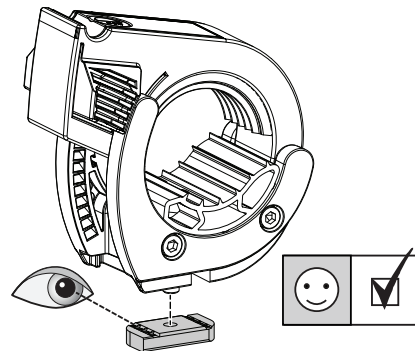
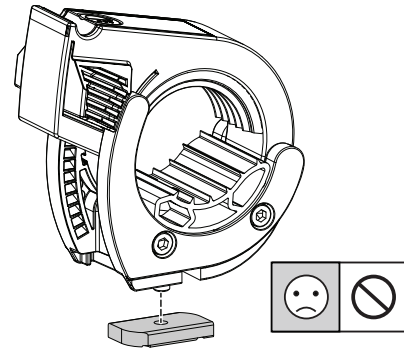
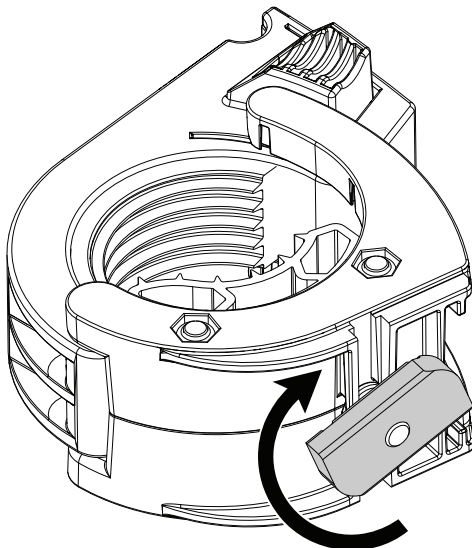


**x2**

**2**

### ADD SLOT NUT TO HOLDER

Add Slot Nut to Capscrew with 1.5 turns until flush.

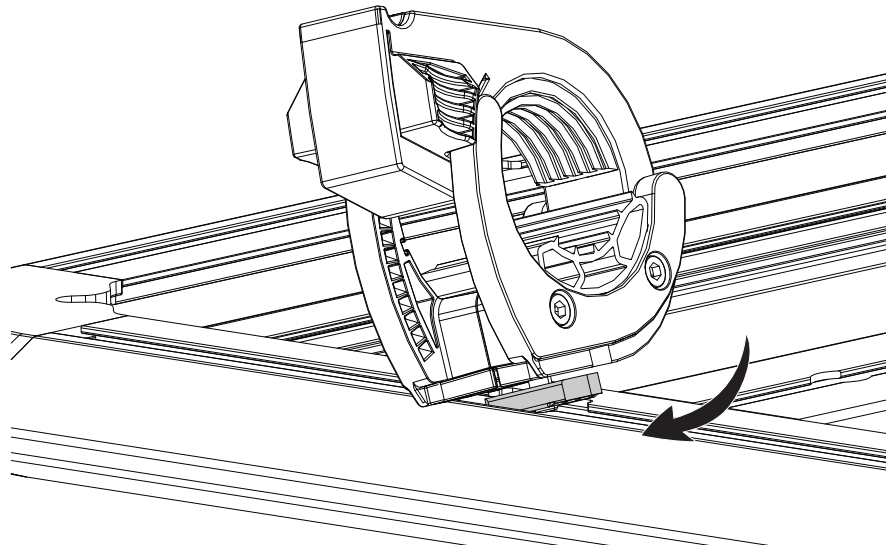


**x2**

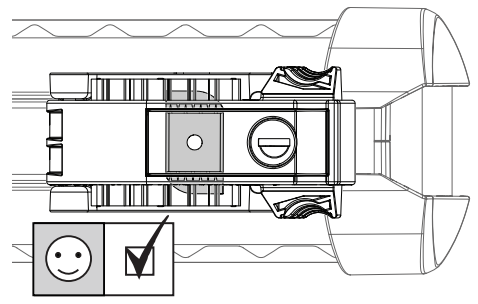
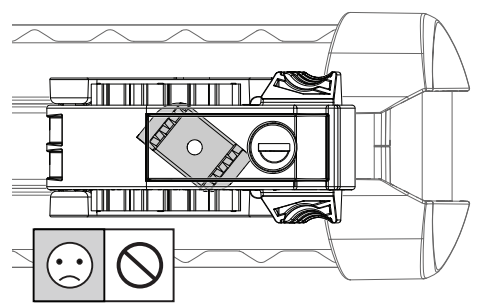
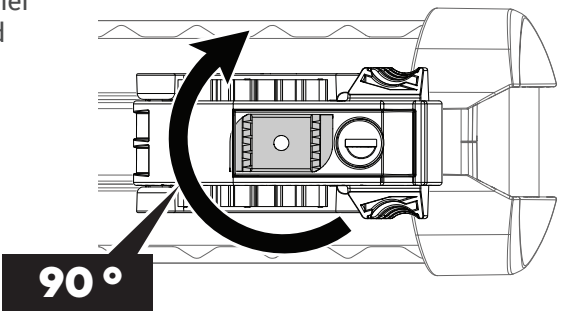
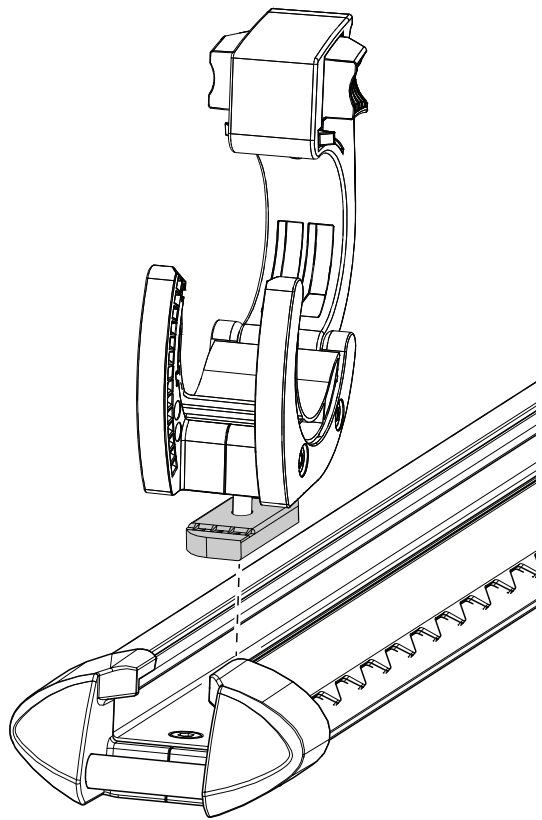
# 3

## SECURE UTILITY MOUNT TO AERO DECK AND HD BARS

For Aero Deck installation insert Slot Nut into the Aero Deck as shown. Slide to location. Tighten to 4 Nm.



For HD Bar installation turn slot nut to be parallel with slot on HD Bar. When conveniently located turn the slot nut 90 Degrees. Tighten to 4 Nm.



Ensure the Slot Nut is fully turned inside the channel.

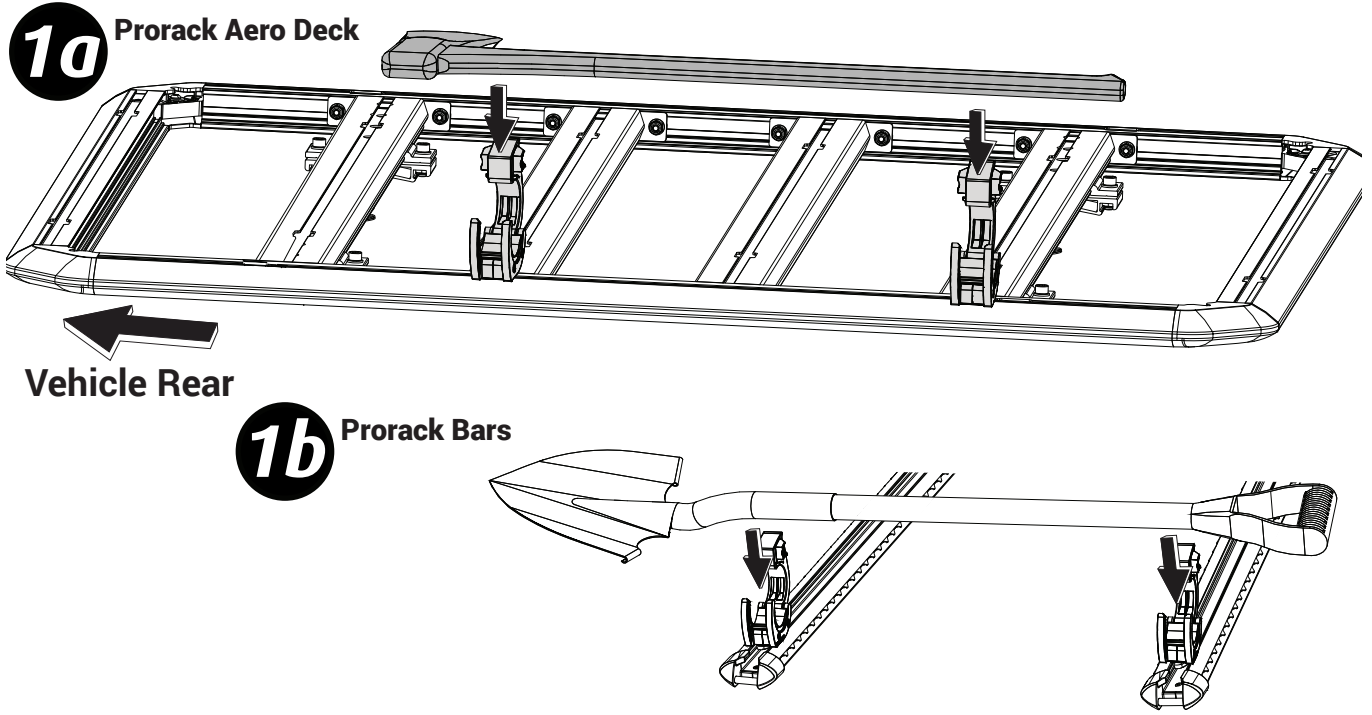
x2

# Usage

## INSERT TOOL

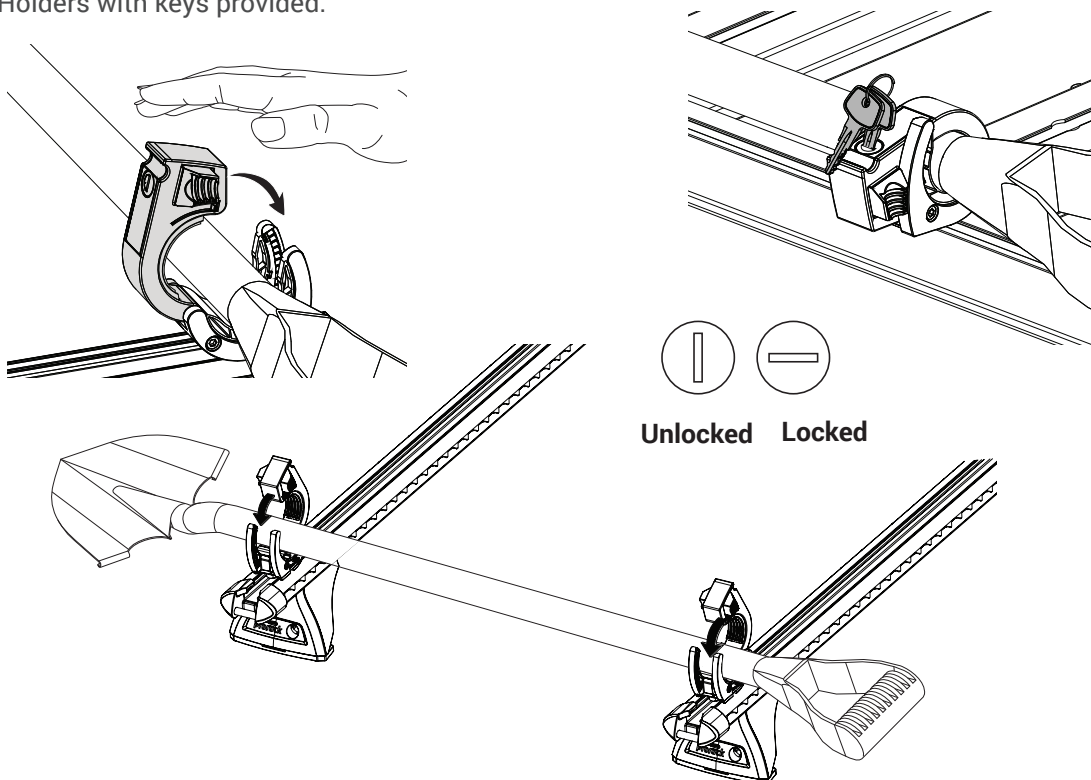
Insert tool or paddle down into Utility Mounts.

Ensure any blades are orientated towards the rear of the vehicle and facing up or away from you. The Utility Mounts can accommodate long handled items with a 30-55 mm shaft diameter including axes, rakes, brooms and oars to a maximum weight of 4 kg.



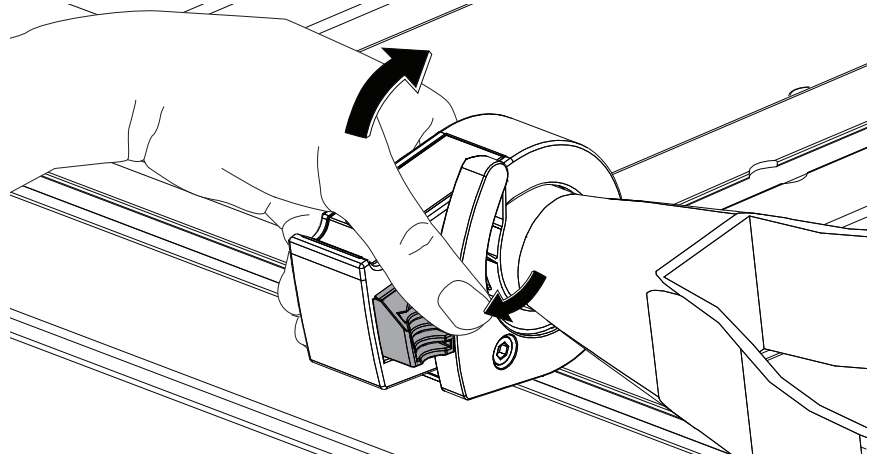
## 2 SECURE TOOL

Secure tool within the Utility Mount by closing the top claw down over tool handle and pushing it down as far as it can go. The Rubber pads should be compressed to ensure a firm hold. If desired, lock Utility Holders with keys provided.



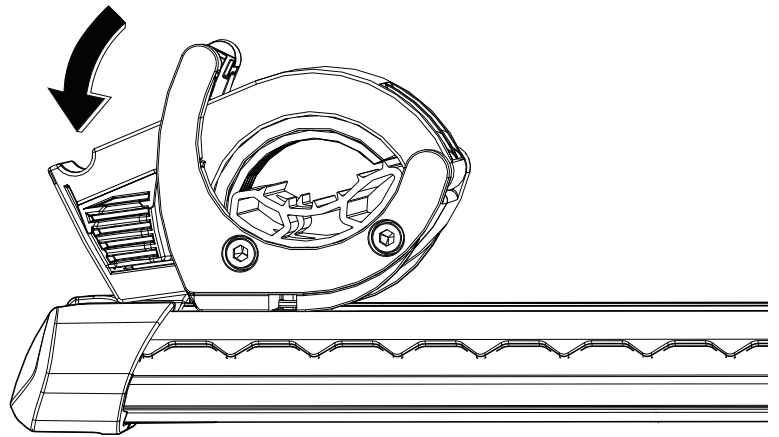
**3****TOOL REMOVAL**

To release, unlock the unit using the keys provided (if needed), and then squeeze the side tabs while pulling the top claw upwards.

**4****WHEN NOT IN USE**

When not carrying an item, close both holders completely to secure rubber pads in place.

If rubber pads are lost, order item SP209 for a replacement kit.



## **Maintenance**

- Check accessory is securely attached whenever you refit it to the vehicle. If the unit feels loose, refer to the fitting instructions and readjust.
- Regularly check all fasteners. This includes all attached accessories and roof racks.
- Clean with hot soapy water and sponge as required.

## **Caution**

- The Utility Mounts can carry up to 4 kg of equipment per pair. Ensure all items are securely attached.
- Ensure that all loads are distributed evenly and are fastened securely.
- A loaded roof rack system can alter the performance of your vehicle. Be especially aware of the effects of side winds, changing of direction, and braking performance. Avoid rapid acceleration and deceleration. Drive Carefully.
- Never drive into a car wash with the roof rack system or accessories fitted.
- Do not exceed the vehicle manufacturer's roof load rating. Total load equals weight of roof racks + accessories + cargo/ equipment.



### **Prorack**

17 Hinkler Court, Brendale  
QLD 4500, Australia

### Freephone

AU: 1800 143 548  
NZ: 0800 4776 722

[www.prorack.com.au](http://www.prorack.com.au)  
[www.prorack.co.nz](http://www.prorack.co.nz)