



Inline LED Light Bracket

First Time Installation

- Please read instructions carefully before installation.
- Check the contents of kit. Contact your Prorack dealer if any parts appear to be missing or damaged.
- Clean your roof racks/Aero Deck prior to fitting the Inline LED Light Bracket.
- Place these instructions in the vehicle's glove box after installation in complete.

Important Warning

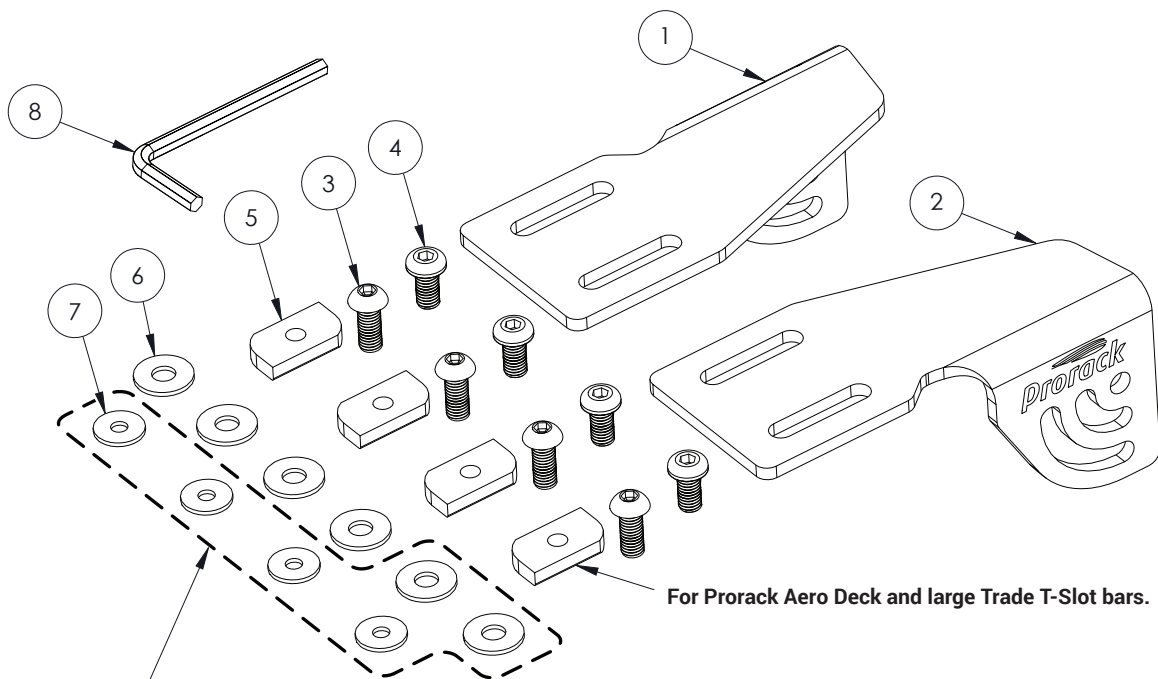
- It is critical that all Prorack racks and accessories be properly and securely attached to your vehicle. Improper attachment could result in an automobile accident, and could cause serious bodily injury or death to you or to others.
- You are responsible for securing the racks and accessories to your car, checking the attachments prior to use, and periodically inspecting the products for adjustment, wear, and damage.
- If you do not understand all of the instructions and cautions, or if you have no mechanical experience and are not thoroughly familiar with the installation procedures, you should have the product installed by a professional installer such as a roof rack specialist.
- Refer to local laws regarding the permitted placement and quantity of Light Bars.
- Do not use with curved bars.



AERO DECK AND LIGHT BAR SOLD SEPARATELY

Kit Contents

Item	Component	Qty	Item	Component	Qty
1	Inline LED Light Bracket LH	1	5	M8 Thick Slot Nut	4
2	Inline LED Light Bracket RH	1	6	M8 Washer	6
3	M8 x 20 Button Head Capscrew	4	7	M6 Washer	4
4	M8 x 16 Button Head Capscrew	4	8	Allen Key	1



For light bar if not supplied with light bar.

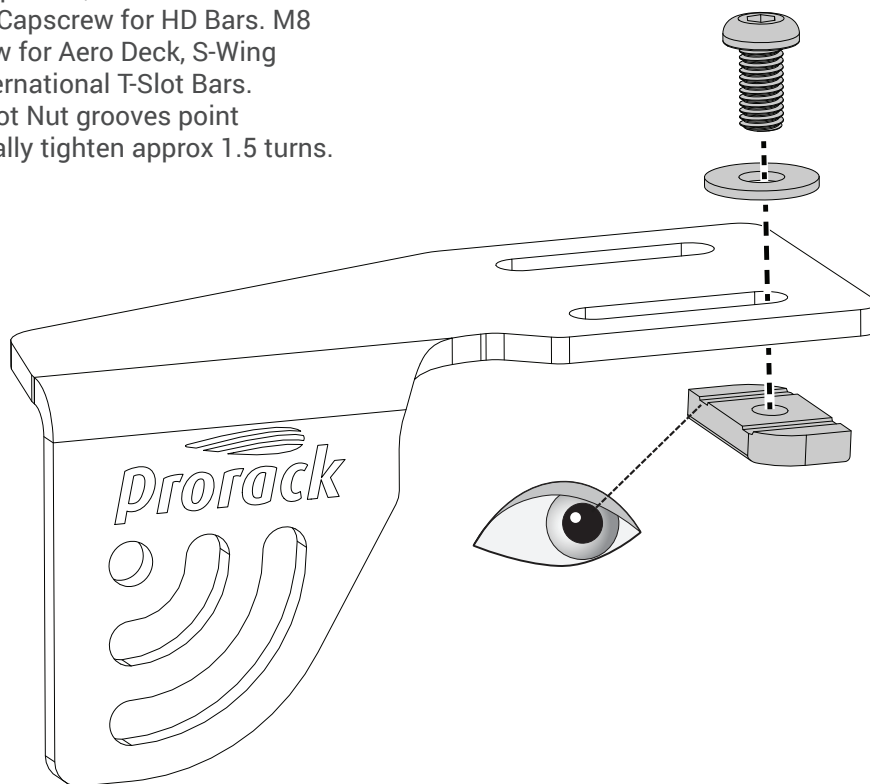
For Prorack Aero Deck and large Trade T-Slot bars.

Installation

Installation with Aero Deck and HD Bars

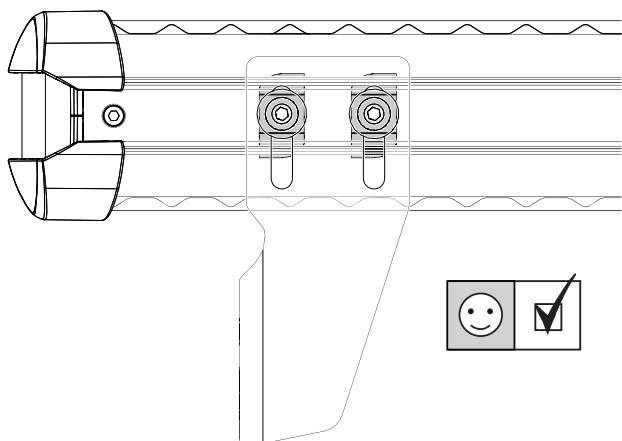
1 ASSEMBLE PARTS

Attach the Capscrew, Washer and Slot Nut. M8 x 20 Capscrew for HD Bars. M8 x 16 Capscrew for Aero Deck, S-Wing and other International T-Slot Bars. Ensure the Slot Nut grooves point upwards Initially tighten approx 1.5 turns.



2a INSTALL BRACKET TO HD BARS

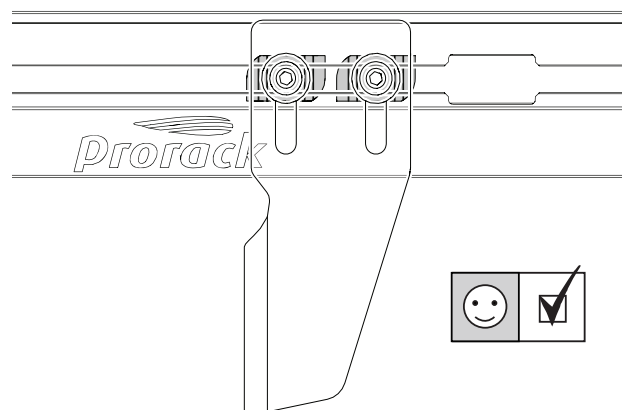
For HD Bar installation turn the Slot Nut to be parallel with slot on HD Bar. When conveniently located turn the slot nut 90 Degrees within the HD Bar slot.



x2

2b INSTALL BRACKET TO AERO DECK

For Aero Deck installation insert Slot Nut into the Aero Deck parallel to the slot as shown. Slide to location.

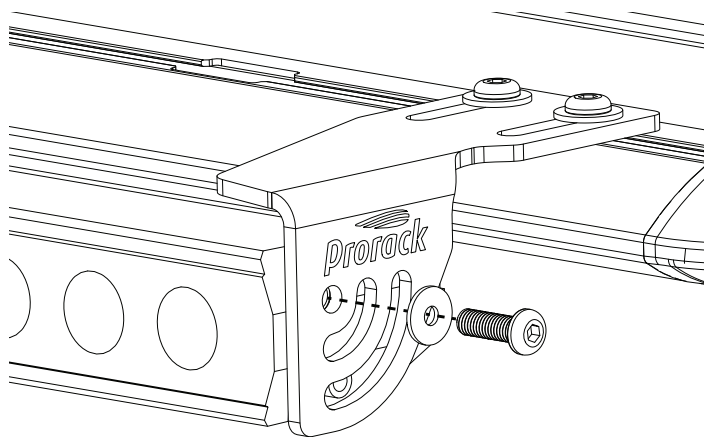


x2

3 ATTACH LIGHT BAR TO BRACKET

Attach the Light Bar to the Bracket. Leave loose. Refer to the Manufacturers Instructions for installation of the Light Bar.

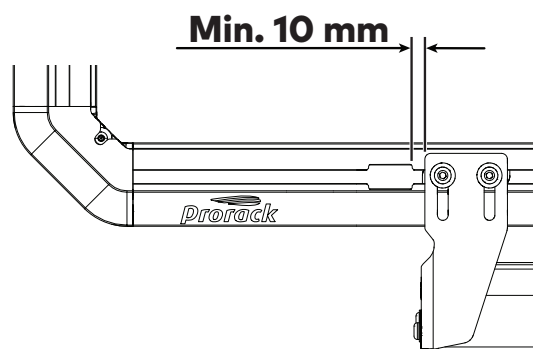
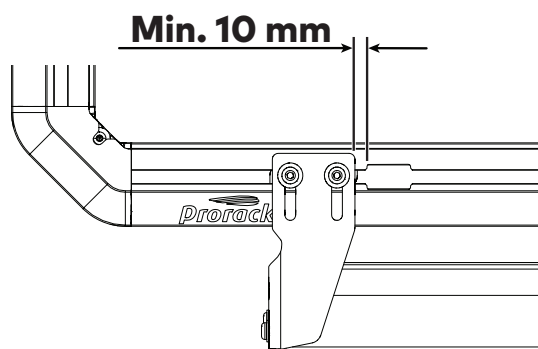
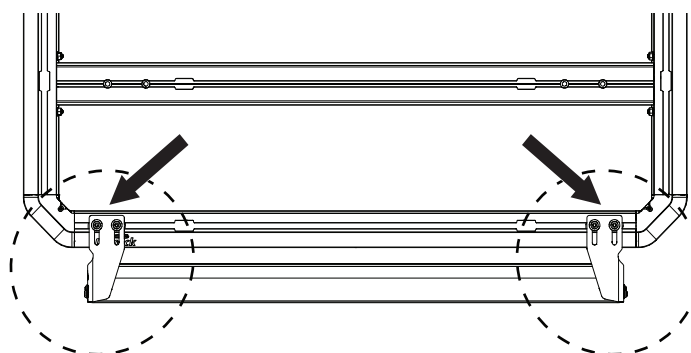
Maximum weight of the Light Bar not to exceed 9.0 kg.



x2

4 SECURE BRACKETS

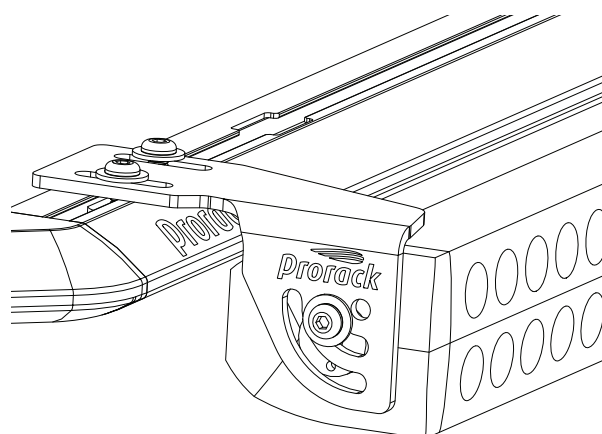
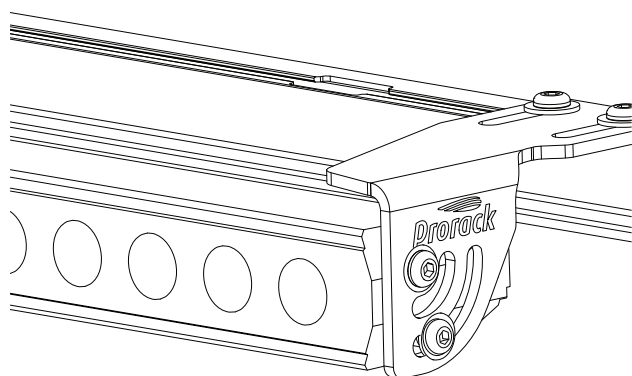
Adjust brackets to be equal distance apart from one another, snug down the screw so the Inline LED Light Bracket is not drooping. Then completely secure the Light Bar to the Brackets using the Light Bar manufactures specifications. Lastly tighten the Brackets to the Aero Deck or bars. Torque screws to 8 Nm.



x2

5 LIGHT BAR OPTIONS

Single Row or Double Row Light Bars can be attached with the Inline LED Light Bar Bracket.



Maintenance

- Check accessory is securely attached whenever you refit it to the vehicle. If the unit feels loose, refer to the fitting instructions and readjust.
- Regularly check all fasteners. This includes all attached accessories and roof racks.
- Clean with hot soapy water and sponge as required.

Caution

- Ensure all items are securely attached.
- Ensure that all loads are distributed evenly and are fastened securely.
- A loaded roof rack system can alter the performance of your vehicle. Be especially aware of the effects of side winds, changing of direction, and braking performance. Avoid rapid acceleration and deceleration. Drive Carefully.
- Make sure all loads are securely fastened with non-elastic Straps. Check regularly during longer journeys.
- Never drive into a car wash with the roof rack system or accessories fitted.
- Do not exceed the vehicle manufacturer's roof load rating. Total load equals weight of roof racks + accessories + cargo/ equipment.



Prorack
17 Hinkler Court, Brendale
QLD 4500, Australia

Freephone
AU: 1800 143 548
NZ: 0800 4776 722

www.prorack.com.au
www.prorack.co.nz

ALL CONTENT SUBJECT TO YAKIMA AUSTRALIA PTY LTD COPYRIGHT © 2023