

## First Time Installation

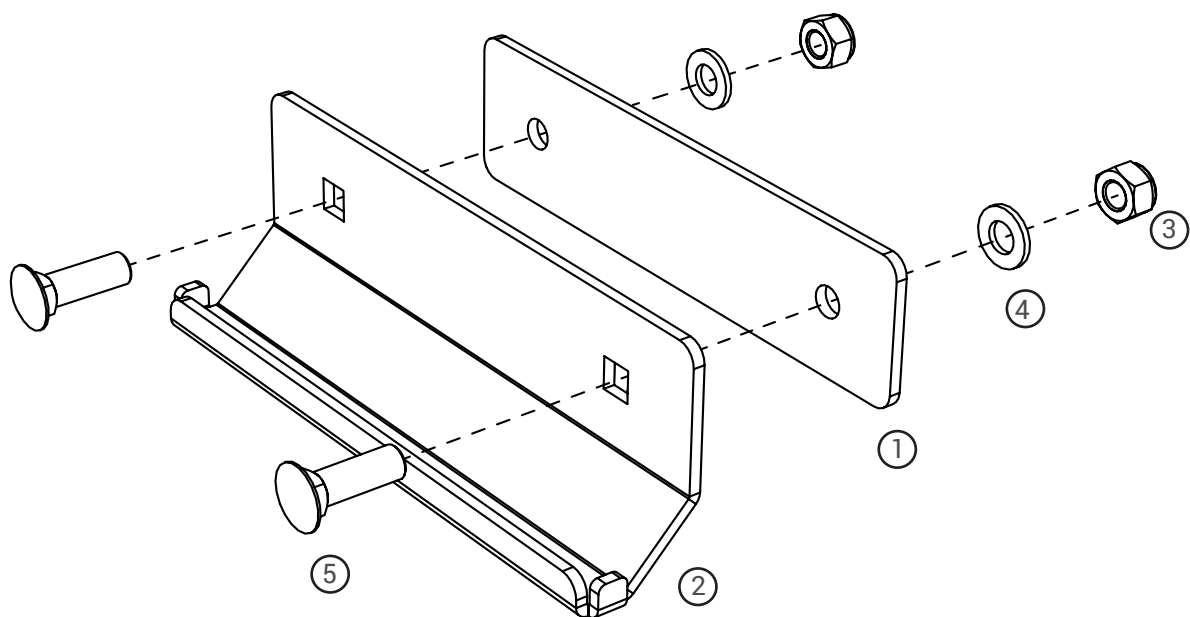
- Please read instructions carefully before installation.
- Check the contents of kit. Contact your Prorack dealer if any parts appear to be missing or damaged.
- Clean your roof racks prior to fitting the rain gutter.

## Important Warning

- It is critical that all Prorack racks and accessories be properly and securely attached to your vehicle. Improper attachment could result in an automobile accident, and could cause serious bodily injury or death to you or to others.
- You are responsible for securing the racks and accessories to your car, checking the attachments prior to use, and periodically inspecting the products for adjustment, wear, and damage.
- If you do not understand all of the instructions and cautions, or if you have no mechanical experience and are not thoroughly familiar with the installation procedures, you should have the product installed by a professional installer such as a roof rack specialist.

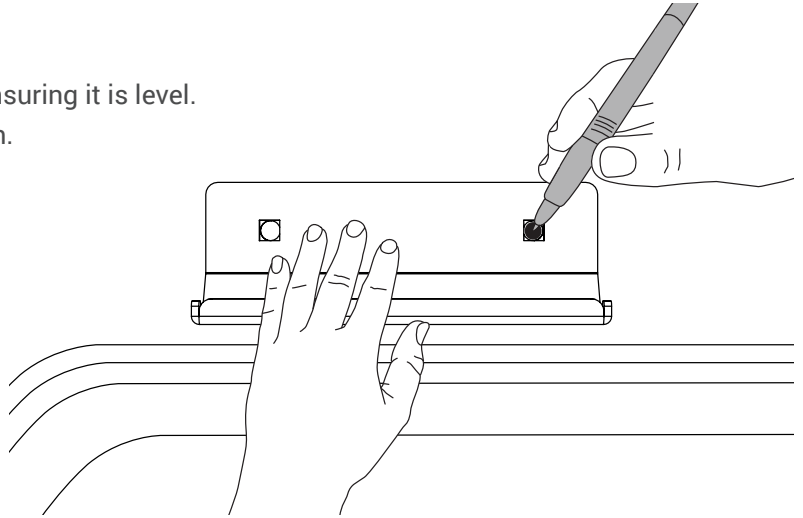
## Kit Contents

Item	Component	PR3202
1	Artificial Rain Gutter Backing Plate	2
2	Artificial Rain Gutter Bracket	2
3	M8 Nyloc Nut	4
4	M8 Washer	4
5	M8 Coach Bolt	4



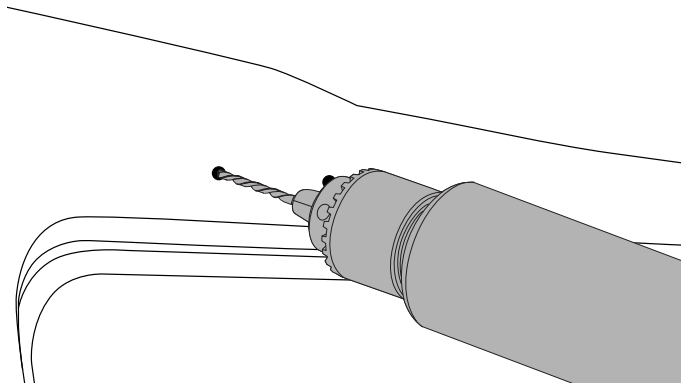
## 1 Position Artificial Rain Gutter

Position Bracket onto vehicle canopy, ensuring it is level.  
Mark hole positions using a marking pen.



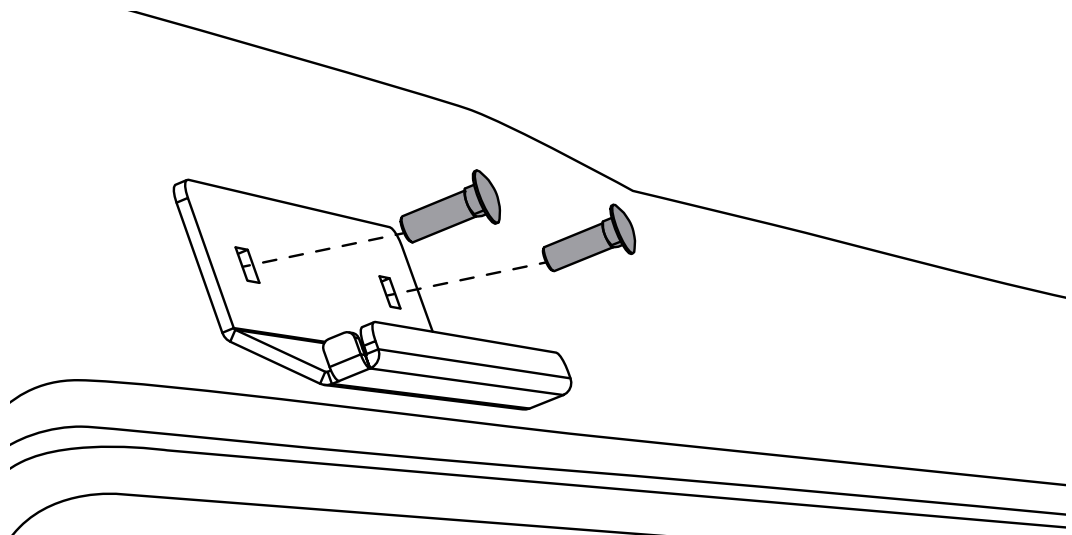
## 2 Drill Holes

Using a 8.5mm drill bit, drill marked holes using a dowelling twist or equivalent drill. Clean swarf from holes and surface.



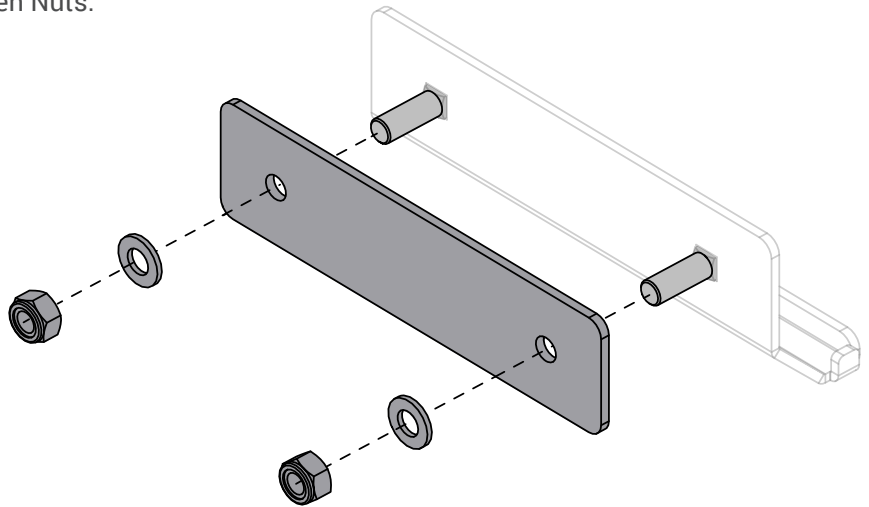
## 3 Insert Coach Bolts

Insert the 2 x M8 Coach Bolts through the Bracket holes, ensuring that the square on the bolt aligns with the holes on the bracket. Insert bracket assembly through drilled holes on vehicle.



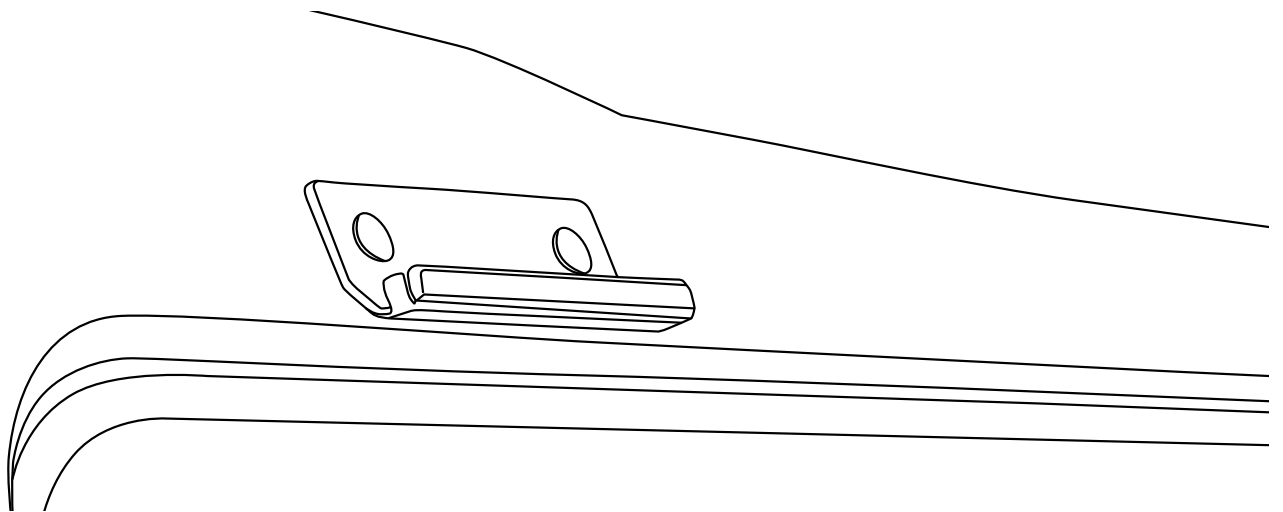
#### **4** INSTALL BACKING PLATE

Position Backing Plate on inside of vehicle canopy, and assemble 1 x M8 Washer and 1 x M8 Nyloc Nut onto each Coach Bolt. Tighten Nuts.



#### **5** Check Secure

Check all Artificial Rain Gutters are secure prior to fitting crossbar legs.



## **Maintenance**

- Check accessory is securely attached whenever you refit it to the vehicle. If the unit feels loose, refer to the fitting instructions and readjust.
- Regularly check all fasteners. This includes all attached accessories and roof racks.
- Clean with hot soapy water and sponge as required.

## **Caution**

- A loaded roof rack system can alter the performance of your vehicle. Be especially aware of the effects of side winds, changing of direction, and braking performance. Avoid rapid acceleration and deceleration. Drive Carefully.
- Make sure all loads are securely fastened with the Zip Straps. Check regularly during longer journeys.
- Never drive into a car wash with the roof rack system or accessories fitted.
- Do not exceed the vehicle manufacturer's roof load rating. Total load equals weight of roof racks + accessories + cargo/ equipment.



**Prorack**  
17 Hinkler Court, Brendale  
QLD 4500, Australia

Freephone  
AU: 1800 143 548  
NZ: 0800 4776 722

[www.prorack.com.au](http://www.prorack.com.au)  
[www.prorack.co.nz](http://www.prorack.co.nz)