

X-BAR UNIVERSAL INSTRUCTIONS

Assembly Instructions for Universal X-Bar (X9)

Kit contains:

- | | |
|--------------------|---|
| 2 x crossbars | 1 x hex key |
| 4 x leg assemblies | 4 x plastic nuts |
| 4 x clamps | |
| 2 x keys | Contact your Prorack dealer if any parts are missing. |

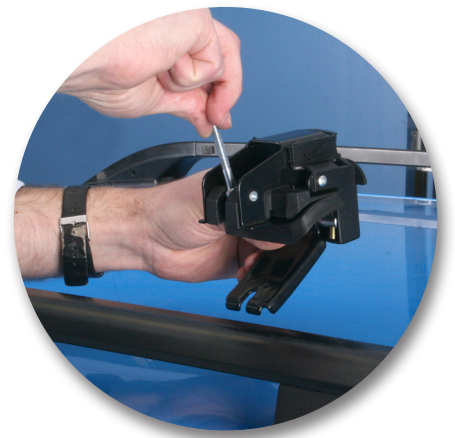
Fitting Instructions



Using a key, unlock and remove the locking covers from the leg assemblies.



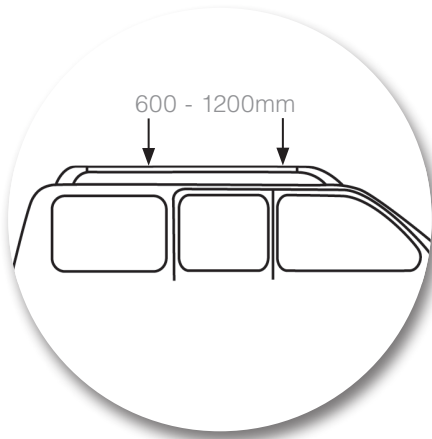
Fit the clamp to the leg.



Fit the leg and clamp assembly to the vehicle side-rail taking care to hold the adjustment screw clear of the rail.



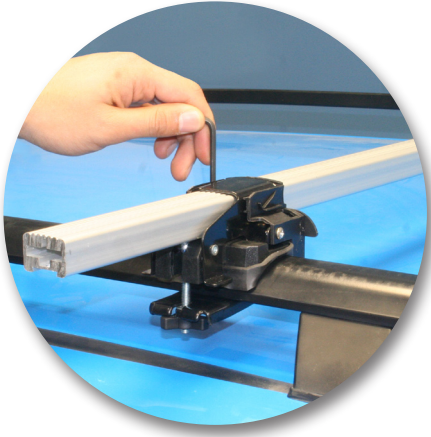
Fit the plastic nut onto the adjustment screw and swing it down under the clamps. Tighten the nut until the clamp just touches the underside of the side-rail.



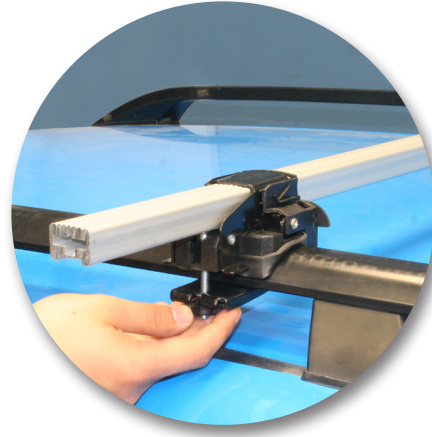
Repeat the first four steps for the other three legs in the approximate position shown.



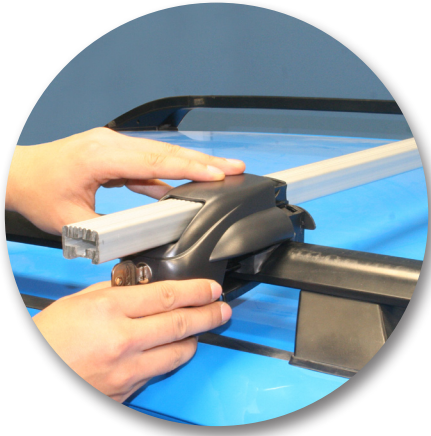
Slide the crossbars through the legs and even up the amount of crossbar that protrudes through the legs on both sides of the vehicle.



Using the hex key, tighten up the 2 screws in each leg at the rear, taking care to tighten both sides evenly.



Fully tighten the plastic nut at the front of the leg.



Slide the covers onto the legs. Lock, using the key.



Firmly push end cap into the end of the crossbar.

Important Instructions for Use

The rack is by design, a safe product. Unfortunately, the use, application and operation of the rack system is outside Prorack's control and must therefore be your responsibility. When fitted and used correctly and maintained adequately, this rack will provide many years of dependable service.

The following list provides an effective check to ensure all loads are correctly mounted on the rack.

- Check the tightness of the screw attachments regularly, especially after traveling on rough surfaces. Also check attachments after first couple of uses after newly assembled.
- Spread the load evenly across and between the bars.
- Maximum loads: 60kg (30kg per bar)
- Load should not overhang sides of the roof rack.
- Ensure all loads are securely fastened. Check regularly during longer journeys.

- A loaded rack system can alter the performance of your vehicle. Be especially aware of the effects of cross-winds, changes in direction and braking performance. Avoid rapid acceleration and deceleration. Drive carefully.
- When carrying long loads, such as canoes or pipes, always use the appropriate accessory and tie the front and back of the load to the “tie-down hooks” supplied with the accessory, to avoid the load being lifted by the airflow.
- If the load overhangs the rear of the vehicle, tie a flag at the rear end of the load to improve visibility for the following vehicles.
- On vans and wagons ensure tailgate opens clear of rear of load.

Available Accessories

- Kayak holder
- Cycle holder
- Fishing rod holder
- Ski holder (lockable)
- Universal ski holder
- Aerodynamic roof boxes
- Snowboard holder (lockable)

Warranty & Disclaimer

1. Where the product is supplied to the customer for other than business purposes within the meaning of section 43 of the New Zealand Consumer Guarantees Act 1993, the provisions of that Act shall apply. It is important that anyone who fits or uses this product does so in accordance with the manufacturers instructions.
2. Where the product is supplied to the customer for business purposes within the meaning of section 43 of the New Zealand Consumer Guarantees Act 1993, the provisions of that Act shall have no effect and the clauses below shall apply. Where the product is supplied and purchased in Australia, the following shall apply:
 - a) THE SUPPLIER WARRANTS the product to be free from defects in materials and/or workmanship for a period of two (2) years from the date of original purchase (the warranty period). Proof of purchase is required. Subject to the limitations and exclusions set out below, the Supplier hereby agrees to remedy any defects in materials or workmanship becoming apparent during the warranty period, by replacing or repairing any defective product or component (at its option) free of charge to the purchaser in respect of replacement parts or labour. Any defective product or component must be notified and where practicable, returned at the purchaser's expense to the Supplier immediately upon discovery of the alleged defect and no attempt made on the part of the purchaser to repair it.
 - b) EXCEPTIONS, EXCLUSIONS AND LIMITATIONS TO WARRANTY. The product and/or its components must be fitted/assembled in accordance with the Supplier's written instructions. This warranty does not cover defects, loss or damage resulting a circumstances beyond the Supplier's control including, but not limited to misuse, overloading, or failure to assemble and/or fit the product or component in accordance with the Supplier's written instructions. Nor does the warranty cover defects, loss or damage resulting from accidents, unlawful use of the vehicle or defects/inconsistencies in the vehicle on which the product or component is fitted. Liability for direct, indirect, special, punitive, incidental, exemplary, contractual or consequential damage or loss arising from defects, faulty materials or design omissions or negligence or workmanship in the product or its components is hereby expressly excluded. Certain Commonwealth legislation, including the Trade Practices Act 1974, and other State and Territorial legislation confers upon purchasers rights which cannot be excluded from or be restricted or modified by contract. Any conditions, guarantees and/or warranties implied by law and incapable of exclusion are deemed to be expressly incorporated herein. Nothing herein contained is intended nor shall be permitted to be inconsistent with any such conditions, guarantees and/or warranties. To the extent permitted by legislation all conditions, guarantees and/or warranties such as implied warranties which are capable of exclusion are hereby expressly excluded and negated.