

First Time Installation

- Please read instructions carefully before installation.
- Check the contents of kit. Contact your Prorack dealer if any parts appear to be missing or damaged.
- Clean your roof racks prior to fitting the Shovel Holder.

Important Warning

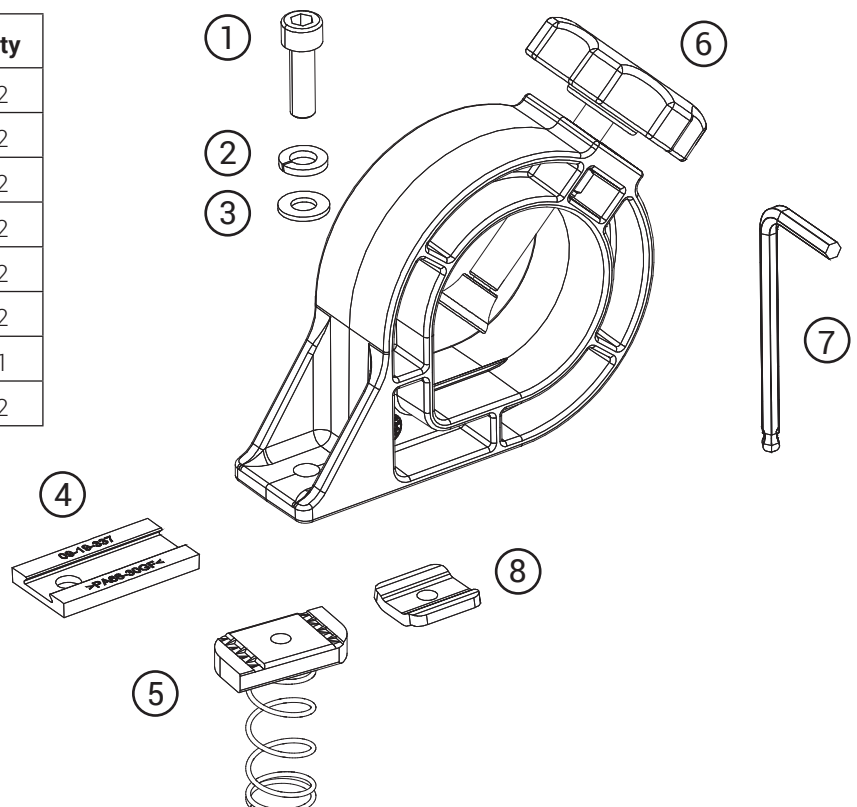
- It is critical that all Prorack racks and accessories be properly and securely attached to your vehicle. Improper attachment could result in an automobile accident, and could cause serious bodily injury or death to you or to others.
- You are responsible for securing the racks and accessories to your car, checking the attachments prior to use, and periodically inspecting the products for adjustment, wear, and damage.
- If you do not understand all of the instructions and cautions, or if you have no mechanical experience and are not thoroughly familiar with the installation procedures, you should have the product installed by a professional installer such as a roof rack specialist.

Tools Required

- Allen Key (provided)
- Tape Measure

Kit Contents

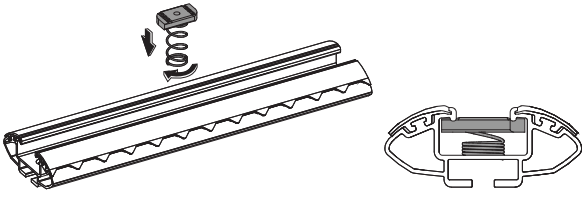
Item	Component	Qty
1	M6 x 20 mm Capscrew	2
2	M6 Spring Washer	2
3	M6 Flat Washer	2
4	Prorack HD Channel Adaptor	2
5	M6 Spring Nut	2
6	Shovel Holder Assembly	2
7	5 mm Allen Key	1
8	M6 Sliding Nut	2



PR3204

Installation with Prorack HD, Tradesman and other Heavy Duty Crossbars

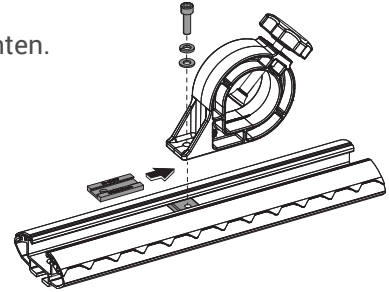
- 1** Place 1x M6 Spring Nut into each crossbar channel. Position where you want the Shovel Holders to be. Push down and twist Spring Nut to lock into place.



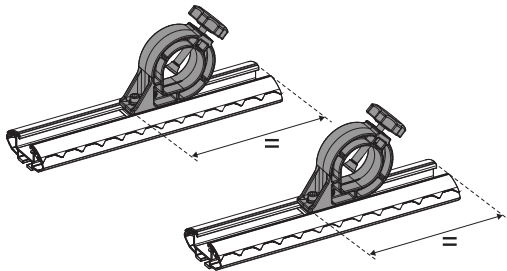
- 2** Slide Channel Adaptor onto the underside of the Shovel Holder.

Fasten the assemblies with Channel Adaptors onto the crossbars using 1x M6 Capscrew, Spring Washer, and Flat Washer.

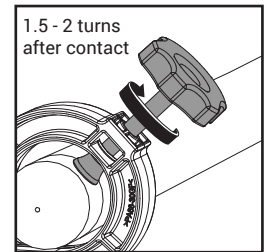
Do not tighten.



- 3** Position each Shovel Holder equally from the ends on both crossbars. Tighten Capscrews with Allen key to 4-5 N/m.

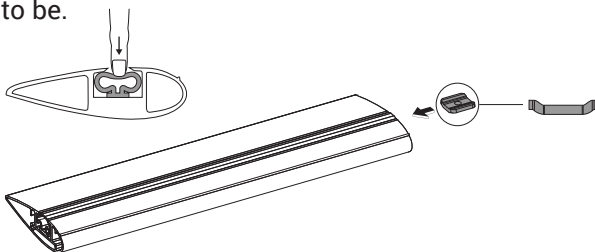


- 4** To secure shovel, wind knob down until the rubber pad contacts the shovel handle, then apply a further 1.5 - 2 turns only.



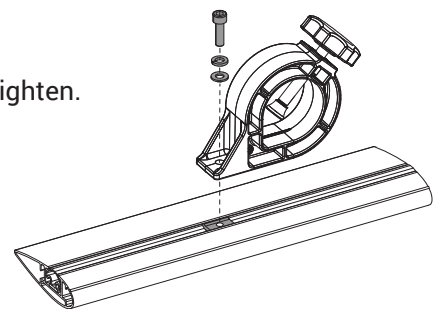
Installation with Prorack S-wing and international T-slot crossbars

- 1** Push down rubber infill and slide 1x M6 Sliding Nut into each crossbar channel. Position where you want the accessory to be.

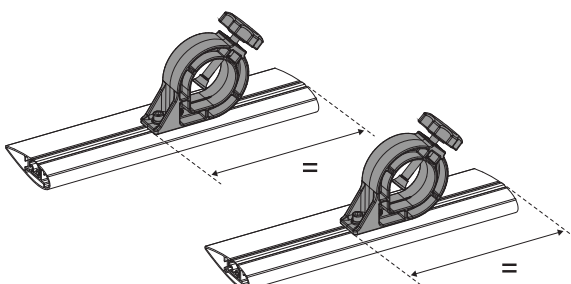


- 2** Fasten the assemblies onto the crossbars using 1x M6 Capscrew, Spring Washer, and Flat Washer.

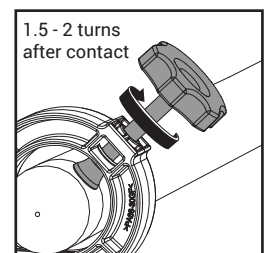
Do not tighten.



- 3** Position each Shovel Holder equally from the ends on both crossbars. Tighten Capscrews with Allen key to 4-5 N/m.



- 4** To secure shovel, wind knob down until the rubber pad contacts the shovel handle, then apply a further 1.5 - 2 turns only.



Recommendations

- For safety reasons, it is recommended to face the shovel blade towards the rear of the vehicle, and the handle towards the front of the vehicle.
- Check accessory is securely attached whenever you refit it to the vehicle. If the unit feels loose, refer to the fitting instructions and readjust.
- Regularly check all fasteners. This includes all attached accessories and roof racks.
- Ensure that all loads are distributed evenly across the roof racks and are fastened securely.
- Fit the accessory on passenger side of the vehicle when it is practical to do so.

Caution

- Over tightening of the knob when securing a shovel may damage the shovel or rubber pad.
- A loaded roof rack system can alter the performance of your vehicle. Be especially aware of the effects of side winds, changing of direction, and braking performance. Avoid rapid acceleration and deceleration. Drive Carefully.
- Make sure all loads are securely fastened with non-elastic straps. Check regularly during longer journeys.
- Never drive into a car wash with a roof rack system or accessories fitted.
- Do not exceed the vehicle manufacturer's roof load rating. Total load equals weight of roof racks + accessories + cargo/ equipment.
- The speed driven must be suited to the load transported and to official speed limits.
- Any changes made to the roof racks and accessory racks as well as the use of spare parts or accessories other than those supplied by the manufacturer will lead to the lapsing of the manufacturer's warranty and liability for any material damage or accidents. You should observe these instructions to the letter and only use the original parts supplied.



Prorack
17 Hinkler Court, Brendale
QLD 4500, Australia

Freephone
AU: 1800 143 548 www.prorack.com.au
NZ: 0800 4776 722 www.prorack.co.nz