

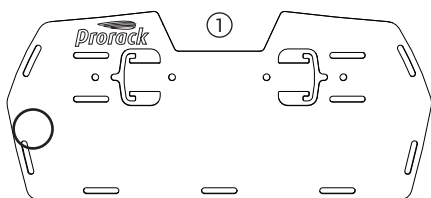


Number Plate Holder

First Time Installation

- Please read instructions carefully before installation.
- Check the contents of kit. Contact your Prorack dealer if any parts appear to be missing or damaged.
- Place these instruction in the vehicle's glove box after installation is complete.

Kit Contents

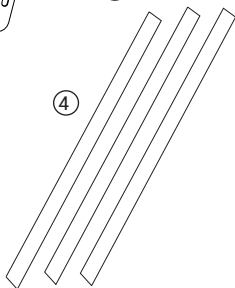


3



2

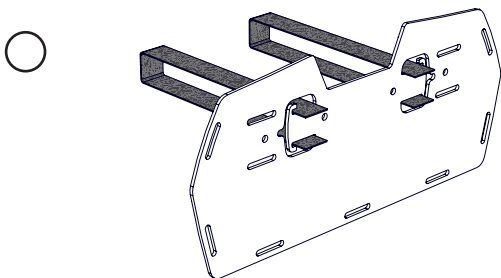
4



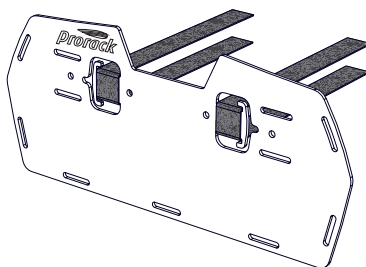
Item #	Component	Qty
1.	Back Plate	1
2.	Knurled Nuts	2
3.	Screws	2
4.	Velcro Straps	3

1 Insert Velcro Straps

Take x2 Velcro Straps and thread through the front of Number Plate Holder as shown.



Pull Velcro Straps completely through as shown.

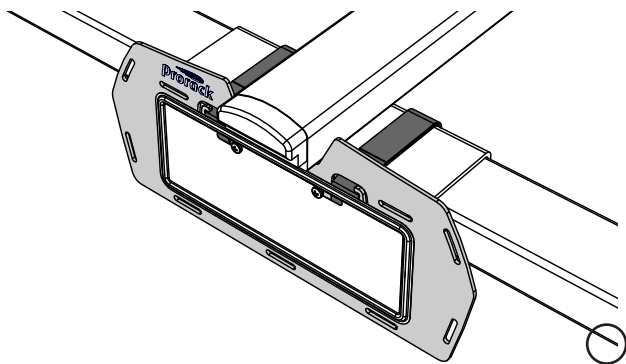


Note:

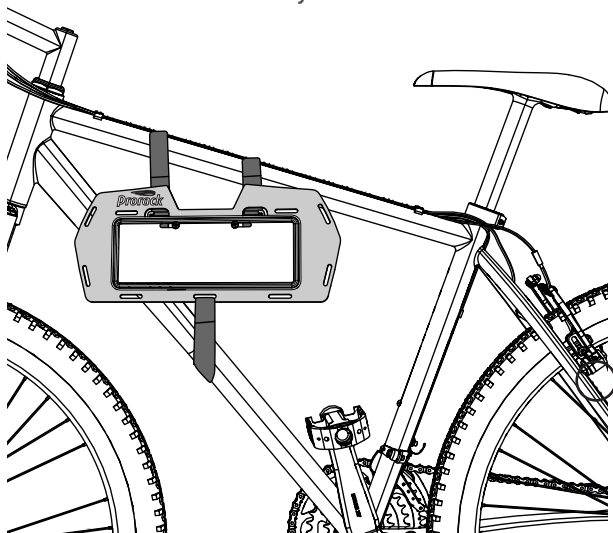
Number Plate Holder can also be attached to other carriers using the other slot combinations.

4 Attach Number Plate Holder

Attach your assembled Number Plate Holder to your bike carrier using the 2x Velcro Straps as shown below.



The remaining Velcro Strap can be threaded through one of the lower slots in Number Plate Holder to prevent swinging if you opt to attach Number Plate Holder to the rearmost bicycle on the carrier.




Prorack®
Ready for anything

Prorack
17 Hinkler Court, Brendale
QLD 4500, Australia

Freephone
AU: 1800 143 548
NZ: 0800 4776 722

www.prorack.com.au
www.prorack.co.nz

ALL CONTENT SUBJECT TO YAKIMA AUSTRALIA PTY LTD COPYRIGHT © 2018

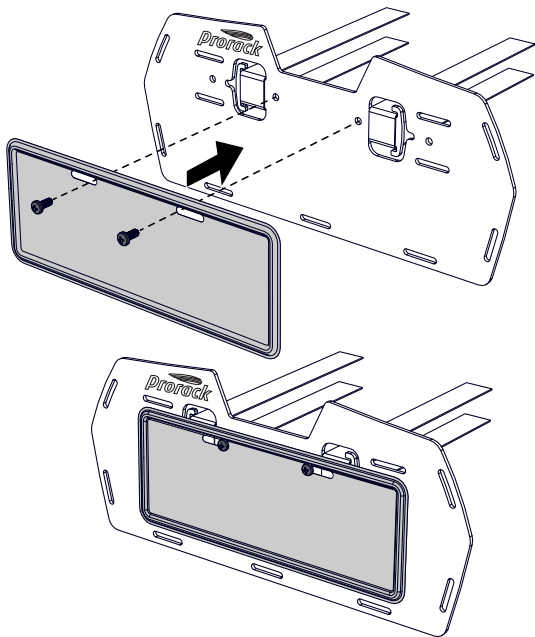
094 ♦ RACK

BIKE RACK NUMBER PLATE



2 Position Number Plate

Position your number plate onto the Number Plate Holder. Using the x2 Screws, line up the Screws through slots in your number plate with the appropriate holes in Number Plate Holder.



3 Secure Number Plate

Turn Number Plate Holder over carefully ensuring that the screws don't fall out. Spin the Knurled Nuts onto screw threads. Finger tighten nuts until number plate is secure on Number Plate Holder.

